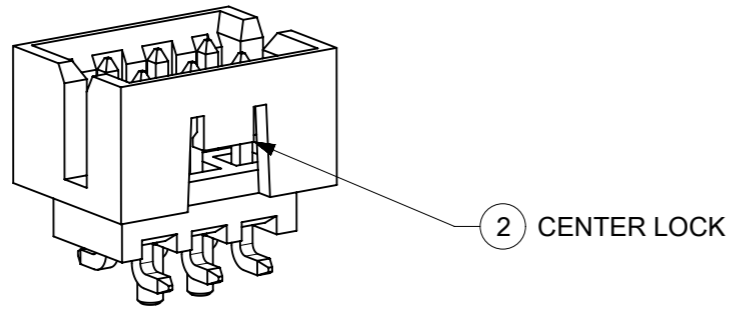
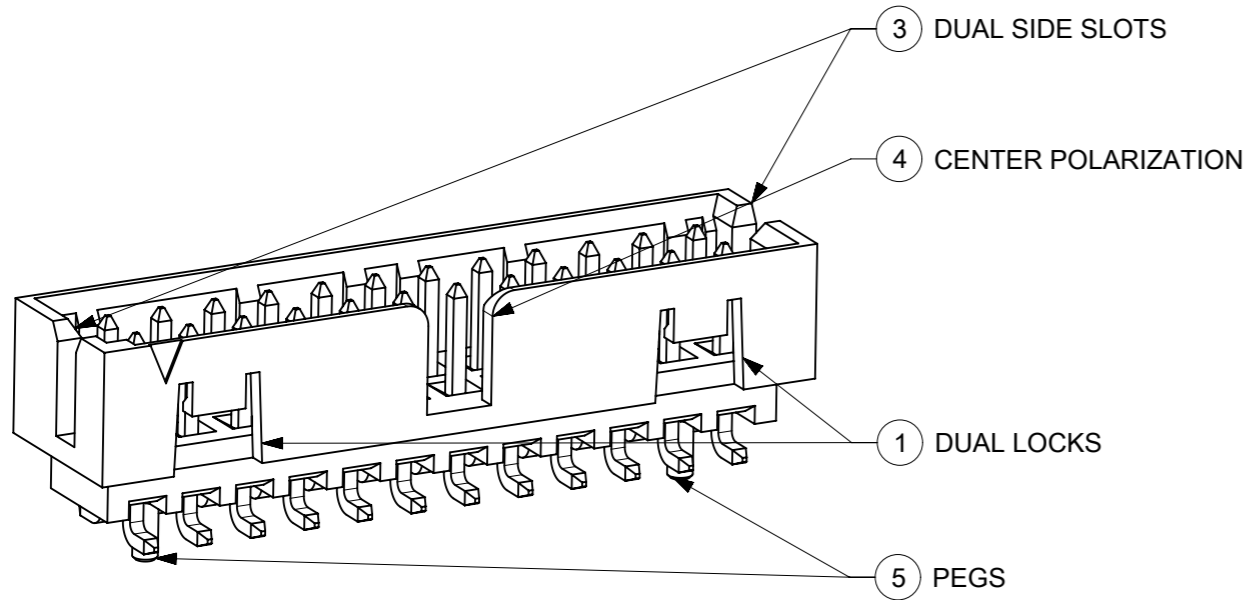


# FEATURES SELECTION GUIDE



2 CENTER LOCK



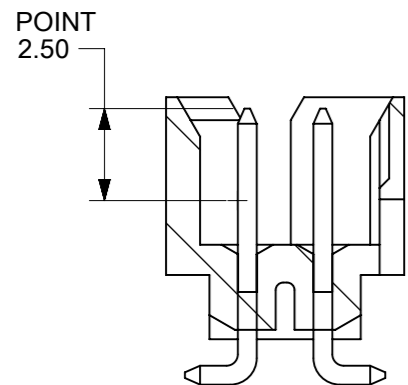
3 DUAL SIDE SLOTS

4 CENTER POLARIZATION

1 DUAL LOCKS

5 PEGS

## PLATING MEASUREMENT

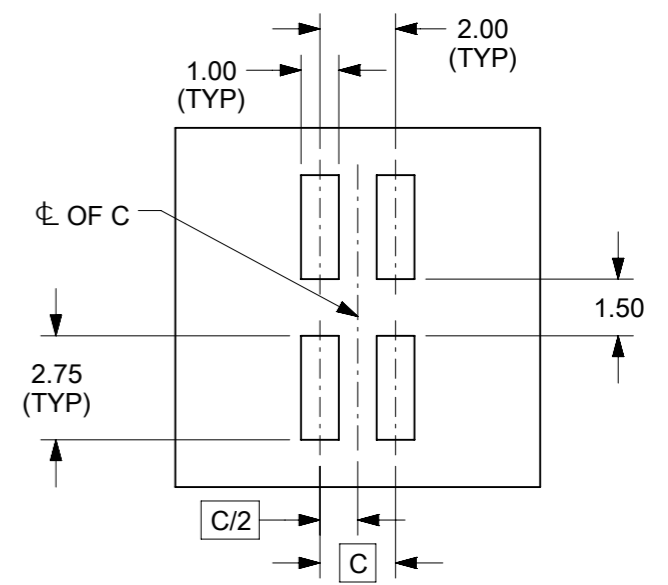
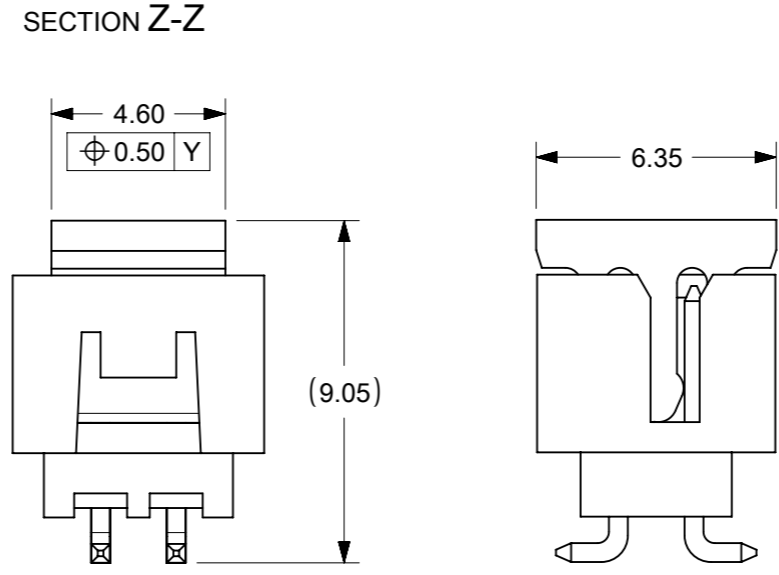
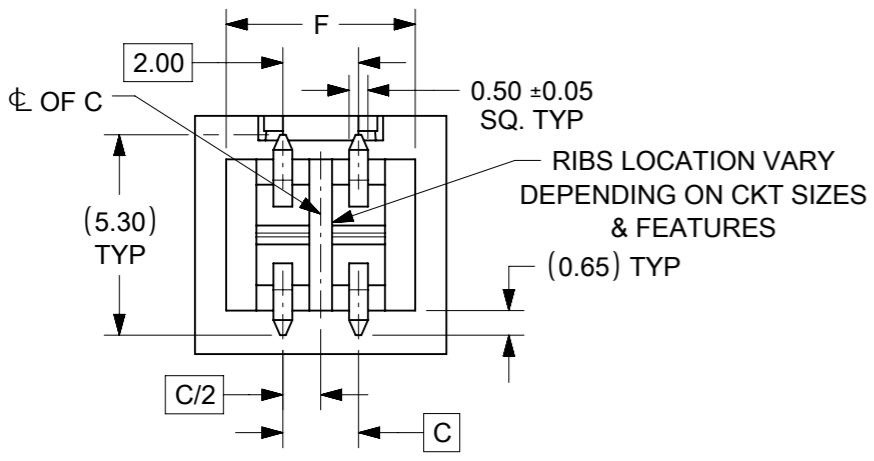
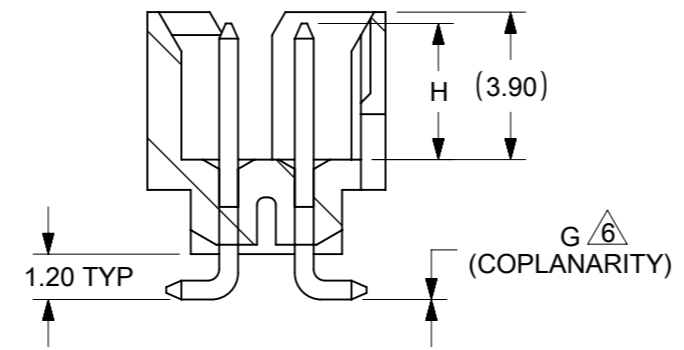
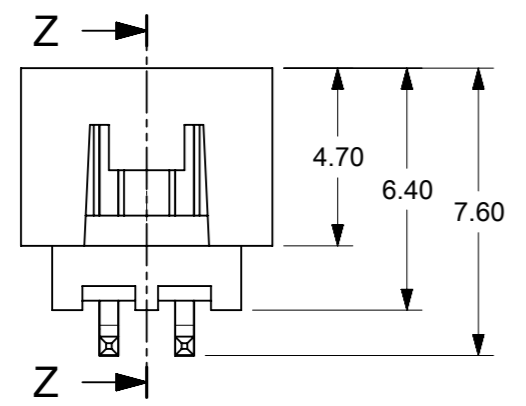
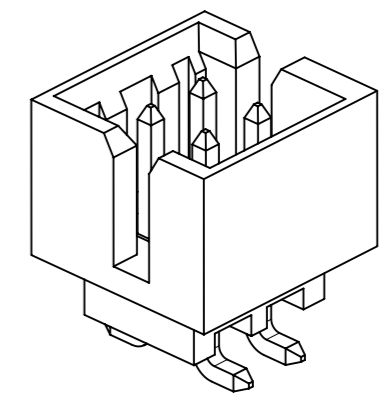
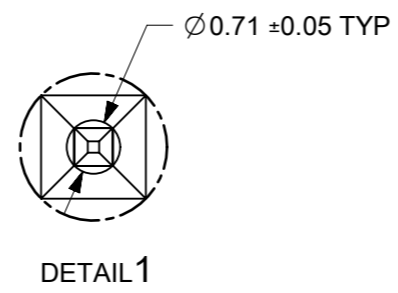
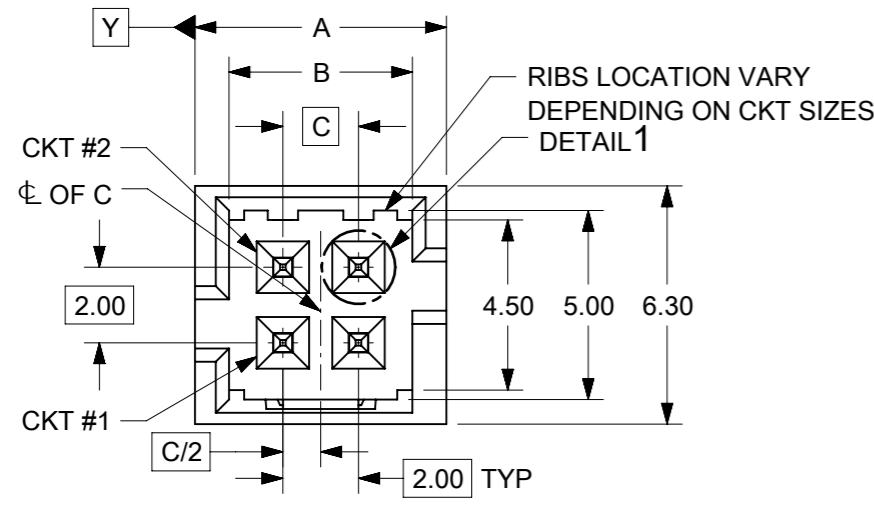


| CIRCUIT SIZE | FEATURES       |          |                 |                     |      | SHEET NO |
|--------------|----------------|----------|-----------------|---------------------|------|----------|
|              | FRICTION LOCKS |          | DUAL SIDE SLOTS | CENTER POLARIZATION | PEGS |          |
|              | 1 DUAL         | 2 CENTER |                 |                     |      |          |
| 4            | N.A            | N.A      | YES             | N.A                 | N.A  | 2 - 3    |
|              | N.A            | YES      | YES             | N.A                 | N.A  |          |
| 6            | N.A            | N.A      | YES             | N.A                 | N.A  | 4 - 5    |
|              | N.A            | N.A      | YES             | N.A                 | YES  |          |
|              | N.A            | N.A      | YES             | YES                 | N.A  |          |
|              | N.A            | YES      | YES             | N.A                 | N.A  |          |
|              | N.A            | YES      | YES             | N.A                 | YES  |          |
| 8 TO 12      | N.A            | N.A      | YES             | YES                 | YES  | 6 - 7    |
|              | N.A            | N.A      | YES             | YES                 | N.A  |          |
|              | N.A            | YES      | YES             | N.A                 | YES  |          |
| 14 TO 50     | YES            | N.A      | YES             | YES                 | N.A  | 8 - 11   |
|              | YES            | N.A      | YES             | YES                 | YES  |          |

THIS DRAWING CONTAINS INFORMATION THAT IS PROPRIETARY TO MOLEX ELECTRONIC TECHNOLOGIES, LLC AND SHOULD NOT BE USED WITHOUT WRITTEN PERMISSION

|   |            |  |              |                        |                 |                 |  |              |
|---|------------|--|--------------|------------------------|-----------------|-----------------|--|--------------|
| EC NO: 721932<br>DRWN: DANUSA<br>CHK'D: DANUSA<br>REV APPR: MIRAMAKRISHNA | 2022/07/25 | GENERAL TOLERANCES (UNLESS SPECIFIED)                |              | DIMENSION UNITS        | SCALE           |                 |  |              |
|   | 2022/09/20 | MM   | INCH         | MM                     | NTS             |                 |  |              |
|   | 2022/09/20 | 4 PLACES ±   | ±            | DRWN BY                | DATE            |                 | MILLIGRID<br>2MM PITCH, SMT VERTICAL SHROUDED HEADER |              |
|   |            | 3 PLACES ±   | ±            | GMENARLY               | 2015/05/22      |                 |  |              |
|   |            | 2 PLACES ± 0.2                                       | ±            | CHK'D BY               | DATE            |                 |  |              |
|   |            | 1 PLACES ±   | ±            | CGOH                   | 2015/09/21      |                 |  |              |
|   | 0 PLACES ± | ±  | APPR BY      | DATE                   |                 |                 |  |              |
|   |            |  | KHLIM        | 2015/09/22             |                 |                 |  |              |
|   |            | ANGULAR TOL = 3.0                                    | DRAWING SIZE | THIRD ANGLE PROJECTION | SERIES          | MATERIAL NUMBER | CUSTOMER   |              |
|   |            |  | A3           |                        | 87832           | SEE TABLE       | GENERAL MARKET                                       |              |
|   |            | DRAFT WHERE APPLICABLE MUST REMAIN WITHIN DIMENSIONS |              |                        | DOCUMENT NUMBER | DOC TYPE        | DOC PART   | SHEET NUMBER |
|   |            |  |              |                        | SD-87832-0001   | PSD             | 001  | 1 OF 13      |

# 4 CIRCUITS



- NOTES:
- MATERIALS:  
HOUSING & CAP: 30% GF, NYLON, UL94V-0, COLOR: BLACK  
PIN: 0.50mm SQ. PHOSPHOR BRONZE
  - FINISHES: REFER TO PLATING OPTIONS
  - PRODUCT SPECIFICATION: PS-87831-027
  - PACKAGING SPECIFICATION: SEE PACKAGING SPECS TABLE ON SHEET 12
  - MATES WITH: A. MOLEX CRIMP RECEPTACLE HOUSING: 51110 SERIES AND CRIMP TERMINAL: 50394 SERIES  
B. MOLEX 2mm MILLIGRID DUAL ROW IDT: 87568 SERIES  
C. MOLEX 2mm MILLIGRID DUAL ROW RECEPTACLE: 79107 (GOLD PLATED), 78787 (TIN PLATED)
  - COPLANARITY IS TO BE MEASURED BY RESTING THE SOLDER TAIL ON A GAUGE SURFACE
  - BEND DEPRESSION ON SMT TAIL IS ACCEPTABLE SO LONG AS IT DOES NOT AFFECT THE OVERALL COPLANARITY
  - TOP SURFACE OF CAP TO BE FLAT FOR THE PURPOSE OF PICK & PLACE BY VACUUM SUCTION NOZZLE

THIS DRAWING CONTAINS INFORMATION THAT IS PROPRIETARY TO MOLEX ELECTRONIC TECHNOLOGIES, LLC AND SHOULD NOT BE USED WITHOUT WRITTEN PERMISSION

|   |            |   |   |    |     |  |  |
|---|------------|---|---|----|-----|--|--|
| EC NO: 721932<br>DRWN: DANUSA<br>CHK'D: DANUSA<br>REV APPR: MIRAMAKRISHNA | 2022/07/25 | GENERAL TOLERANCES (UNLESS SPECIFIED)<br>DIMENSION UNITS: MM, INCH<br>SCALE: NTS<br>DRWN BY: GMENARLY<br>DATE: 2015/05/22<br>CHK'D BY: CGOH<br>DATE: 2015/09/21<br>APPR BY: KHLIM<br>DATE: 2015/09/22<br>DRAWING SIZE: A3<br>THIRD ANGLE PROJECTION | DIMENSION UNITS: MM, INCH<br>SCALE: NTS   |    |     |  |  |
|   | 2022/09/20 |   | 4 PLACES ±  | MM | NTS |  | MILLIGRID<br>2MM PITCH, SMT VERTICAL SHROUDED HEADER |
|   | 2022/09/20 |   | 3 PLACES ±  | MM | NTS |  |  |
|   |            |   | 2 PLACES ± 0.2  | MM | NTS |  |  |
|   |            |   | 1 PLACES ±  | MM | NTS |  |  |
|   | 0 PLACES ± | MM  | NTS   |    |     |  |  |
|   |            | ANGULAR TOL = 3.0   | PRODUCT CUSTOMER DRAWING  |    |     |  |  |
|   |            | DRAFT WHERE APPLICABLE MUST REMAIN WITHIN DIMENSIONS  | SERIES: 87832<br>MATERIAL NUMBER: SEE TABLE<br>CUSTOMER: GENERAL MARKET                   |    |     |  |  |
|   |            |   | DOCUMENT NUMBER: SD-87832-0001<br>DOC TYPE: PSD<br>DOC PART: 001<br>SHEET NUMBER: 2 OF 13 |    |     |  |  |

4 CIRCUITS

| CKT SIZE | ASSY P/N WITHOUT CAP IN TUBE | ASSY P/N WITH CAP IN TUBE | ASSY P/N WITH CAP IN T&R | T&R OPTIONS (SEE SHEET 12) | PLATING OPTIONS | FRICTION LOCKS |        | DUAL SIDE SLOTS | CENTER POLARIZATION | PEGS | DIMENSION |      |      |     |     |      |            |           |
|----------|------------------------------|---------------------------|--------------------------|----------------------------|-----------------|----------------|--------|-----------------|---------------------|------|-----------|------|------|-----|-----|------|------------|-----------|
|          |                              |                           |                          |                            |                 | DUAL           | CENTER |                 |                     |      | A         | B    | C    | D   | E   | F    | G (COPLAN) | H         |
| 4        | 87832-0460                   | 87832-0462                | 87832-5162               | 1                          | 1               | N.A            | N.A    | YES             | N.A                 | N.A  | 6.65      | 4.85 | 2.00 | N.A | N.A | 5.00 | 0.10       | 3.60±0.20 |
|          | 87832-0420                   | 87832-0422                | 87832-5122               | 1                          | 2               |                |        |                 |                     |      |           |      |      |     |     |      |            |           |
|          | 87832-0421                   | 87832-0423                | 87832-5123               | 1                          | 3               |                |        |                 |                     |      |           |      |      |     |     |      |            |           |
|          | 87832-0470                   | 87832-0472                | 87832-5172               | 1                          | 4               | N.A            | YES    | YES             | N.A                 | N.A  |           |      |      |     |     |      | 0.10       |           |
|          | 87832-0410                   | 87832-0408                | 87832-0406               | 1                          | 2               |                |        |                 |                     |      |           |      |      |     |     |      |            |           |
|          |                              |                           | 87832-5106               | 2                          | 2               |                |        |                 |                     |      |           |      |      |     |     |      |            |           |
|          |                              | 87832-0411                | 87832-0409               | 87832-0407                 | 1               | 3              | N.A    | YES             | YES                 | N.A  |           |      |      |     |     |      | N.A        |           |
|          | 87832-0404                   | N.A                       | N.A                      | N.A                        | 2               | 0.10           |        |                 |                     |      |           |      |      |     |     |      |            |           |

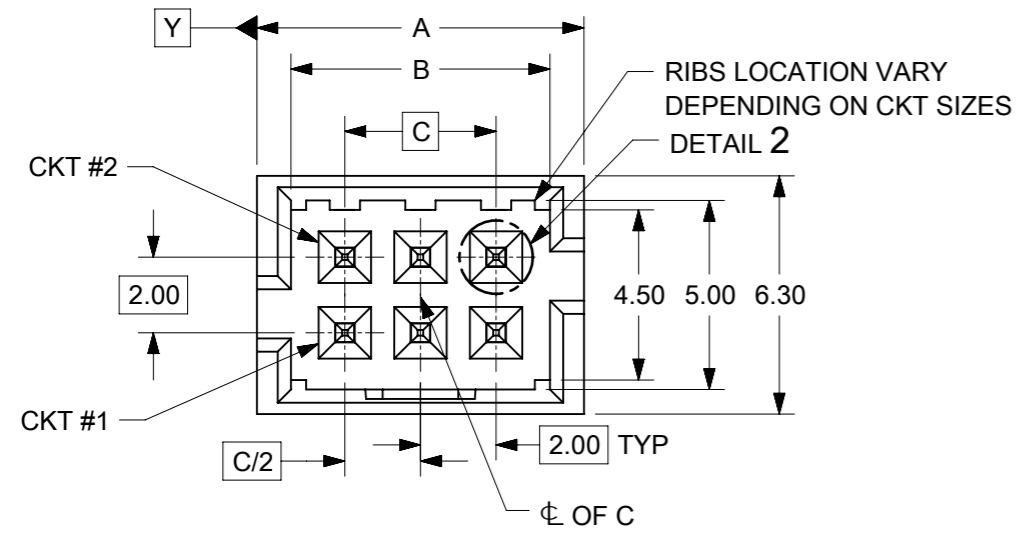
**PLATING OPTIONS:**

- 1 - 0.05-0.13µm/2-5µin GOLD IN CONTACT AREA AND 1.88µm/75µin MIN. MATTE TIN IN SOLDER TAIL AREA OVER 1.27µm/50µin MIN. NICKEL OVERALL.
- 2 - 0.38µm/15µin MIN. GOLD IN CONTACT AREA AND 1.88µm/75µin MIN. MATTE TIN IN SOLDER TAIL AREA OVER 1.27µm/50µin MIN. NICKEL OVERALL.
- 3 - 0.76µm/30µin MIN. GOLD IN CONTACT AREA AND 1.88µm/75µin MIN. MATTE TIN IN SOLDER TAIL AREA OVER 1.27µm/50µin MIN. NICKEL OVERALL.
- 4 - 2.50µm/100µin MIN. MATTE TIN OVER 1.25µm/50µin MIN. NICKEL OVERALL.

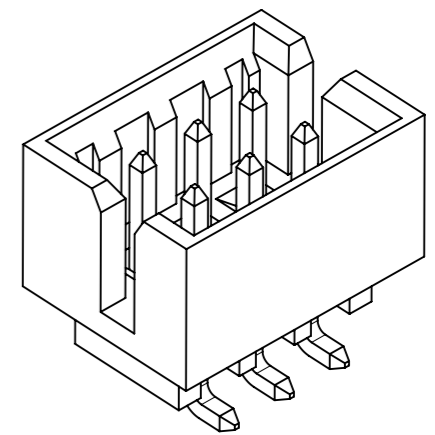
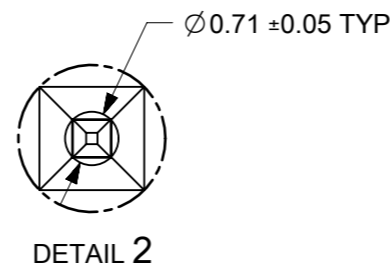
THIS DRAWING CONTAINS INFORMATION THAT IS PROPRIETARY TO MOLEX ELECTRONIC TECHNOLOGIES, LLC AND SHOULD NOT BE USED WITHOUT WRITTEN PERMISSION

|  |  |                                       |                        |                 |  |                |              |
|--|--|---------------------------------------|------------------------|-----------------|--|----------------|--------------|
| EC NO: 721932<br>DRWN: DANUSA<br>CHKD: DANUSA<br>REV APPR: MIRAMAKRISHNA | 2022/07/25   | GENERAL TOLERANCES (UNLESS SPECIFIED) | DIMENSION UNITS        |                 | SCALE  | <b>molex®</b>  |              |
|  | 2022/09/20   |                                       | MM                     | INCH            | NTS  |                |              |
|  | 2022/09/20   |                                       | DRWN BY                | DATE            | MILLIGRID<br>2MM PITCH, SMT VERTICAL SHROUDED HEADER |                |              |
|  |  |                                       | GMENARLY               | 2015/05/22      |  |                |              |
|  |  |                                       | CHK'D BY               | DATE            |  |                |              |
|  |  |                                       | CGOH                   | 2015/09/21      | PRODUCT CUSTOMER DRAWING                             |                |              |
|  | APPR BY  | DATE                                  |                        |                 |  |                |              |
|  | KHLIM  | 2015/09/22                            | SERIES                 | MATERIAL NUMBER | CUSTOMER   |                |              |
|  | ANGULAR TOL = 3.0                                    | DRAWING SIZE                          | THIRD ANGLE PROJECTION | 87832           | SEE TABLE  | GENERAL MARKET |              |
|  | DRAFT WHERE APPLICABLE MUST REMAIN WITHIN DIMENSIONS | A3                                    |                        | DOCUMENT NUMBER | DOC TYPE   | DOC PART       | SHEET NUMBER |
| A21  |  |                                       |                        | SD-87832-0001   | PSD  | 001            | 3 OF 13      |

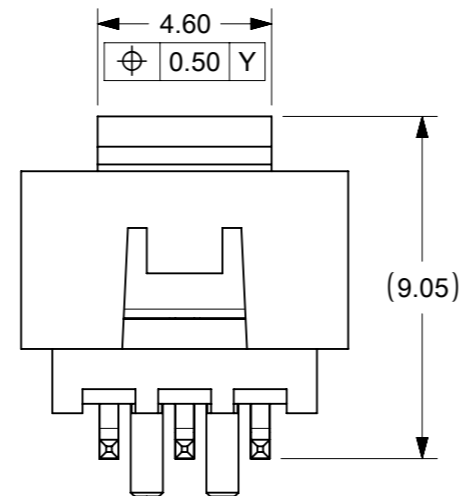
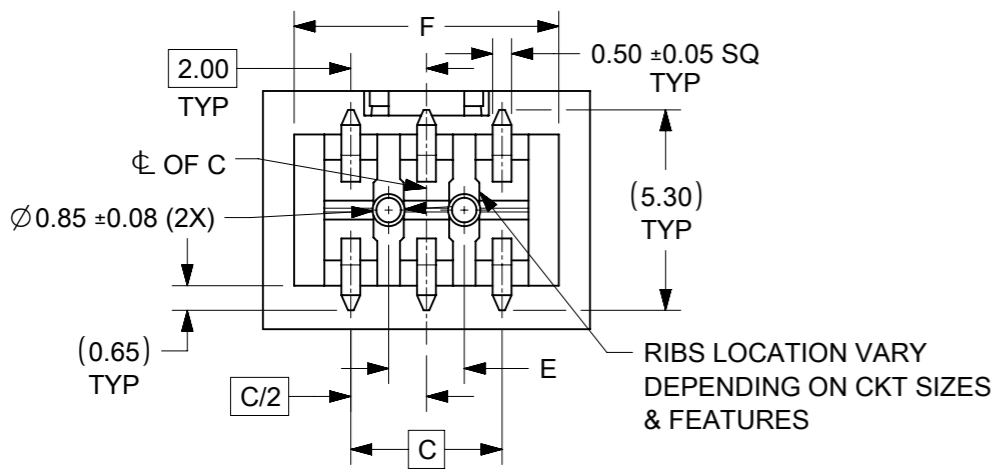
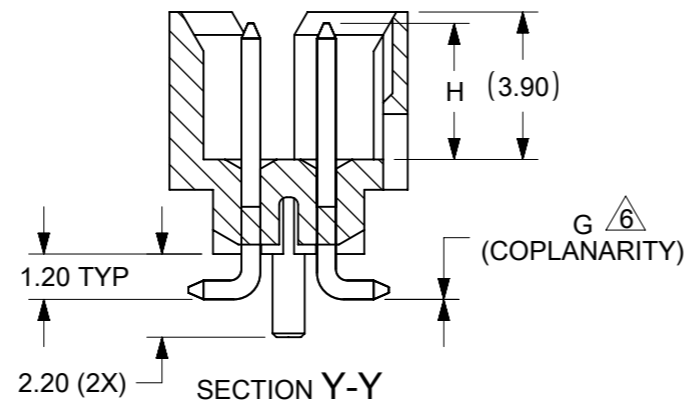
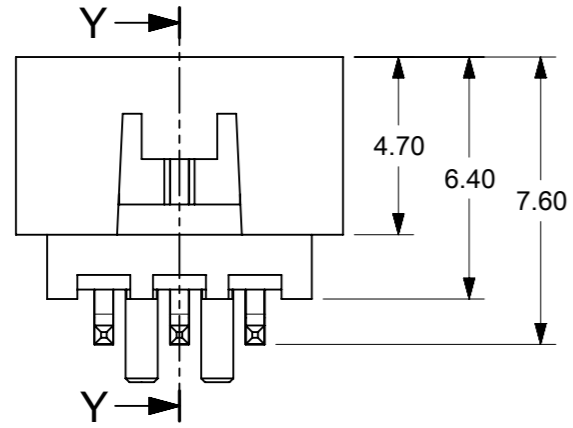
|                |    |              |            |          |
|----------------|----|--------------|------------|----------|
| RELEASE STATUS | P1 | RELEASE DATE | 2022/09/20 | 09:04:31 |
|----------------|----|--------------|------------|----------|



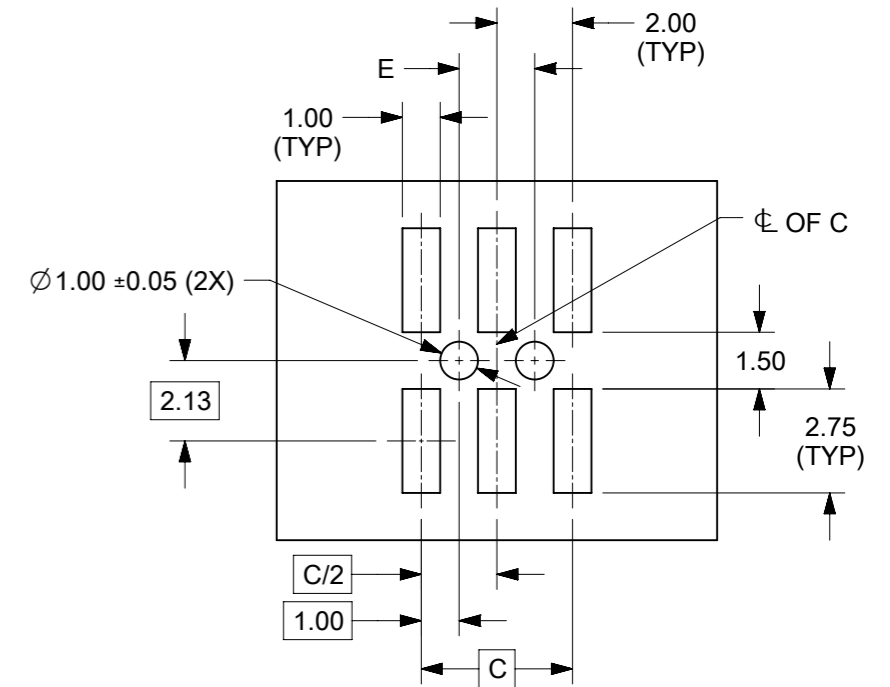
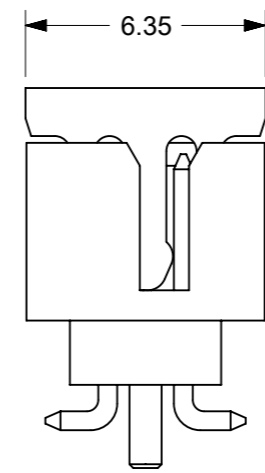
**6 CIRCUITS**



VIEW FOR HEADER WITH ONLY DUAL SLOTS



VIEW FOR HEADER WITH CAP



RECOMMENDED PCB LAYOUT

- NOTES:**
- MATERIALS:**  
HOUSING & CAP: 30% GF, NYLON, UL94V-0, COLOR: BLACK  
PIN: 0.50mm SQ. PHOSPHOR BRONZE
  - FINISHES:** REFER TO PLATING OPTIONS
  - PRODUCT SPECIFICATION:** PS-87831-027
  - PACKAGING SPECIFICATION:** SEE PACKAGING SPECS TABLE ON SHEET 12
  - MATES WITH:** A. MOLEX CRIMP RECEPTACLE HOUSING: 51110 SERIES AND CRIMP TERMINAL: 50394 SERIES  
B. MOLEX 2mm MILLIGRID DUAL ROW IDT: 87568 SERIES  
C. MOLEX 2mm MILLIGRID DUAL ROW RECEPTACLE: 79107 (GOLD PLATED), 78787 (TIN PLATED)
- COPLANARITY** IS TO BE MEASURED BY RESTING THE SOLDER TAIL ON A GAUGE SURFACE
- BEND DEPRESSION ON SMT TAIL IS ACCEPTABLE SO LONG AS IT DOES NOT AFFECT THE OVERALL COPLANARITY
- TOP SURFACE OF CAP TO BE FLAT FOR THE PURPOSE OF PICK & PLACE BY VACUUM SUCTION NOZZLE

THIS DRAWING CONTAINS INFORMATION THAT IS PROPRIETARY TO MOLEX ELECTRONIC TECHNOLOGIES, LLC AND SHOULD NOT BE USED WITHOUT WRITTEN PERMISSION

|   |            |  |      |                 |          |                        |            |                 |  |                 |  |                |  |              |  |
|---|------------|--|------|-----------------|----------|------------------------|------------|-----------------|--|-----------------|--|----------------|--|--------------|--|
| EC NO: 721932<br>DRWN: DANUSA<br>CHK'D: DANUSA<br>REV APPR: MIRAMAKRISHNA | 2022/07/25 | GENERAL TOLERANCES (UNLESS SPECIFIED)                |      | DIMENSION UNITS |          | SCALE                  |            |                 |  |                 |  |                |  |              |  |
|   | 2022/09/20 | MM   | INCH | MM              | NTS      | DRWN BY                |            |                 |  |                 |  | DATE           |  |              |  |
|   | 2022/09/20 | 4 PLACES   | ±    | ±               | GMENARLY |                        | 2015/05/22 |                 | MILLIGRID<br>2MM PITCH, SMT VERTICAL SHROUDED HEADER |                 |  |                |  |              |  |
|   |            | 3 PLACES   | ±    | ±               | CHK'D BY |                        | DATE       |                 |  |                 |  |                |  |              |  |
|   | 2 PLACES   | ±  | 0.2  | ±               | CGOH     |                        | 2015/09/21 |                 | PRODUCT CUSTOMER DRAWING                             |                 |  |                |  |              |  |
|   | 1 PLACES   | ±  | ±    | APPR BY         |          | DATE                   |            |                 |  |                 |  |                |  |              |  |
|   | 0 PLACES   | ±  | ±    | KHLIM           |          | 2015/09/22             |            | SERIES          |  | MATERIAL NUMBER |  | CUSTOMER       |  |              |  |
|   |            | ANGULAR TOL = 3.0                                    |      | DRAWING SIZE    |          | THIRD ANGLE PROJECTION |            | 87832           |  | SEE TABLE       |  | GENERAL MARKET |  |              |  |
|   |            | DRAFT WHERE APPLICABLE MUST REMAIN WITHIN DIMENSIONS |      | A3              |          |                        |            | DOCUMENT NUMBER |  | DOC TYPE        |  | DOC PART       |  | SHEET NUMBER |  |
|   |            |  |      |                 |          |                        |            | SD-87832-0001   |  | PSD             |  | 001            |  | 4 OF 13      |  |

# 6 CIRCUITS

| CKT SIZE   | ASSY P/N WITHOUT CAP IN TUBE | ASSY P/N WITH CAP IN TUBE | ASSY P/N WITH CAP IN T&R | ASSY P/N WITHOUT CAP IN T&R | T&R OPTIONS (SEE SHEET 12) | PLATING OPTIONS | FRICTION LOCKS |        | DUAL SIDE SLOTS | CENTER POLARIZATION | PEGS | DIMENSION |      |      |     |      |           |            |           |
|------------|------------------------------|---------------------------|--------------------------|-----------------------------|----------------------------|-----------------|----------------|--------|-----------------|---------------------|------|-----------|------|------|-----|------|-----------|------------|-----------|
|            |                              |                           |                          |                             |                            |                 | DUAL           | CENTER |                 |                     |      | A         | B    | C    | D   | E    | F         | G (COPLAN) | H         |
| 6          | 87832-0660                   | 87832-0662                | 87832-5262               |                             | 1                          | 1               | N.A            | N.A    | YES             | N.A                 | YES  | 8.65      | 6.85 | 4.00 | N.A | 2.00 | 7.00      | 0.10       | 3.60±0.20 |
|            | 87832-0620                   | 87832-0622                | 87832-5222               | 87832-5230                  | 1                          | 2               |                |        |                 |                     |      |           |      |      |     |      |           |            |           |
|            | 87832-0621                   | 87832-0623                | 87832-5223               |                             | 1                          | 3               |                |        |                 |                     |      |           |      |      |     |      |           |            |           |
|            | 87832-0670                   | 87832-0672                | 87832-5272               |                             | 1                          | 4               |                |        |                 |                     |      |           |      |      |     |      |           |            |           |
|            | 87832-0612                   | 87832-0616                | 87832-0614               |                             | 1                          | 2               | N.A            | N.A    | YES             | N.A                 | N.A  |           |      |      |     |      |           | 0.10       | 3.60±0.20 |
|            | 87832-0613                   | 87832-0617                | 87832-0615               |                             | 1                          | 3               | N.A            | N.A    | YES             | YES                 | N.A  |           |      |      |     |      |           |            |           |
|            | 87832-0624                   | 87832-0626                | 87832-0628               |                             | 1                          | 2               | N.A            | YES    | YES             | N.A                 | N.A  |           |      |      |     |      |           |            |           |
|            | 87832-0625                   | 87832-0627                | 87832-0629               |                             | 1                          | 3               | N.A            | YES    | YES             | N.A                 | YES  |           |      |      |     |      |           |            |           |
|            | 87832-0610                   | 87832-0608                | 87832-0606               |                             | 1                          | 2               |                |        |                 |                     |      |           |      |      |     |      |           | N.A        | YES       |
|            | 87832-0611                   | 87832-0609                | 87832-0607               |                             | 1                          | 3               | N.A            | YES    | YES             | N.A                 | YES  |           |      |      |     |      |           |            |           |
| 87832-0604 | N.A                          | N.A                       |                          | N.A                         | 2                          | N.A             |                |        |                 |                     |      | YES       | YES  | N.A  | YES | 0.10 | 3.60±0.20 |            |           |

**PLATING OPTIONS:**

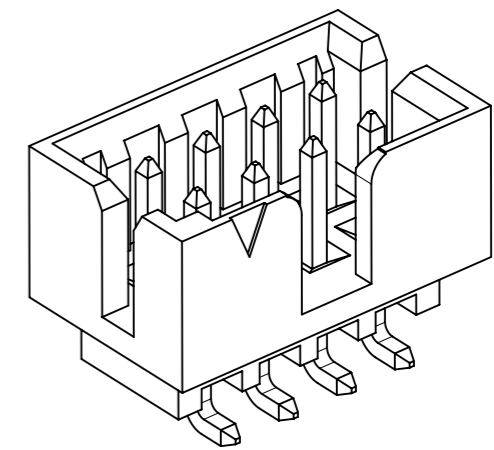
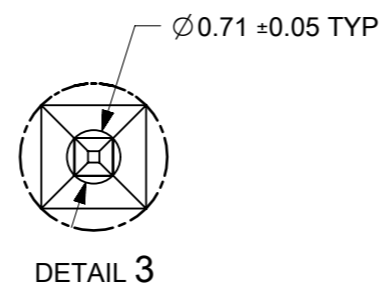
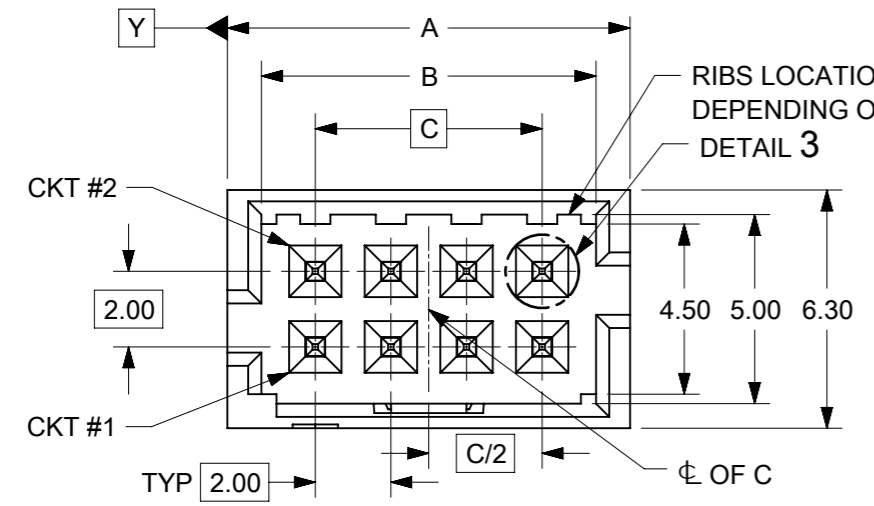
- 1 - 0.05-0.13µm/2-5µin GOLD IN CONTACT AREA AND 1.88µm/75µin MIN. MATTE TIN IN SOLDER TAIL AREA OVER 1.27µm/50µin MIN. NICKEL OVERALL.
- 2 - 0.38µm/15µin MIN. GOLD IN CONTACT AREA AND 1.88µm/75µin MIN. MATTE TIN IN SOLDER TAIL AREA OVER 1.27µm/50µin MIN. NICKEL OVERALL.
- 3 - 0.76µm/30µin MIN. GOLD IN CONTACT AREA AND 1.88µm/75µin MIN. MATTE TIN IN SOLDER TAIL AREA OVER 1.27µm/50µin MIN. NICKEL OVERALL.
- 4 - 2.50µm/100µin MIN. MATTE TIN OVER 1.25µm/50µin MIN. NICKEL OVERALL.

THIS DRAWING CONTAINS INFORMATION THAT IS PROPRIETARY TO MOLEX ELECTRONIC TECHNOLOGIES, LLC AND SHOULD NOT BE USED WITHOUT WRITTEN PERMISSION

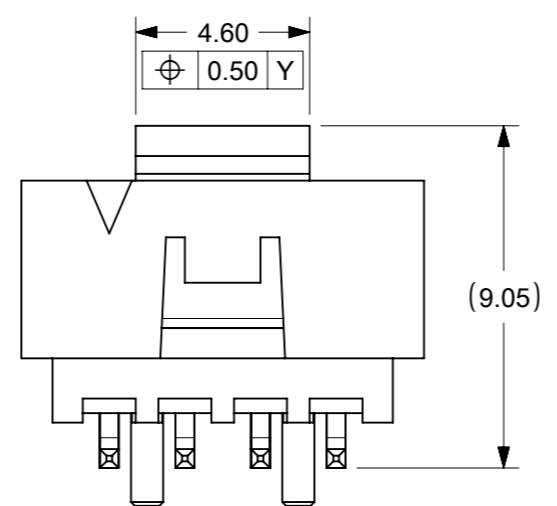
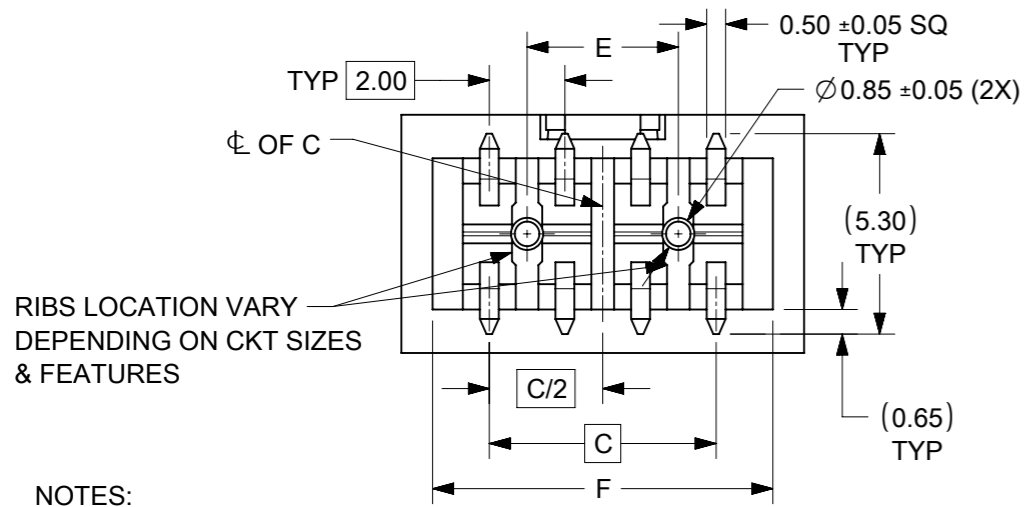
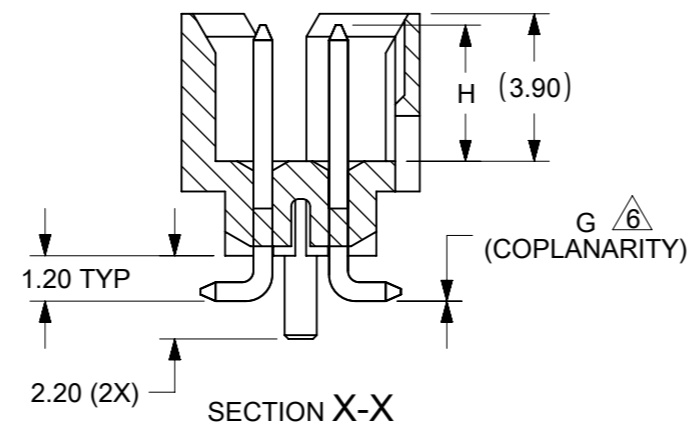
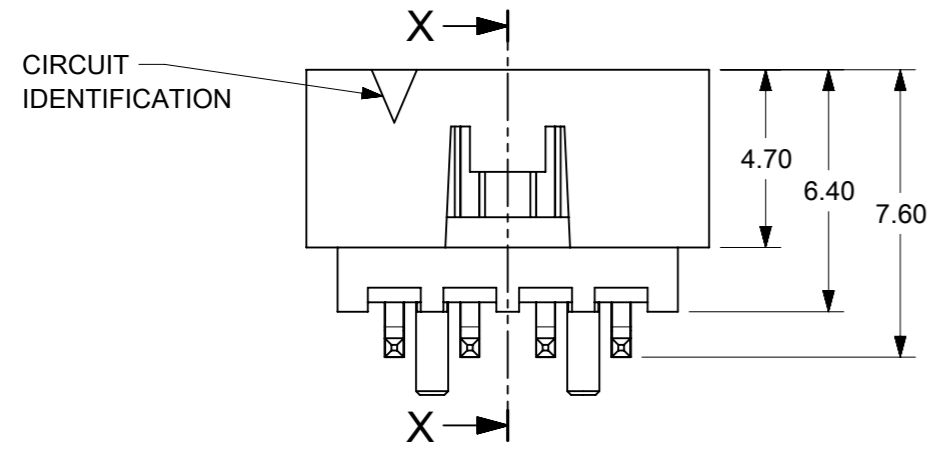
|  |  |                                       |      |                 |                        |                 |  |                |          |          |              |
|--|--|---------------------------------------|------|-----------------|------------------------|-----------------|--|----------------|----------|----------|--------------|
| EC NO: 721932<br>DRWN: DANUSA<br>CHKD: DANUSA<br>REV APPR: MIRAMAKRISHNA | 2022/07/25   | GENERAL TOLERANCES (UNLESS SPECIFIED) |      | DIMENSION UNITS | SCALE                  |                 |  |                |          |          |              |
|  | 2022/09/20   | MM                                    | INCH | MM              | NTS                    |                 |  |                |          |          |              |
|  | 2022/09/20   | 4 PLACES ±                            | ±    | ±               | DRWN BY                | DATE            | MILLIGRID<br>2MM PITCH, SMT VERTICAL SHROUDED HEADER |                |          |          |              |
|  | MIRAMAKRISHNA  | 3 PLACES ±                            | ±    | ±               | GMENARLY               | 2015/05/22      |  |                |          |          |              |
|  | MIRAMAKRISHNA  | 2 PLACES ±                            | 0.2  | ±               | CHK'D BY               | DATE            |  |                |          |          |              |
|  | MIRAMAKRISHNA  | 1 PLACES ±                            | ±    | ±               | CGOH                   | 2015/09/21      | PRODUCT CUSTOMER DRAWING                             |                |          |          |              |
| MIRAMAKRISHNA  | 0 PLACES ±   | ±                                     | ±    | APPR BY         | DATE                   |                 |  |                |          |          |              |
| MIRAMAKRISHNA  | ANGULAR TOL = 3.0                                    |                                       |      | KHLIM           | 2015/09/22             | SERIES          | MATERIAL NUMBER                                      | CUSTOMER       |          |          |              |
| MIRAMAKRISHNA  | DRAFT WHERE APPLICABLE MUST REMAIN WITHIN DIMENSIONS |                                       |      | DRAWING SIZE    | THIRD ANGLE PROJECTION | 87832           | SEE TABLE  | GENERAL MARKET |          |          |              |
| MIRAMAKRISHNA  | A21  | REV                                   | APP  | A3              | DRAWING SIZE           | DOCUMENT NUMBER |  |                | DOC TYPE | DOC PART | SHEET NUMBER |
|  |  |                                       |      | A3              | DRAWING SIZE           | SD-87832-0001   |  |                | PSD      | 001      | 5 OF 13      |

|                |    |              |            |          |
|----------------|----|--------------|------------|----------|
| RELEASE STATUS | P1 | RELEASE DATE | 2022/09/20 | 09:04:31 |
|----------------|----|--------------|------------|----------|

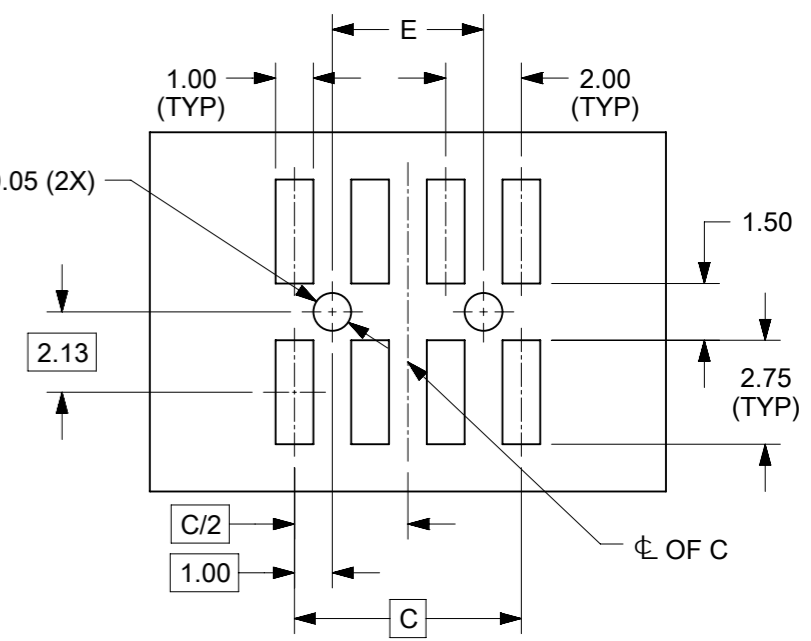
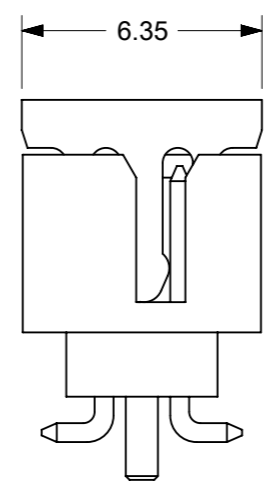
8 TO 12 CIRCUITS



ISO VIEW OF HEADER WITH CENTER POLARIZATION AND DUAL SIDE SLOTS



VIEW FOR HEADER WITH CAP



RECOMMENDED PCB LAYOUT

- NOTES:
- MATERIALS:  
HOUSING & CAP: 30% GF, NYLON, UL94V-0, COLOR: BLACK  
PIN: 0.50mm SQ. PHOSPHOR BRONZE
  - FINISHES: REFER TO PLATING OPTIONS
  - PRODUCT SPECIFICATION: PS-87831-027
  - PACKAGING SPECIFICATION: SEE PACKAGING SPECS TABLE ON SHEET 12
  - MATES WITH: A. MOLEX CRIMP RECEPTACLE HOUSING: 51110 SERIES AND CRIMP TERMINAL: 50394 SERIES  
B. MOLEX 2mm MILLIGRID DUAL ROW IDT: 87568 SERIES  
C. MOLEX 2mm MILLIGRID DUAL ROW RECEPTACLE: 79107 (GOLD PLATED), 78787 (TIN PLATED)
  - COPLANARITY IS TO BE MEASURED BY RESTING THE SOLDER TAIL ON A GAUGE SURFACE
  - BEND DEPRESSION ON SMT TAIL IS ACCEPTABLE SO LONG AS IT DOES NOT AFFECT THE OVERALL COPLANARITY
  - TOP SURFACE OF CAP TO BE FLAT FOR THE PURPOSE OF PICK & PLACE BY VACUUM SUCTION NOZZLE

THIS DRAWING CONTAINS INFORMATION THAT IS PROPRIETARY TO MOLEX ELECTRONIC TECHNOLOGIES, LLC AND SHOULD NOT BE USED WITHOUT WRITTEN PERMISSION

|   |  |                                       |              |                 |                        |            |            |   |   |  |  |
|---|--|---------------------------------------|--------------|-----------------|------------------------|------------|------------|---|---|--|--|
| EC NO: 721932<br>DRWN: DANUSA<br>CHK'D: DANUSA<br>REV APPR: MIRAMAKRISHNA | 2022/07/25   | GENERAL TOLERANCES (UNLESS SPECIFIED) |              | DIMENSION UNITS |                        | SCALE      |            |   |   |  |  |
|   | 2022/09/20   | MM                                    | INCH         | MM              | NTS                    | DRWN BY    |            |   |   |  |  |
|   | 2022/09/20   | 4 PLACES                              | ±            | ±               | GMENARLY               |            | 2015/05/22 |   | MILLIGRID<br>2MM PITCH, SMT VERTICAL SHROUDED HEADER                                      |  |  |
|   |  | 3 PLACES                              | ±            | ±               | CHK'D BY               |            | DATE       |   |   |  |  |
|   | 2 PLACES   | ±                                     | 0.2          | ±               | CGOH                   |            | 2015/09/21 |   | PRODUCT CUSTOMER DRAWING  |  |  |
|   | 1 PLACES   | ±                                     | ±            | APPR BY         |                        | DATE       |            |   |   |  |  |
|   | 0 PLACES   | ±                                     | ±            | KHLIM           |                        | 2015/09/22 |            | SERIES: 87832<br>MATERIAL NUMBER: SEE TABLE<br>CUSTOMER: GENERAL MARKET |   |  |  |
|   | ANGULAR TOL = 3.0                                    |                                       | DRAWING SIZE |                 | THIRD ANGLE PROJECTION |            |            |   |   |  |  |
|   | DRAFT WHERE APPLICABLE MUST REMAIN WITHIN DIMENSIONS |                                       | A3           |                 |                        |            |            |   | DOCUMENT NUMBER: SD-87832-0001<br>DOC TYPE: PSD<br>DOC PART: 001<br>SHEET NUMBER: 6 OF 13 |  |  |
| RELEASE STATUS  | P1   | RELEASE DATE                          | 2022/09/20   | 09:04:31        | A21                    | REV        |            |   |   |  |  |


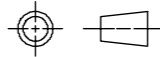
8 TO 12 CIRCUITS

| CKT SIZE   | ASSY P/N WITHOUT CAP IN TUBE | ASSY P/N WITH CAP IN TUBE | ASSY P/N WITH CAP IN T&R | ASSY P/N WITHOUT CAP IN T&R | T&R OPTIONS (SEE SHEET 12) | PLATING OPTIONS | FRICTION LOCKS |        | DUAL SIDE SLOTS | CENTER POLARIZATION | PEGS | DIMENSION |       |       |     |      |       |            |           |
|------------|------------------------------|---------------------------|--------------------------|-----------------------------|----------------------------|-----------------|----------------|--------|-----------------|---------------------|------|-----------|-------|-------|-----|------|-------|------------|-----------|
|            |                              |                           |                          |                             |                            |                 | DUAL           | CENTER |                 |                     |      | A         | B     | C     | D   | E    | F     | G (COPLAN) | H         |
| 8          | 87832-0860                   | 87832-0862                | 87832-5362               |                             | 1                          | 1               | N.A            | N.A    | YES             | YES                 | YES  | 10.65     | 8.85  | 6.00  | N.A | 4.00 | 9.00  | 0.10       | 3.60±0.20 |
|            | 87832-0820                   | 87832-0822                | 87832-5322               |                             | 1                          | 2               |                |        |                 |                     |      |           |       |       |     |      |       | 0.10       | 3.60±0.20 |
|            | 87832-0821                   | 87832-0823                | 87832-5323               |                             | 1                          | 3               |                |        |                 |                     |      |           |       |       |     |      |       | 0.10       | 3.60±0.15 |
|            | 87832-0870                   | 87832-0872                | 87832-5372               |                             | 1                          | 4               | N.A            | N.A    | YES             | YES                 | N.A  |           |       |       |     |      |       | 0.10       | 3.60±0.20 |
|            | 87832-0812                   | 87832-0816                | 87832-0814               |                             | 1                          | 2               | N.A            | YES    | YES             | N.A                 | N.A  |           |       |       |     |      |       | 0.10       | 3.60±0.20 |
|            | 87832-0824                   | 87832-0826                | 87832-0828               |                             | 1                          | 2               | N.A            | YES    | YES             | N.A                 | N.A  |           |       |       |     |      |       | 0.10       | 3.60±0.15 |
|            | 87832-0825                   | 87832-0827                | 87832-0829               |                             | 1                          | 3               | N.A            | YES    | YES             | N.A                 | YES  |           |       |       |     |      |       | 0.10       | 3.60±0.20 |
|            | 87832-0810                   | 87832-0808                | 87832-0806               |                             | 1                          | 2               | N.A            | YES    | YES             | N.A                 | YES  |           |       |       |     |      |       | 0.10       | 3.60±0.20 |
|            | 87832-0811                   | 87832-0809                | 87832-0807               |                             | 1                          | 3               | N.A            | YES    | YES             | N.A                 | YES  |           |       |       |     |      |       | 0.10       | 3.60±0.20 |
| 87832-0804 | N.A                          | N.A                       |                          | N.A                         | 2                          | N.A             | YES            | YES    | N.A             | YES                 | 0.10 | 3.60±0.20 |       |       |     |      |       |            |           |
| 10         | 87832-1060                   | 87832-1062                | 87832-5462               |                             | 1                          | 1               | N.A            | N.A    | YES             | YES                 | YES  | 12.65     | 10.85 | 8.00  | N.A | 6.00 | 11.00 | 0.10       | 3.60±0.20 |
|            | 87832-1020                   | 87832-1022                | 87832-5422               | 87832-5430                  | 1                          | 2               |                |        |                 |                     |      |           |       |       |     |      |       | 0.10       | 3.60±0.20 |
|            | 87832-1021                   | 87832-1023                | 87832-5423               |                             | 1                          | 3               |                |        |                 |                     |      |           |       |       |     |      |       | 0.10       | 3.60±0.20 |
|            |                              |                           | 87832-9423               |                             | 2                          |                 |                |        |                 |                     |      |           |       |       |     |      |       | 0.10       | 3.60±0.15 |
|            | 87832-1070                   | 87832-1072                | 87832-5472               |                             | 1                          | 4               | N.A            | N.A    | YES             | YES                 | N.A  |           |       |       |     |      |       | 0.10       | 3.60±0.20 |
|            | 87832-1012                   | 87832-1016                | 87832-1014               |                             | 1                          | 2               | N.A            | YES    | YES             | N.A                 | N.A  |           |       |       |     |      |       | 0.10       | 3.60±0.15 |
|            | 87832-1019                   | 87832-1045                | 87832-1035               |                             | 1                          | 1               | N.A            | YES    | YES             | N.A                 | YES  |           |       |       |     |      |       | 0.10       | 3.60±0.20 |
|            | 87832-1024                   | 87832-1026                | 87832-1028               |                             | 1                          | 2               | N.A            | YES    | YES             | N.A                 | N.A  |           |       |       |     |      |       | 0.10       | 3.60±0.20 |
|            | N.A                          | N.A                       | 87832-1055               |                             | 1                          | 1               | N.A            | YES    | YES             | N.A                 | YES  |           |       |       |     |      |       | 0.10       | 3.60±0.20 |
|            | 87832-1025                   | 87832-1027                | 87832-1029               |                             | 1                          | 3               | N.A            | YES    | YES             | N.A                 | YES  |           |       |       |     |      |       | 0.10       | 3.60±0.20 |
|            | 87832-1010                   | 87832-1008                | 87832-1006               |                             | 1                          | 2               | N.A            | YES    | YES             | N.A                 | YES  |           |       |       |     |      |       | 0.10       | 3.60±0.20 |
|            | 87832-1011                   | 87832-1009                | 87832-1007               |                             | 1                          | 3               | N.A            | YES    | YES             | N.A                 | YES  |           |       |       |     |      |       | 0.10       | 3.60±0.20 |
| 87832-1004 | N.A                          | N.A                       |                          | N.A                         | 2                          | N.A             | YES            | YES    | N.A             | YES                 | 0.10 | 3.60±0.20 |       |       |     |      |       |            |           |
| 12         | 87832-1260                   | 87832-1262                | 87832-5562               |                             | 1                          | 1               | N.A            | N.A    | YES             | YES                 | YES  | 14.65     | 12.85 | 10.00 | N.A | 8.00 | 13.00 | 0.10       | 3.60±0.20 |
|            | 87832-1220                   | 87832-1222                | 87832-5522               |                             | 1                          | 2               |                |        |                 |                     |      |           |       |       |     |      |       | 0.10       | 3.60±0.15 |
|            | 87832-1221                   | 87832-1223                | 87832-5523               |                             | 1                          | 3               |                |        |                 |                     |      |           |       |       |     |      |       | 0.10       | 3.60±0.20 |
|            |                              |                           | 87832-9623               |                             | 2                          |                 |                |        |                 |                     |      |           |       |       |     |      |       | 0.10       | 3.60±0.20 |
|            | 87832-1270                   | 87832-1272                | 87832-5572               |                             | 1                          | 4               | N.A            | YES    | YES             | N.A                 | N.A  |           |       |       |     |      |       | 0.10       | 3.60±0.15 |
|            | 87832-1224                   | 87832-1226                | 87832-1228               |                             | 1                          | 2               | N.A            | YES    | YES             | N.A                 | YES  |           |       |       |     |      |       | 0.10       | 3.60±0.20 |
|            | 87832-1225                   | 87832-1227                | 87832-1229               |                             | 1                          | 3               | N.A            | YES    | YES             | N.A                 | YES  |           |       |       |     |      |       | 0.10       | 3.60±0.20 |
|            | 87832-1210                   | 87832-1208                | 87832-1206               |                             | 1                          | 2               | N.A            | YES    | YES             | N.A                 | YES  |           |       |       |     |      |       | 0.10       | 3.60±0.20 |
|            | 87832-1211                   | 87832-1209                | 87832-1207               |                             | 1                          | 3               | N.A            | YES    | YES             | N.A                 | YES  |           |       |       |     |      |       | 0.10       | 3.60±0.20 |
|            | 87832-1204                   | N.A                       | N.A                      |                             | N.A                        | 2               | N.A            | YES    | YES             | N.A                 | YES  |           |       |       |     |      |       | 0.10       | 3.60±0.20 |
| 87832-1212 | N.A                          | N.A                       |                          | N.A                         | 2                          | N.A             | N.A            | YES    | YES             | N.A                 | 0.10 | 3.60±0.20 |       |       |     |      |       |            |           |

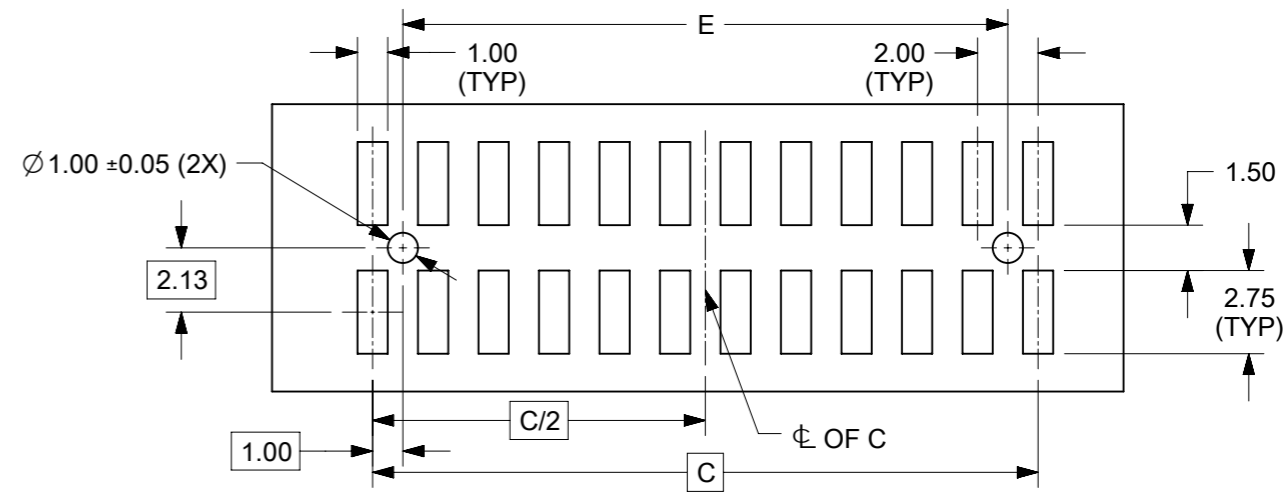
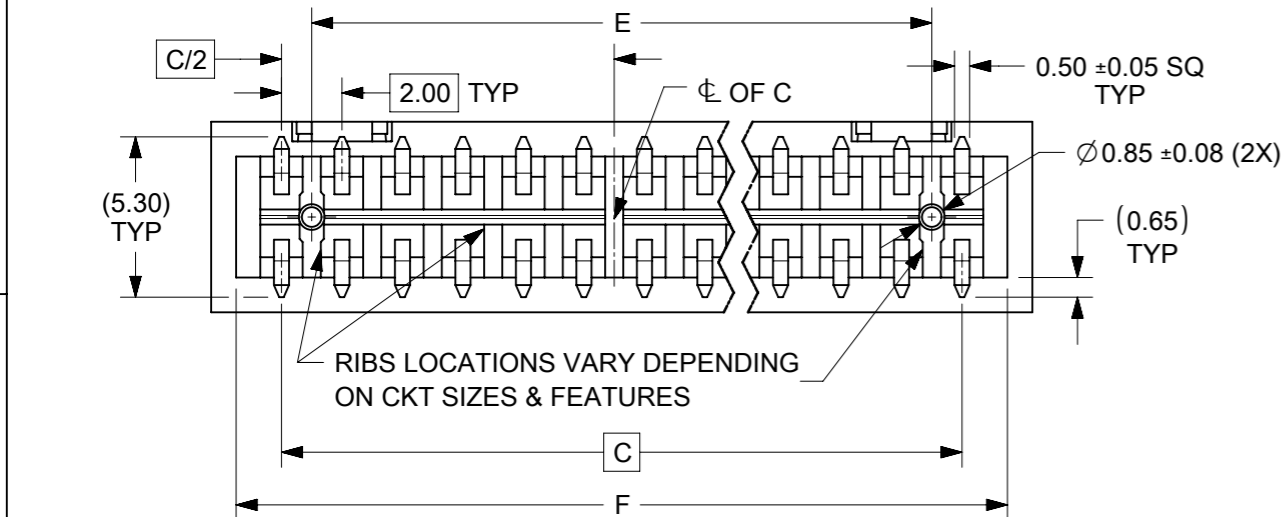
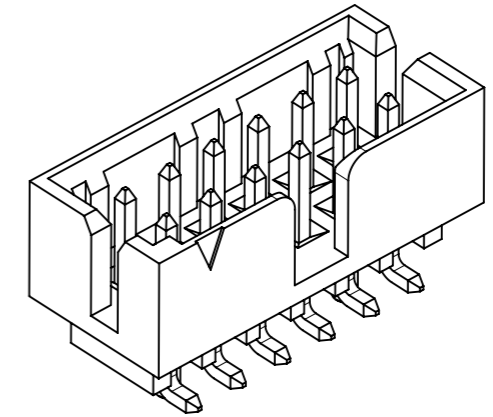
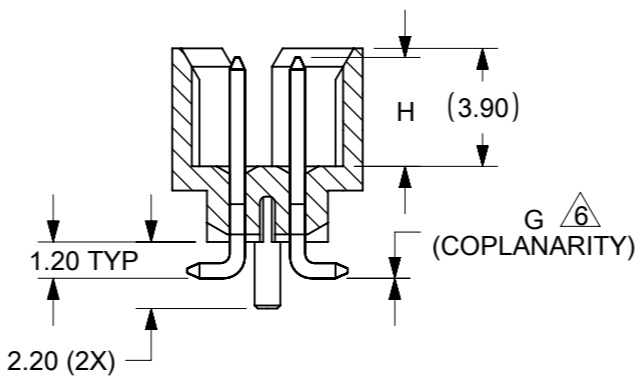
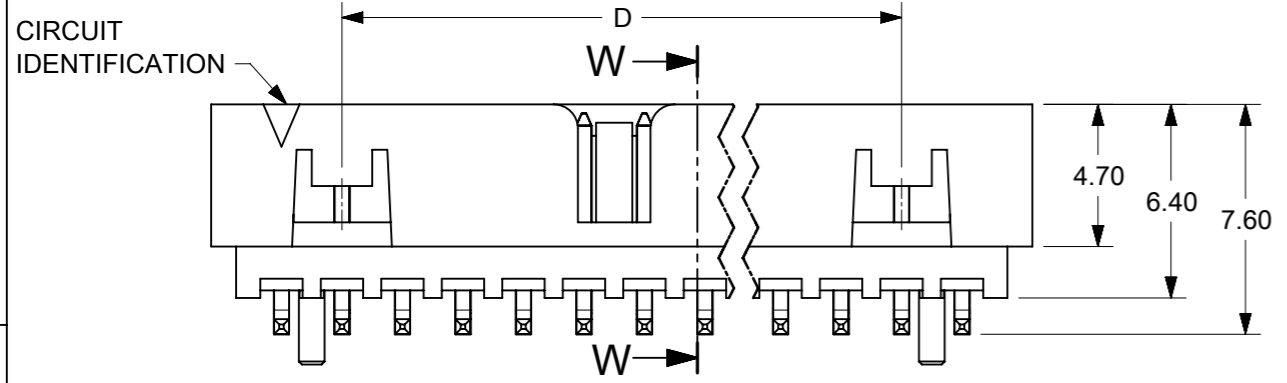
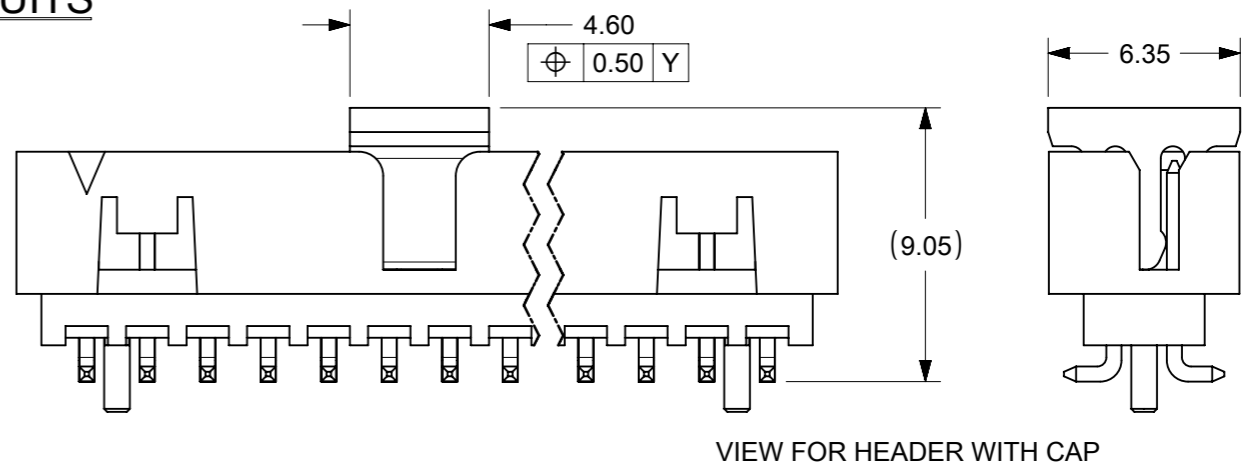
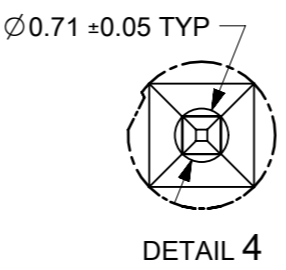
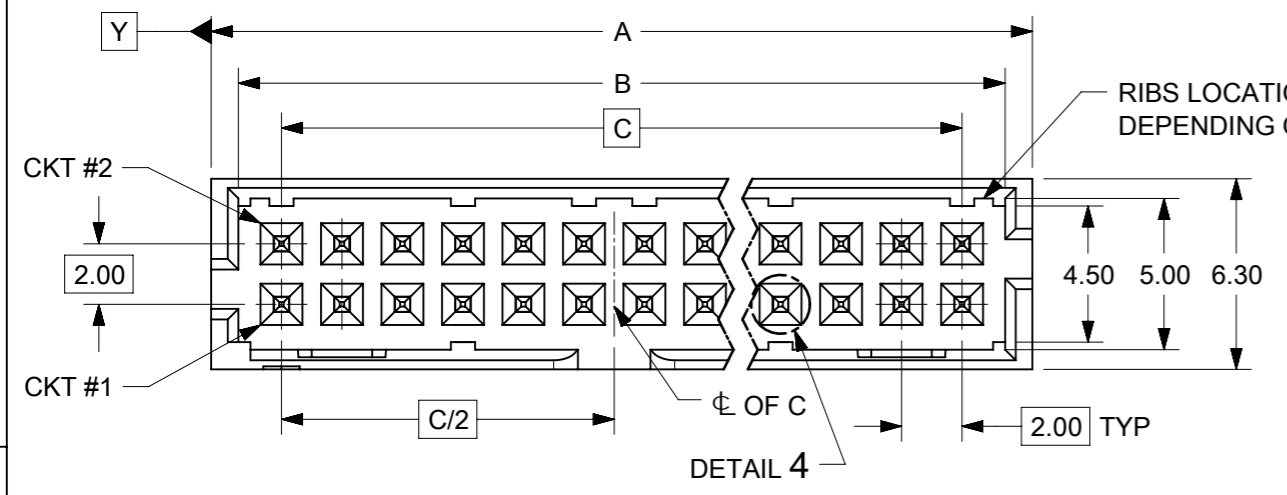
PLATING OPTIONS:

- 1 - 0.05-0.13µm/2-5µin GOLD IN CONTACT AREA AND 1.88µm/75µin MIN. MATTE TIN IN SOLDER TAIL AREA OVER 1.27µm/50µin MIN. NICKEL OVERALL.
- 2 - 0.38µm/15µin MIN. GOLD IN CONTACT AREA AND 1.88µm/75µin MIN. MATTE TIN IN SOLDER TAIL AREA OVER 1.27µm/50µin MIN. NICKEL OVERALL.
- 3 - 0.76µm/30µin MIN. GOLD IN CONTACT AREA AND 1.88µm/75µin MIN. MATTE TIN IN SOLDER TAIL AREA OVER 1.27µm/50µin MIN. NICKEL OVERALL.
- 4 - 2.50µm/100µin MIN. MATTE TIN OVER 1.25µm/50µin MIN. NICKEL OVERALL.

THIS DRAWING CONTAINS INFORMATION THAT IS PROPRIETARY TO MOLEX ELECTRONIC TECHNOLOGIES, LLC AND SHOULD NOT BE USED WITHOUT WRITTEN PERMISSION

|  |                                       |              |                 |   |                     |  |   |                |          |          |              |
|--|---------------------------------------|--------------|-----------------|---|---------------------|--|---|----------------|----------|----------|--------------|
| EC NO: 721932<br>DRWN: DANUSA<br>CHKD: DANUSA<br>REV APPR: MIRAMAKRISHNA | GENERAL TOLERANCES (UNLESS SPECIFIED) |              | DIMENSION UNITS |   | SCALE               |  |  |                |          |          |              |
|  |                                       |              | MM              | INCH  | MM                  | NTS  |   |                |          |          |              |
|  | 4 PLACES ±                            |              | DRWN BY         |   | DATE                |  |   |                |          |          |              |
|  | 3 PLACES ±                            |              | GMENARLY        |   | 2015/05/22          |  |   |                |          |          |              |
| 2 PLACES ± 0.2   |                                       | CHK'D BY     |                 | DATE  |                     | MILLIGRID<br>2MM PITCH, SMT VERTICAL SHROUDED HEADER |   |                |          |          |              |
| 1 PLACES ±   |                                       | CGOH         |                 | 2015/09/21  |                     |  |   |                |          |          |              |
| 0 PLACES ±   |                                       | APPR BY      |                 | DATE  |                     | PRODUCT CUSTOMER DRAWING                             |   |                |          |          |              |
| ANGULAR TOL = 3.0  |                                       | KHLIM        |                 | 2015/09/22  |                     |  |   |                |          |          |              |
| DRAFT WHERE APPLICABLE MUST REMAIN WITHIN DIMENSIONS                     |                                       | DRAWING SIZE |                 | THIRD ANGLE PROJECTION  |                     | SERIES   | MATERIAL NUMBER   | CUSTOMER       |          |          |              |
|  |                                       | A3           |                 |  |                     | 87832  | SEE TABLE   | GENERAL MARKET |          |          |              |
| RELEASE STATUS   |                                       | P1           | RELEASE DATE    |   | 2022/09/20 09:04:31 |  | DOCUMENT NUMBER   |                | DOC TYPE | DOC PART | SHEET NUMBER |
|  |                                       |              |                 |   |                     |  | SD-87832-0001   |                | PSD      | 001      | 7 OF 13      |

# 14 TO 50 CIRCUITS



- NOTES:**
- 1. MATERIALS:**  
HOUSING & CAP: 30% GF, NYLON, UL94V-0, COLOR: BLACK  
PIN: 0.50mm SQ. PHOSPHOR BRONZE
  - 2. FINISHES:** REFER TO PLATING OPTIONS
  - 3. PRODUCT SPECIFICATION:** PS-87831-027
  - 4. PACKAGING SPECIFICATION:** SEE PACKAGING SPECS TABLE ON SHEET 12
  - 5. MATES WITH:** A. MOLEX CRIMP RECEPTACLE HOUSING: 51110 SERIES AND CRIMP TERMINAL: 50394 SERIES  
B. MOLEX 2mm MILLIGRID DUAL ROW IDT: 87568 SERIES  
C. MOLEX 2mm MILLIGRID DUAL ROW RECEPTACLE: 79107 (GOLD PLATED), 78787 (TIN PLATED)
  - 6. COPLANARITY IS TO BE MEASURED BY RESTING THE SOLDER TAIL ON A GAUGE SURFACE**
  - 7. BEND DEPRESSION ON SMT TAIL IS ACCEPTABLE SO LONG AS IT DOES NOT AFFECT THE OVERALL COPLANARITY**
  - 8. TOP SURFACE OF CAP TO BE FLAT FOR THE PURPOSE OF PICK & PLACE BY VACUUM SUCTION NOZZLE**

THIS DRAWING CONTAINS INFORMATION THAT IS PROPRIETARY TO MOLEX ELECTRONIC TECHNOLOGIES, LLC AND SHOULD NOT BE USED WITHOUT WRITTEN PERMISSION

|   |            |                                       |  |                 |                        |  |                          |        |  |                |  |  |
|---|------------|---------------------------------------|--|-----------------|------------------------|--|--------------------------|--------|--|----------------|--|--|
| EC NO: 721932<br>DRWN: DANUSA<br>CHK'D: DANUSA<br>APPR: MIRAMAKRISHNA | 2022/07/25 | GENERAL TOLERANCES (UNLESS SPECIFIED) |  | DIMENSION UNITS |                        | SCALE  |                          |        |  |                |  |  |
|   | 2022/09/20 | MM                                    | INCH   | MM              | NTS                    | DRWN BY  | DATE                     |        |  |                |  |  |
|   | 2022/09/20 | 4 PLACES                              | ±  | ±               | GMENARLY               | 2015/05/22   | CHK'D BY                 | DATE   | MILLIGRID<br>2MM PITCH, SMT VERTICAL SHROUDED HEADER |                |  |  |
|   |            | 3 PLACES                              | ±  | ±               | CGOH                   | 2015/09/21   | APPR BY                  | DATE   |  |                |  |  |
|   | 2 PLACES   | ±                                     | 0.2  | ±               | KHLIM                  | 2015/09/22   | PRODUCT CUSTOMER DRAWING |        |  |                |  |  |
|   | 1 PLACES   | ±                                     | ±  |                 |                        |  |                          | SERIES | MATERIAL NUMBER                                      | CUSTOMER       |  |  |
|   | 0 PLACES   | ±                                     | ±  |                 |                        |  |                          | 87832  | SEE TABLE  | GENERAL MARKET |  |  |
|   |            |                                       | ANGULAR TOL = 3.0                                    | DRAWING SIZE    | THIRD ANGLE PROJECTION | DOCUMENT NUMBER: SD-87832-0001   DOC TYPE: PSD   DOC PART: 001   SHEET NUMBER: 8 OF 13 |                          |        |  |                |  |  |
|   |            |                                       | DRAFT WHERE APPLICABLE MUST REMAIN WITHIN DIMENSIONS | A3              |                        |  |                          |        |  |                |  |  |



14 TO 24 CIRCUITS

| CKT SIZE   | ASSY P/N WITHOUT CAP IN TUBE | ASSY P/N WITH CAP IN TUBE | ASSY P/N WITH CAP IN T&R | ASSY P/N WITHOUT CAP IN T&R | T&R OPTIONS (SEE SHEET 12) | PLATING OPTIONS | FRICTION LOCKS |        | DUAL SIDE SLOTS | CENTER POLARIZATION | PEGS | DIMENSION |       |       |       |       |       |            | So (T&R)  |           |  |  |      |           |           |       |  |  |
|------------|------------------------------|---------------------------|--------------------------|-----------------------------|----------------------------|-----------------|----------------|--------|-----------------|---------------------|------|-----------|-------|-------|-------|-------|-------|------------|-----------|-----------|--|--|------|-----------|-----------|-------|--|--|
|            |                              |                           |                          |                             |                            |                 | DUAL           | CENTER |                 |                     |      | A         | B     | C     | D     | E     | F     | G (COPLAN) |           | H         |  |  |      |           |           |       |  |  |
| 14         | 87832-1460                   | 87832-1462                | 87832-5662               |                             | 1                          | 1               |                |        |                 |                     |      |           |       |       |       |       |       |            |           |           |  |  |      |           |           |       |  |  |
|            | 87832-1420                   | 87832-1422                | 87832-5622               | 87832-5630                  | 1                          | 2               |                |        |                 |                     |      |           |       |       |       |       |       |            |           |           |  |  |      |           |           |       |  |  |
|            | 87832-1421                   | 87832-1423                | 87832-5623               |                             | 1                          | 3               |                | YES    | N.A             | YES                 | YES  | YES       | 16.65 | 14.85 | 12.00 | 8.00  | 10.00 | 15.00      | 0.15      | 3.60±0.20 |  |  |      |           |           |       |  |  |
|            |                              |                           | 87832-9523               |                             | 2                          |                 |                |        |                 |                     |      |           |       |       |       |       |       |            |           |           |  |  |      |           |           |       |  |  |
|            | 87832-1470                   | 87832-1472                | 87832-5672               |                             | 1                          | 4               |                |        |                 |                     |      |           |       |       |       |       |       |            |           |           |  |  |      |           |           |       |  |  |
| 87832-1412 | 87832-1416                   | 87832-1414                |                          | 1                           | 2                          | YES             | N.A            | YES    | YES             | N.A                 |      |           |       |       |       |       |       |            |           |           |  |  | 0.15 | 3.60±0.20 |           |       |  |  |
| 87832-1660 | 87832-1662                   | 87832-5762                |                          | 1                           | 1                          |                 |                |        |                 |                     |      |           |       |       |       |       |       |            |           |           |  |  |      |           |           |       |  |  |
| 16         | 87832-1620                   | 87832-1622                | 87832-5722               |                             | 1                          | 2               |                |        |                 |                     |      | 18.65     | 16.85 | 14.00 | 10.00 | 12.00 | 17.00 | 0.15       | 3.60±0.20 |           |  |  |      |           |           |       |  |  |
|            | 87832-1621                   | 87832-1623                | 87832-5723               |                             | 1                          | 3               | YES            | N.A    | YES             | YES                 | YES  |           |       |       |       |       |       |            |           |           |  |  |      |           |           |       |  |  |
|            | 87832-1670                   | 87832-1672                | 87832-5772               | 87832-5730                  | 1                          | 4               |                |        |                 |                     |      |           |       |       |       |       |       |            |           |           |  |  |      |           |           |       |  |  |
|            | 87832-1612                   | 87832-1616                | 87832-1614               |                             | 1                          | 2               | YES            | N.A    | YES             | YES                 | N.A  |           |       |       |       |       |       |            |           |           |  |  |      | 0.15      | 3.60±0.20 | 28.40 |  |  |
|            | 87832-1619                   | 87832-1645                | 87832-1635               |                             | 1                          | 1               |                |        |                 |                     |      |           |       |       |       |       |       |            |           |           |  |  |      |           |           |       |  |  |
| 18         | 87832-1860                   | 87832-1862                | 87832-5862               |                             | 1                          | 1               |                |        |                 |                     |      | 20.65     | 18.85 | 16.00 | 12.00 | 14.00 | 19.00 | 0.15       | 3.60±0.20 |           |  |  |      |           |           |       |  |  |
|            | 87832-1820                   | 87832-1822                | 87832-5822               | 87832-5830                  | 1                          | 2               | YES            | N.A    | YES             | YES                 | YES  |           |       |       |       |       |       |            |           |           |  |  |      |           |           |       |  |  |
|            | 87832-1821                   | 87832-1823                | 87832-5823               |                             | 1                          | 3               |                |        |                 |                     |      |           |       |       |       |       |       |            |           |           |  |  |      |           |           |       |  |  |
|            | 87832-1870                   | 87832-1872                | 87832-5872               |                             | 1                          | 4               |                |        |                 |                     |      |           |       |       |       |       |       |            |           |           |  |  |      |           |           |       |  |  |
|            | 87832-1812                   | 87832-1816                | 87832-1814               |                             | 3                          | 2               | YES            | N.A    | YES             | YES                 | N.A  |           |       |       |       |       |       |            |           |           |  |  |      | 0.15      | 3.60±0.20 |       |  |  |
| 87832-1813 | 87832-1817                   | 87832-1815                |                          | 3                           | 3                          | YES             | N.A            | YES    | YES             | N.A                 |      |           |       |       |       |       | 0.15  | 3.60±0.20  |           |           |  |  |      |           |           |       |  |  |
| 20         | 87832-2060                   | 87832-2062                | 87832-5962               |                             | 1                          | 1               |                |        |                 |                     |      | 22.65     | 20.85 | 18.00 | 14.00 | 16.00 | 21.00 | 0.15       | 3.60±0.20 |           |  |  |      |           |           |       |  |  |
|            | 87832-2020                   | 87832-2022                | 87832-5922               | 87832-5930                  | 1                          | 2               | YES            | N.A    | YES             | YES                 | YES  |           |       |       |       |       |       |            |           |           |  |  |      |           |           |       |  |  |
|            | 87832-2021                   | 87832-2023                | 87832-5923               |                             | 1                          | 3               |                |        |                 |                     |      |           |       |       |       |       |       |            |           |           |  |  |      |           |           |       |  |  |
|            | 87832-2070                   | 87832-2072                | 87832-5972               |                             | 1                          | 4               |                |        |                 |                     |      |           |       |       |       |       |       |            |           |           |  |  |      |           |           |       |  |  |
|            |                              |                           | 87832-9672               |                             | 2                          |                 |                |        |                 |                     |      |           |       |       |       |       |       |            |           |           |  |  |      |           |           |       |  |  |
| 87832-2012 | 87832-2016                   | 87832-2014                |                          | 1                           | 2                          | YES             | N.A            | YES    | YES             | N.A                 |      |           |       |       |       |       | 0.15  | 3.60±0.20  | 40.40     |           |  |  |      |           |           |       |  |  |
| 22         | 87832-2260                   | 87832-2262                | 87832-6062               |                             | 1                          | 1               |                |        |                 |                     |      | 24.65     | 22.85 | 20.00 | 16.00 | 18.00 | 23.00 | 0.15       | 3.60±0.20 |           |  |  |      |           |           |       |  |  |
|            | 87832-2220                   | 87832-2222                | 87832-6022               | 87832-6030                  | 1                          | 2               | YES            | N.A    | YES             | YES                 | YES  |           |       |       |       |       |       |            |           |           |  |  |      |           |           |       |  |  |
|            | 87832-2221                   | 87832-2223                | 87832-6023               | A21 87832-6031              | 1                          | 3               |                |        |                 |                     |      |           |       |       |       |       |       |            |           |           |  |  |      |           |           |       |  |  |
|            | 87832-2270                   | 87832-2272                | 87832-6072               |                             | 1                          | 4               |                |        |                 |                     |      |           |       |       |       |       |       |            |           |           |  |  |      |           |           |       |  |  |
| 24         | 87832-2460                   | 87832-2462                | 87832-6162               |                             | 1                          | 1               |                |        |                 |                     |      | 26.65     | 24.85 | 22.00 | 18.00 | 20.00 | 25.00 | 0.15       | 3.60±0.20 |           |  |  |      |           |           |       |  |  |
|            | 87832-2420                   | 87832-2422                | 87832-6122               | 87832-6130                  | 1                          | 2               | YES            | N.A    | YES             | YES                 | YES  |           |       |       |       |       |       |            |           |           |  |  |      |           |           |       |  |  |
|            | 87832-2421                   | 87832-2423                | 87832-6123               |                             | 1                          | 3               |                |        |                 |                     |      |           |       |       |       |       |       |            |           |           |  |  |      |           |           |       |  |  |
|            | 87832-2470                   | 87832-2472                | 87832-6172               |                             | 1                          | 4               |                |        |                 |                     |      |           |       |       |       |       |       |            |           |           |  |  |      |           |           |       |  |  |
|            | 87832-2412                   | 87832-2416                | 87832-2414               |                             | 1                          | 2               | YES            | N.A    | YES             | YES                 | N.A  |           |       |       |       |       |       |            |           |           |  |  |      | 0.15      | 3.60±0.20 |       |  |  |

THIS DRAWING CONTAINS INFORMATION THAT IS PROPRIETARY TO MOLEX ELECTRONIC TECHNOLOGIES, LLC AND SHOULD NOT BE USED WITHOUT WRITTEN PERMISSION

**PLATING OPTIONS:**  
 1 - 0.05-0.13µm/2-5µin GOLD IN CONTACT AREA AND 1.88µm/75µin MIN. MATTE TIN IN SOLDER TAIL AREA OVER 1.27µm/50µin MIN. NICKEL OVERALL.  
 2 - 0.38µm/15µin MIN. GOLD IN CONTACT AREA AND 1.88µm/75µin MIN. MATTE TIN IN SOLDER TAIL AREA OVER 1.27µm/50µin MIN. NICKEL OVERALL.  
 3 - 0.76µm/30µin MIN. GOLD IN CONTACT AREA AND 1.88µm/75µin MIN. MATTE TIN IN SOLDER TAIL AREA OVER 1.27µm/50µin MIN. NICKEL OVERALL.  
 4 - 2.50µm/100µin MIN. MATTE TIN OVER 1.25µm/50µin MIN. NICKEL OVERALL.

|                                       |            |  |              |               |            |   |            |
|---------------------------------------|------------|--|--------------|---------------|------------|---|------------|
| EC NO: 721932                         | 2022/07/25 | DRWN: DANUSA   | 2022/09/20   | CHK'D: DANUSA | 2022/09/20 | APPR: MIRAMAKRISHNA                     | 2022/09/20 |
| GENERAL TOLERANCES (UNLESS SPECIFIED) |            | DIMENSION UNITS                                      |              | SCALE         |            | MILLIGRID                               |            |
|                                       |            | MM   | INCH         | MM            | NTS        | 2MM PITCH, SMT VERTICAL SHROUDED HEADER |            |
| 4 PLACES ±                            |            |  |              | DRWN BY       | DATE       | GMENARLY 2015/05/22                     |            |
| 3 PLACES ±                            |            |  |              | CHK'D BY      | DATE       | CGOH 2015/09/21                         |            |
| 2 PLACES ± 0.2                        |            |  |              | APPR BY       | DATE       | KHLIM 2015/09/22                        |            |
| 1 PLACES ±                            |            |  |              | DRAWING SIZE  |            | THIRD ANGLE PROJECTION                  |            |
| 0 PLACES ±                            |            |  |              | A3            |            |   |            |
| ANGULAR TOL = 3.0                     |            | DRAFT WHERE APPLICABLE MUST REMAIN WITHIN DIMENSIONS |              | SERIES        |            | MATERIAL NUMBER                         |            |
|                                       |            |  |              | 87832         |            | SEE TABLE                               |            |
|                                       |            |  |              | CUSTOMER      |            | GENERAL MARKET                          |            |
| RELEASE STATUS                        |            | P1   | RELEASE DATE | 2022/09/20    | 09:04:31   | DOCUMENT NUMBER                         |            |
|                                       |            |  |              |               |            | SD-87832-0001                           |            |
|                                       |            |  |              | DOC TYPE      |            | DOC PART                                |            |
|                                       |            |  |              | PSD           |            | 001                                     |            |
|                                       |            |  |              | SHEET NUMBER  |            | 9 OF 13                                 |            |


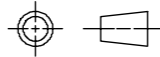
26 TO 38 CIRCUITS

| CKT SIZE | ASSY P/N WITHOUT CAP IN TUBE | ASSY P/N WITH CAP IN TUBE | ASSY P/N WITH CAP IN T&R | ASSY P/N WITHOUT CAP IN T&R | T&R OPTIONS (SEE SHEET 12) | PLATING OPTIONS | FRICTION LOCKS |        | DUAL SIDE SLOTS | CENTER POLARIZATION | PEGS | DIMENSION |       |       |       |       |       |            |           |     |     |     |  |  |  |  |  |  |      |           |
|----------|------------------------------|---------------------------|--------------------------|-----------------------------|----------------------------|-----------------|----------------|--------|-----------------|---------------------|------|-----------|-------|-------|-------|-------|-------|------------|-----------|-----|-----|-----|--|--|--|--|--|--|------|-----------|
|          |                              |                           |                          |                             |                            |                 | DUAL           | CENTER |                 |                     |      | A         | B     | C     | D     | E     | F     | G (COPLAN) | H         |     |     |     |  |  |  |  |  |  |      |           |
| E<br>26  | 87832-2660                   | 87832-2662                | 87832-6262               |                             | 1                          | 1               | YES            | N.A    | YES             | YES                 | YES  | 28.65     | 26.85 | 24.00 | 20.00 | 22.00 | 27.00 | 0.15       | 3.60±0.20 |     |     |     |  |  |  |  |  |  |      |           |
|          | 87832-2620                   | 87832-2622                | 87832-6222               |                             | 1                          | 2               |                |        |                 |                     |      |           |       |       |       |       |       |            |           |     |     |     |  |  |  |  |  |  |      |           |
|          | 87832-2621                   | 87832-2623                | 87832-6223               |                             | 1                          | 3               |                |        |                 |                     |      |           |       |       |       |       |       |            |           |     |     |     |  |  |  |  |  |  |      |           |
|          | 87832-2670                   | 87832-2672                | 87832-6272               |                             | 1                          | 4               |                |        |                 |                     |      |           |       |       |       |       |       | YES        | N.A       | YES | YES | N.A |  |  |  |  |  |  | 0.15 | 3.60±0.20 |
|          | 87832-2612                   | 87832-2616                | N.A                      |                             | N.A                        | 2               |                |        |                 |                     |      |           |       |       |       |       |       |            |           |     |     |     |  |  |  |  |  |  |      |           |
|          | 87832-2619                   | 87832-2645                | 87832-2635               |                             | 1                          | 1               |                |        |                 |                     |      |           |       |       |       |       |       |            |           |     |     |     |  |  |  |  |  |  |      |           |
| D<br>28  | 87832-2860                   | 87832-2862                | 87832-6362               |                             | 1                          | 1               | YES            | N.A    | YES             | YES                 | YES  | 30.65     | 28.85 | 26.00 | 22.00 | 24.00 | 29.00 | 0.15       | 3.60±0.20 |     |     |     |  |  |  |  |  |  |      |           |
|          | 87832-2820                   | 87832-2822                | 87832-6322               |                             | 1                          | 2               |                |        |                 |                     |      |           |       |       |       |       |       |            |           |     |     |     |  |  |  |  |  |  |      |           |
|          | 87832-2821                   | 87832-2823                | 87832-6323               |                             | 1                          | 3               |                |        |                 |                     |      |           |       |       |       |       |       |            |           |     |     |     |  |  |  |  |  |  |      |           |
|          | 87832-2870                   | 87832-2872                | 87832-6372               |                             | 1                          | 4               |                |        |                 |                     |      |           |       |       |       |       |       | YES        | N.A       | YES | YES | N.A |  |  |  |  |  |  | 0.15 | 3.60±0.20 |
|          | N.A                          | 87832-2816                | N.A                      |                             | 1                          | 2               |                |        |                 |                     |      |           |       |       |       |       |       |            |           |     |     |     |  |  |  |  |  |  |      |           |
|          | N.A                          | 87832-2819                | N.A                      |                             | 1                          | 1               |                |        |                 |                     |      |           |       |       |       |       |       |            |           |     |     |     |  |  |  |  |  |  |      |           |
| D<br>30  | 87832-3060                   | 87832-3062                | 87832-6462               |                             | 1                          | 1               | YES            | N.A    | YES             | YES                 | YES  | 32.65     | 30.85 | 28.00 | 24.00 | 26.00 | 31.00 | 0.15       | 3.60±0.20 |     |     |     |  |  |  |  |  |  |      |           |
|          | 87832-3020                   | 87832-3022                | 87832-6422               |                             | 1                          | 2               |                |        |                 |                     |      |           |       |       |       |       |       |            |           |     |     |     |  |  |  |  |  |  |      |           |
|          | 87832-3021                   | 87832-3023                | 87832-6423               |                             | 1                          | 3               |                |        |                 |                     |      |           |       |       |       |       |       |            |           |     |     |     |  |  |  |  |  |  |      |           |
|          | 87832-3070                   | 87832-3072                | 87832-6472               |                             | 1                          | 4               |                |        |                 |                     |      |           |       |       |       |       |       | YES        | N.A       | YES | YES | N.A |  |  |  |  |  |  | 0.15 | 3.60±0.20 |
|          | 87832-3012                   | 87832-3016                | 87832-3014               |                             | 3                          | 2               |                |        |                 |                     |      |           |       |       |       |       |       |            |           |     |     |     |  |  |  |  |  |  |      |           |
| C<br>32  | 87832-3260                   | 87832-3262                | 87832-6562               |                             | 1                          | 1               | YES            | N.A    | YES             | YES                 | YES  | 34.65     | 32.85 | 30.00 | 26.00 | 28.00 | 33.00 | 0.15       | 3.60±0.20 |     |     |     |  |  |  |  |  |  |      |           |
|          | 87832-3220                   | 87832-3222                | 87832-6522               |                             | 1                          | 2               |                |        |                 |                     |      |           |       |       |       |       |       |            |           |     |     |     |  |  |  |  |  |  |      |           |
|          | 87832-3221                   | 87832-3223                | 87832-6523               |                             | 1                          | 3               |                |        |                 |                     |      |           |       |       |       |       |       |            |           |     |     |     |  |  |  |  |  |  |      |           |
|          | 87832-3270                   | 87832-3272                | 87832-6572               |                             | 1                          | 4               |                |        |                 |                     |      |           |       |       |       |       |       |            |           |     |     |     |  |  |  |  |  |  |      |           |
| C<br>34  | 87832-3460                   | 87832-3462                | 87832-6662               | 87832-6630                  | 1                          | 1               | YES            | N.A    | YES             | YES                 | YES  | 36.65     | 34.85 | 32.00 | 28.00 | 30.00 | 35.00 | 0.15       | 3.60±0.20 |     |     |     |  |  |  |  |  |  |      |           |
|          | 87832-3420                   | 87832-3422                | 87832-6622               |                             | 1                          | 2               |                |        |                 |                     |      |           |       |       |       |       |       |            |           |     |     |     |  |  |  |  |  |  |      |           |
|          | 87832-3421                   | 87832-3423                | 87832-6623               |                             | 1                          | 3               |                |        |                 |                     |      |           |       |       |       |       |       |            |           |     |     |     |  |  |  |  |  |  |      |           |
|          | 87832-3470                   | 87832-3472                | 87832-6672               |                             | 1                          | 4               |                |        |                 |                     |      |           |       |       |       |       |       | YES        | N.A       | YES | YES | N.A |  |  |  |  |  |  | 0.15 | 3.60±0.20 |
|          | 87832-3412                   | 87832-3416                | 87832-3414               |                             | 3                          | 2               |                |        |                 |                     |      |           |       |       |       |       |       |            |           |     |     |     |  |  |  |  |  |  |      |           |
|          | 87832-3419                   | 87832-3445                | 87832-3435               |                             | 3                          | 1               |                |        |                 |                     |      |           |       |       |       |       |       |            |           |     |     |     |  |  |  |  |  |  |      |           |
| B<br>36  | 87832-3660                   | 87832-3662                | N.A                      |                             | N.A                        | 1               | YES            | N.A    | YES             | YES                 | YES  | 38.65     | 36.85 | 34.00 | 30.00 | 32.00 | 37.00 | 0.15       | 3.60±0.20 |     |     |     |  |  |  |  |  |  |      |           |
|          | 87832-3620                   | 87832-3622                | N.A                      |                             | N.A                        | 2               |                |        |                 |                     |      |           |       |       |       |       |       |            |           |     |     |     |  |  |  |  |  |  |      |           |
|          | 87832-3621                   | 87832-3623                | 87832-3673               |                             | N.A                        | 3               |                |        |                 |                     |      |           |       |       |       |       |       |            |           |     |     |     |  |  |  |  |  |  |      |           |
|          | 87832-3670                   | 87832-3672                | N.A                      |                             | N.A                        | 4               |                |        |                 |                     |      |           |       |       |       |       |       |            |           |     |     |     |  |  |  |  |  |  |      |           |
| B<br>38  | 87832-3860                   | 87832-3862                | N.A                      |                             | N.A                        | 1               | YES            | N.A    | YES             | YES                 | YES  | 40.65     | 38.85 | 36.00 | 32.00 | 34.00 | 39.00 | 0.15       | 3.60±0.20 |     |     |     |  |  |  |  |  |  |      |           |
|          | 87832-3820                   | 87832-3822                | 87832-6822               |                             | N.A                        | 2               |                |        |                 |                     |      |           |       |       |       |       |       |            |           |     |     |     |  |  |  |  |  |  |      |           |
|          | 87832-3821                   | 87832-3823                | 87832-3874               |                             | N.A                        | 3               |                |        |                 |                     |      |           |       |       |       |       |       |            |           |     |     |     |  |  |  |  |  |  |      |           |
|          | 87832-3870                   | 87832-3872                | N.A                      |                             | N.A                        | 4               |                |        |                 |                     |      |           |       |       |       |       |       |            |           |     |     |     |  |  |  |  |  |  |      |           |

PLATING OPTIONS:

- 0.05-0.13µm/2-5µin GOLD IN CONTACT AREA AND 1.88µm/75µin MIN. MATTE TIN IN SOLDER TAIL AREA OVER 1.27µm/50µin MIN. NICKEL OVERALL.
- 0.38µm/15µin MIN. GOLD IN CONTACT AREA AND 1.88µm/75µin MIN. MATTE TIN IN SOLDER TAIL AREA OVER 1.27µm/50µin MIN. NICKEL OVERALL.
- 0.76µm/30µin MIN. GOLD IN CONTACT AREA AND 1.88µm/75µin MIN. MATTE TIN IN SOLDER TAIL AREA OVER 1.27µm/50µin MIN. NICKEL OVERALL.
- 2.50µm/100µin MIN. MATTE TIN OVER 1.25µm/50µin MIN. NICKEL OVERALL.

THIS DRAWING CONTAINS INFORMATION THAT IS PROPRIETARY TO MOLEX ELECTRONIC TECHNOLOGIES, LLC AND SHOULD NOT BE USED WITHOUT WRITTEN PERMISSION

|  |                |  |                 |   |   |          |   |
|--|----------------|--|-----------------|---|---|----------|---|
| EC NO: 721932<br>DRWN: DANUSA<br>CHK'D: DANUSA<br>REV APPR: MRAMAKRISHNA | 2022/07/25     | GENERAL TOLERANCES (UNLESS SPECIFIED)                | DIMENSION UNITS |   | SCALE                                   |          |  |
|  | 2022/09/20     |  | MM              | INCH  | MM                                      | NTS      |   |
|  | 2022/09/20     |  | DRWN BY         | DATE  | MILLIGRID                               |          |   |
|  |                |  | GMENARLY        | 2015/05/22  | 2MM PITCH, SMT VERTICAL SHROUDED HEADER |          |   |
|  | 4 PLACES ±     | 3 PLACES ±   | CHK'D BY        | DATE  | PRODUCT CUSTOMER DRAWING                |          |   |
|  | 2 PLACES ± 0.2 | 1 PLACES ±   | CGOH            | 2015/09/21  |   |          |   |
|  | 0 PLACES ±     |  | APPR BY         | DATE  |   |          |   |
|  |                |  | KHLIM           | 2015/09/22  |   |          |   |
|  |                | ANGULAR TOL = 3.0                                    | DRAWING SIZE    | THIRD ANGLE PROJECTION  |   |          |   |
|  |                | DRAFT WHERE APPLICABLE MUST REMAIN WITHIN DIMENSIONS | A3              |  |   |          |   |
| RELEASE STATUS   | P1             | RELEASE DATE   | 2022/09/20      | 09:04:31  |   |          |   |
| A21  |                | SD-87832-0001  |                 | PSD   | 001                                     | 10 OF 13 |   |


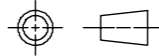
40 TO 50 CIRCUITS

| CKT SIZE | ASSY P/N WITHOUT CAP IN TUBE | ASSY P/N WITH CAP IN TUBE | ASSY P/N WITH CAP IN T&R | ASSY P/N WITHOUT CAP IN T&R | T&R OPTIONS (SEE SHEET 12) | PLATING OPTIONS | FRICTION LOCKS |        | DUAL SIDE SLOTS | CENTER POLARIZATION | PEGS | DIMENSION |       |       |       |       |       |            |           |           |  |
|----------|------------------------------|---------------------------|--------------------------|-----------------------------|----------------------------|-----------------|----------------|--------|-----------------|---------------------|------|-----------|-------|-------|-------|-------|-------|------------|-----------|-----------|--|
|          |                              |                           |                          |                             |                            |                 | DUAL           | CENTER |                 |                     |      | A         | B     | C     | D     | E     | F     | G (COPLAN) | H         |           |  |
| 40       | 87832-4060                   | 87832-4062                | 87832-6962               |                             | 1                          | 1               |                |        |                 |                     |      |           |       |       |       |       |       |            |           |           |  |
|          | 87832-4020                   | 87832-4022                | 87832-6922               |                             | 1                          | 2               |                |        |                 |                     |      |           |       |       |       |       |       |            |           |           |  |
|          | 87832-4021                   | 87832-4023                | 87832-6923               |                             | 1                          | 3               | YES            | N.A    | YES             | YES                 | YES  | 42.65     | 40.85 | 38.00 | 34.00 | 36.00 | 41.00 | 0.15       | 3.60±0.20 |           |  |
|          | 87832-4070                   | 87832-4072                | 87832-6972               |                             | 1                          | 4               |                |        |                 |                     |      |           |       |       |       |       |       |            |           |           |  |
|          | 87832-4012                   | 87832-4016                | N.A                      |                             | N.A                        | 2               | YES            | N.A    | YES             | YES                 | N.A  |           |       |       |       |       |       |            | 0.15      | 3.60±0.20 |  |
| 42       | 87832-4260                   | 87832-4262                | N.A                      |                             | N.A                        | 1               |                |        |                 |                     |      |           |       |       |       |       |       |            |           |           |  |
|          | 87832-4220                   | 87832-4222                | 87832-4230               |                             | N.A                        | 2               |                |        |                 |                     |      |           |       |       |       |       |       |            |           |           |  |
|          | 87832-4221                   | 87832-4223                | N.A                      |                             | N.A                        | 3               | YES            | N.A    | YES             | YES                 | YES  | 44.65     | 42.85 | 40.00 | 36.00 | 38.00 | 43.00 | 0.15       | 3.60±0.20 |           |  |
|          | 87832-4270                   | 87832-4272                | N.A                      |                             | N.A                        | 4               |                |        |                 |                     |      |           |       |       |       |       |       |            |           |           |  |
| 44       | 87832-4460                   | 87832-4462                | 87832-7162               |                             | 1                          | 1               |                |        |                 |                     |      |           |       |       |       |       |       |            |           |           |  |
|          | 87832-4420                   | 87832-4422                | 87832-7122               |                             | 1                          | 2               |                |        |                 |                     |      |           |       |       |       |       |       |            |           |           |  |
|          | 87832-4421                   | 87832-4423                | 87832-7123               |                             | 1                          | 3               | YES            | N.A    | YES             | YES                 | YES  | 46.65     | 44.85 | 42.00 | 38.00 | 40.00 | 45.00 | 0.15       | 3.60±0.20 |           |  |
|          | 87832-4470                   | 87832-4472                | 87832-7172               |                             | 1                          | 4               |                |        |                 |                     |      |           |       |       |       |       |       |            |           |           |  |
|          | 87832-4413                   | 87832-4417                | 87832-4415               |                             | 3                          | 3               | YES            | N.A    | YES             | YES                 | N.A  |           |       |       |       |       |       |            | 0.15      | 3.60±0.20 |  |
| 46       | 87832-4660                   | 87832-4662                | 87832-7262               |                             | 1                          | 1               |                |        |                 |                     |      |           |       |       |       |       |       |            |           |           |  |
|          | 87832-4620                   | 87832-4622                | 87832-7222               | 87832-7230                  | 1                          | 2               |                |        |                 |                     |      |           |       |       |       |       |       |            |           |           |  |
|          | 87832-4621                   | 87832-4623                | N.A                      |                             | N.A                        | 3               | YES            | N.A    | YES             | YES                 | YES  | 48.65     | 46.85 | 44.00 | 40.00 | 42.00 | 47.00 | 0.15       | 3.60±0.20 |           |  |
|          | 87832-4670                   | 87832-4672                | 87832-7272               |                             | 1                          | 4               |                |        |                 |                     |      |           |       |       |       |       |       |            |           |           |  |
| 48       | 87832-4860                   | 87832-4862                | N.A                      |                             | N.A                        | 1               |                |        |                 |                     |      |           |       |       |       |       |       |            |           |           |  |
|          | 87832-4820                   | 87832-4822                | N.A                      |                             | N.A                        | 2               |                |        |                 |                     |      |           |       |       |       |       |       |            |           |           |  |
|          | 87832-4821                   | 87832-4823                | N.A                      |                             | N.A                        | 3               | YES            | N.A    | YES             | YES                 | YES  | 50.65     | 48.85 | 46.00 | 42.00 | 44.00 | 49.00 | 0.15       | 3.60±0.20 |           |  |
|          | 87832-4870                   | 87832-4872                | N.A                      |                             | N.A                        | 4               |                |        |                 |                     |      |           |       |       |       |       |       |            |           |           |  |
| 50       | 87832-5060                   | 87832-5062                | 87832-7462               |                             | 1                          | 1               |                |        |                 |                     |      |           |       |       |       |       |       |            |           |           |  |
|          | 87832-5020                   | 87832-5022                | 87832-7422               |                             | 1                          | 2               |                |        |                 |                     |      |           |       |       |       |       |       |            |           |           |  |
|          | 87832-5021                   | 87832-5023                | 87832-7423               |                             | 1                          | 3               | YES            | N.A    | YES             | YES                 | YES  | 52.65     | 50.85 | 48.00 | 44.00 | 46.00 | 51.00 | 0.15       | 3.60±0.20 |           |  |
|          | 87832-5070                   | 87832-5072                | 87832-7472               |                             | 1                          | 4               |                |        |                 |                     |      |           |       |       |       |       |       |            |           |           |  |
|          | 87832-5012                   | 87832-5016                | N.A                      |                             | N.A                        | 2               | YES            | N.A    | YES             | YES                 | N.A  |           |       |       |       |       |       |            | 0.15      | 3.60±0.20 |  |

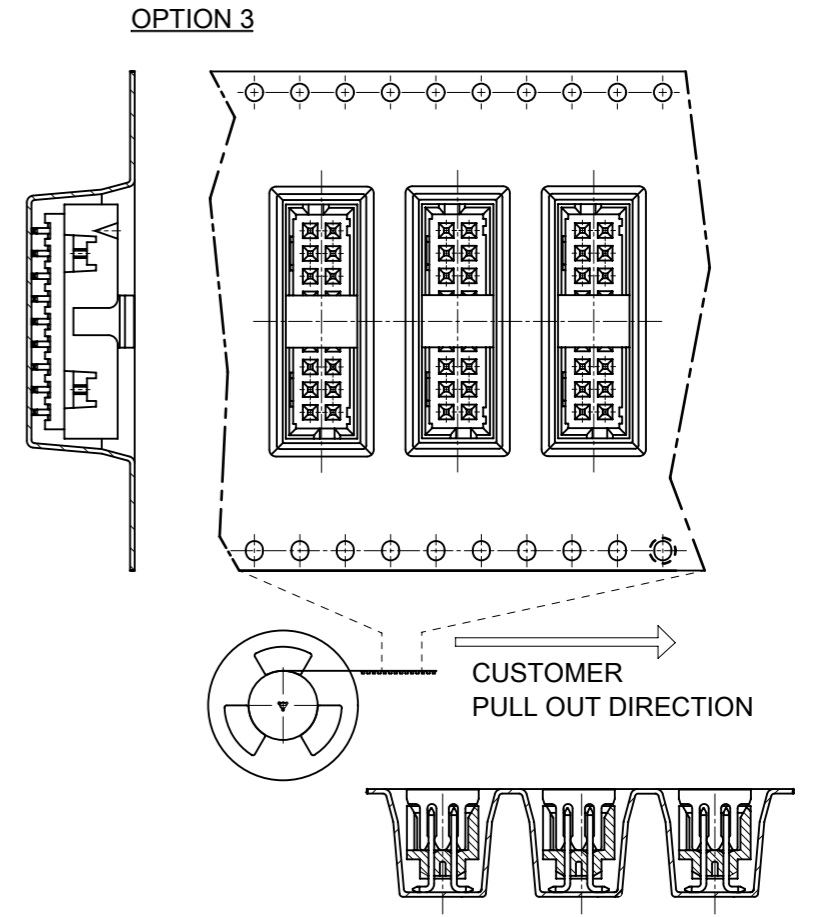
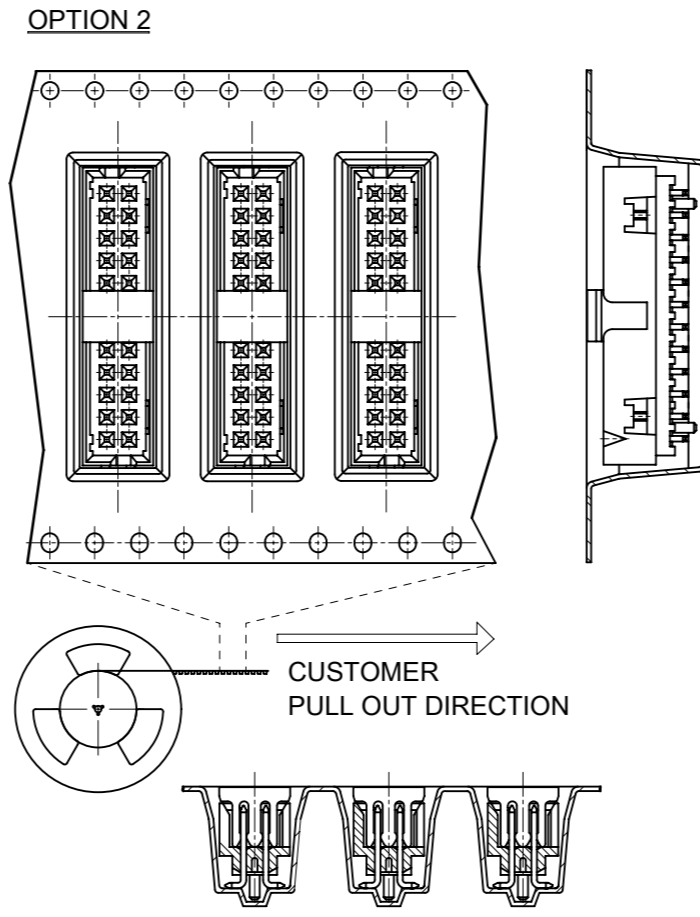
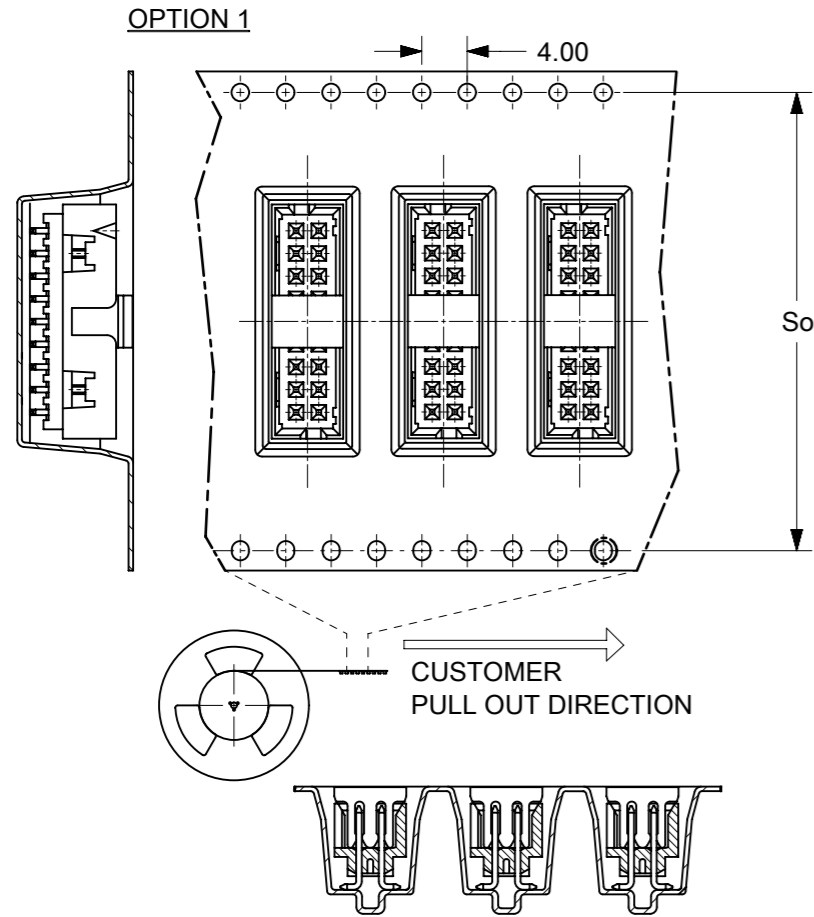
**PLATING OPTIONS:**

- 1 - 0.05-0.13µm/2-5µin GOLD IN CONTACT AREA AND 1.88µm/75µin MIN. MATTE TIN IN SOLDER TAIL AREA OVER 1.27µm/50µin MIN. NICKEL OVERALL.
- 2 - 0.38µm/15µin MIN. GOLD IN CONTACT AREA AND 1.88µm/75µin MIN. MATTE TIN IN SOLDER TAIL AREA OVER 1.27µm/50µin MIN. NICKEL OVERALL.
- 3 - 0.76µm/30µin MIN. GOLD IN CONTACT AREA AND 1.88µm/75µin MIN. MATTE TIN IN SOLDER TAIL AREA OVER 1.27µm/50µin MIN. NICKEL OVERALL.
- 4 - 2.50µm/100µin MIN. MATTE TIN OVER 1.25µm/50µin MIN. NICKEL OVERALL.

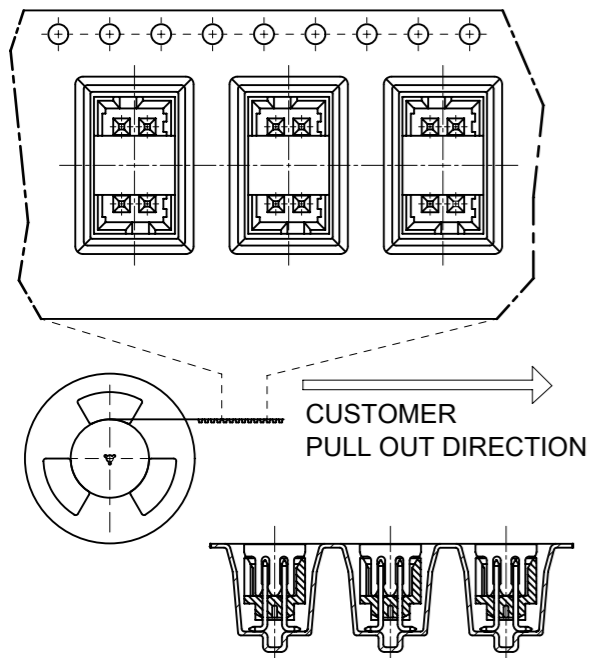
THIS DRAWING CONTAINS INFORMATION THAT IS PROPRIETARY TO MOLEX ELECTRONIC TECHNOLOGIES, LLC AND SHOULD NOT BE USED WITHOUT WRITTEN PERMISSION

|  |  |   |                 |   |            |   |   |
|--|--|---|-----------------|---|------------|---|---|
| EC NO: 721932<br>DRWN: DANUSA<br>CHKD: DANUSA<br>REV APPR: MIRAMAKRISHNA | GENERAL TOLERANCES (UNLESS SPECIFIED)                |   | DIMENSION UNITS |   | SCALE      |   | <br><br>MILLIGRID<br>2MM PITCH, SMT VERTICAL SHROUDED HEADER<br><br>PRODUCT CUSTOMER DRAWING |
|  |  |   | MM              | INCH  | MM         | NTS   |   |
|  | 4 PLACES   | ± |                 |   | DRWN BY    | DATE  |   |
|  | 3 PLACES   | ± |                 |   | GMENARLY   | 2015/05/22  |   |
| 2 PLACES   | ± 0.2  |   |                 | CHK'D BY  | DATE       | SERIES: 87832<br>MATERIAL NUMBER: SEE TABLE<br>CUSTOMER: GENERAL MARKET<br><br>DOCUMENT NUMBER: SD-87832-0001<br>DOC TYPE: PSD<br>DOC PART: 001<br>SHEET NUMBER: 11 OF 13 |   |
| 1 PLACES   | ±  |   |                 | CGOH  | 2015/09/21 |   |   |
| 0 PLACES   | ±  |   |                 | APPR BY   | DATE       |   |   |
|  |  |   |                 | KHLIM   | 2015/09/22 |   |   |
|  | ANGULAR TOL = 3.0                                    |   | DRAWING SIZE    | THIRD ANGLE PROJECTION  |            |   |   |
|  | DRAFT WHERE APPLICABLE MUST REMAIN WITHIN DIMENSIONS |   | A3              |  |            |   |   |

# PACKAGING OPTIONS



VIEW FOR 1 SIDE PILOT HOLE



## PACKAGING SPECIFICATION TABLE

|  |              |
|--|--------------|
| TAPE AND REEL PACKAGING  | PK-87832-300 |
| TUBE STANDARD PACKAGING  | PK-87831-001 |
| TUBE NON-STANDARD PACKAGING FOR:<br>87832-0411<br>87832-0824<br>87832-1072<br>87832-1412 | PK-87831-002 |

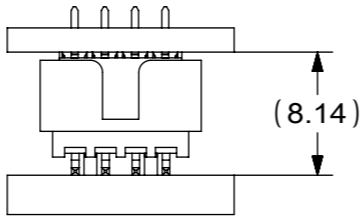
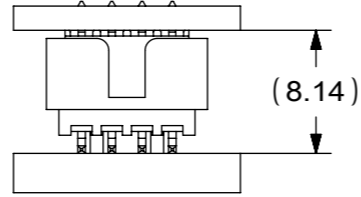
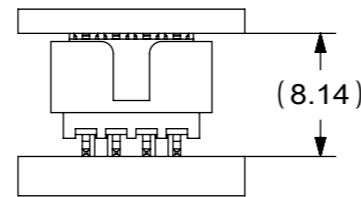
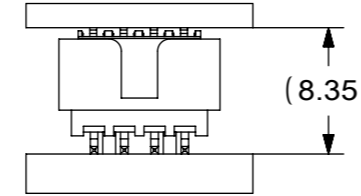
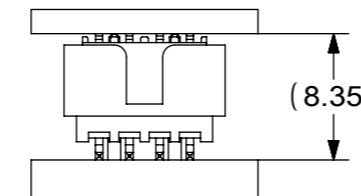
## EMBOSSED TAPE & REEL POCKET DESCRIPTIONS


| OPTIONS | CENTER POLARIZATION OPTIONS |              | PEG OPTIONS |             | PILOT HOLE OPTIONS |          |
|---------|-----------------------------|--------------|-------------|-------------|--------------------|----------|
|         | ON THE LEFT                 | ON THE RIGHT | WITH PEG    | WITHOUT PEG | 2 SIDES            | 1 SIDE   |
| 1       | YES                         | N.A          | YES         | N.A         | CKT 12-50          | CKT 4-10 |
| 2       | N.A                         | YES          | YES         | YES         | CKT 12-50          | CKT 4-10 |
| 3       | YES                         | N.A          | N.A         | YES         | CKT 12-50          | CKT 4-10 |

THIS DRAWING CONTAINS INFORMATION THAT IS PROPRIETARY TO MOLEX ELECTRONIC TECHNOLOGIES, LLC AND SHOULD NOT BE USED WITHOUT WRITTEN PERMISSION

|  |  |                                       |              |                        |   |                        |  |
|--|--|---------------------------------------|--------------|------------------------|---|------------------------|--|
| EC NO: 721932<br>DRWN: DANUSA<br>CHK'D: DANUSA<br>REV APPR: MRAMAKRISHNA | 2022/07/25   | GENERAL TOLERANCES (UNLESS SPECIFIED) |              | DIMENSION UNITS        | SCALE   |                        |  |
|  | 2022/09/20   | MM                                    | INCH         | MM                     | NTS   |                        |  |
|  | 2022/09/20   | 4 PLACES ±                            | ±            | DRWN BY                | DATE  |                        | MILLIGRID<br>2MM PITCH, SMT VERTICAL SHROUDED HEADER |
|  |  | 3 PLACES ±                            | ±            | GMENARLY               | 2015/05/22  |                        |  |
|  | 2 PLACES ± 0.2                                       | ±                                     | CHK'D BY     | DATE                   | PRODUCT CUSTOMER DRAWING  |                        |  |
|  | 1 PLACES ±   | ±                                     | CGOH         | 2015/09/21             |   |                        |  |
|  | 0 PLACES ±   | ±                                     | APPR BY      | DATE                   | SERIES: 87832<br>MATERIAL NUMBER: SEE TABLE<br>CUSTOMER: GENERAL MARKET |                        |  |
|  | ANGULAR TOL = 3.0                                    |                                       | KHLIM        | 2015/09/22             |   |                        |  |
|  | DRAFT WHERE APPLICABLE MUST REMAIN WITHIN DIMENSIONS |                                       | DRAWING SIZE | THIRD ANGLE PROJECTION | DOCUMENT NUMBER: SD-87832-0001  | DOC TYPE: PSD          |  |
| A21  |  |                                       | A3           |                        | DOC PART: 001   | SHEET NUMBER: 12 OF 13 |  |

# BOARD TO BOARD (BTB) DISTANCE

| HEADER | MATES WITH (RECEPTACLE) | BTB DIST. | PICTORIAL VIEW  |
|--------|-------------------------|-----------|---|
| 87832  | 79107                   | 8.14      |    |
|        | 78787                   | 8.14      |    |
|        | 79108                   | 8.14      |   |
|        | 79109                   | 8.35      |  |
|        | 78788                   | 8.35      |  |

|   |  |       |  |  |  |                        |  |  |  |   |          |                 |          |              |
|---|--|-------|--|--|--|------------------------|--|--|--|---|----------|-----------------|----------|--------------|
| THIS DRAWING CONTAINS INFORMATION THAT IS PROPRIETARY TO MOLEX ELECTRONIC TECHNOLOGIES, LLC AND SHOULD NOT BE USED WITHOUT WRITTEN PERMISSION |  |       |  |  |  |                        |  |  |  |   |          |                 |          |              |
| DIMENSION UNITS   |  | SCALE |  | CURRENT REV DESC:                                    |  |                        |  |  |  |  |          |                 |          |              |
| mm  |  | NTS   |  |  |  |                        |  |  |  |   |          |                 |          |              |
| GENERAL TOLERANCES (UNLESS SPECIFIED)   |  |       |  | EC NO: 721932  |  | 2022/07/25             |  | MILLIGRID<br>2MM PITCH, SMT VERTICAL SHROUDED HEADER |  |   |          |                 |          |              |
|   |  |       |  | DRWN: DANUSA   |  | 2022/09/20             |  |  |  |   |          |                 |          |              |
|   |  |       |  | CHK'D: DANUSA  |  | 2022/09/20             |  | PRODUCT CUSTOMER DRAWING                             |  |   |          |                 |          |              |
|   |  |       |  | APPR: MRAMAKRISHNA                                   |  | 2022/09/20             |  |  |  |   |          |                 |          |              |
|   |  |       |  | INITIAL REVISION:                                    |  |                        |  | DOCUMENT NUMBER                                      |  | DOC TYPE  | DOC PART | REVISION        |          |              |
| 4 PLACES ±  |  |       |  | DRWN: DRWN BY  |  | XXXX/XX/XX             |  | SD-87832-0001  |  | PSD   | 001      | A21             |          |              |
| 3 PLACES ±  |  |       |  | APPR: APPR BY  |  | XXXX/XX/XX             |  |  |  |   |          |                 |          |              |
| 2 PLACES ± 0.2  |  |       |  | DRAFT WHERE APPLICABLE MUST REMAIN WITHIN DIMENSIONS |  | THIRD ANGLE PROJECTION |  | DRAWING  |  | SERIES  |          | MATERIAL NUMBER | CUSTOMER | SHEET NUMBER |
| 1 PLACE ±   |  |       |  |  |  |                        |  | A3-SIZE  |  | 87832   |          | GENERAL MARKET  |          | 13 OF 13     |
| 0 PLACES ±  |  |       |  |  |  |                        |  |  |  |   |          |                 |          |              |
| ANGULAR TOL ± 3.0°  |  |       |  |  |  |                        |  |  |  |   |          |                 |          |              |