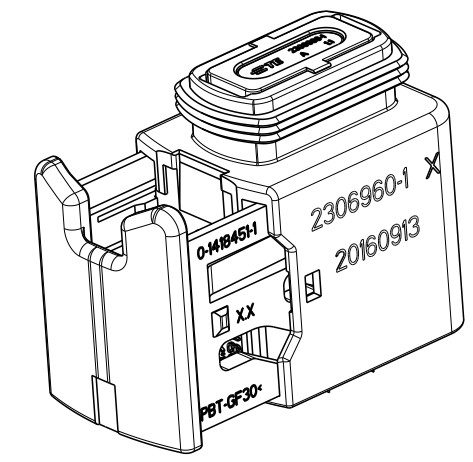
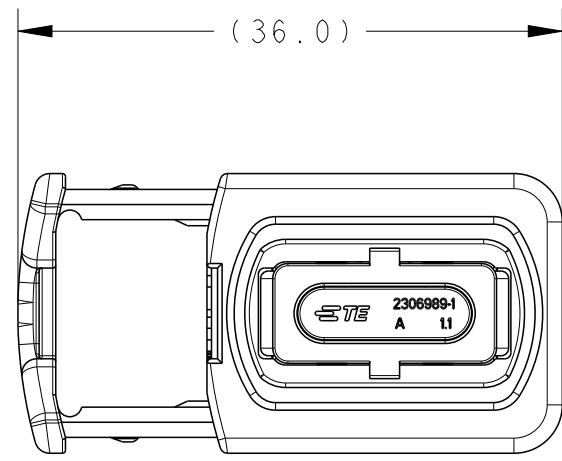


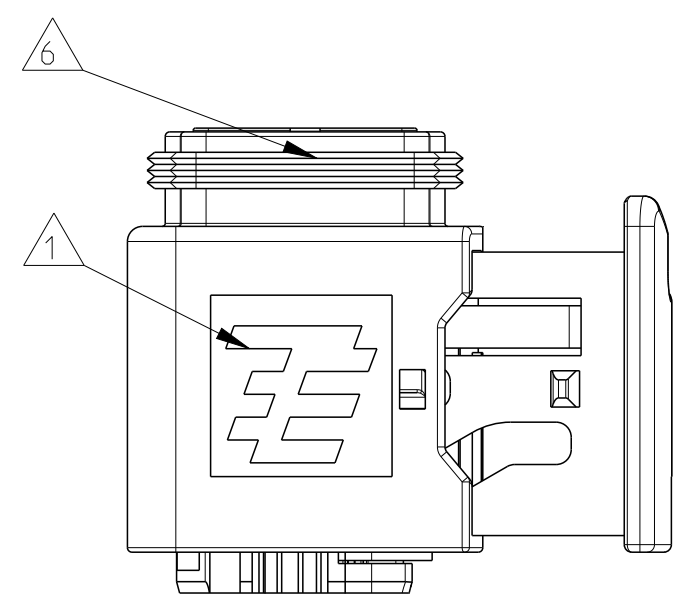
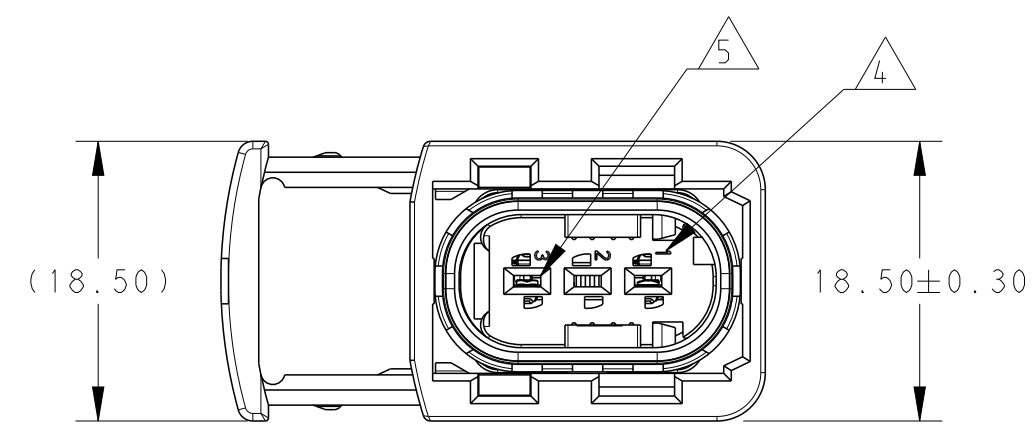
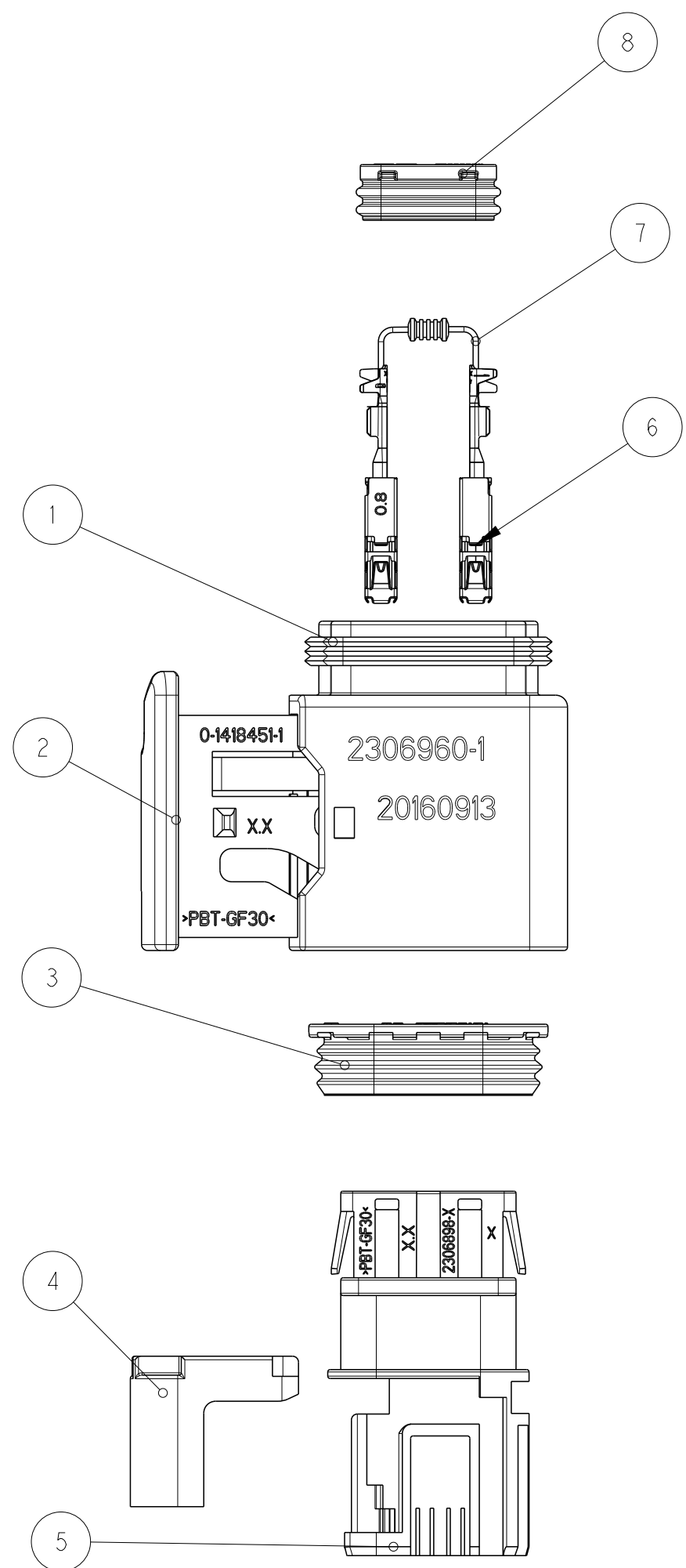
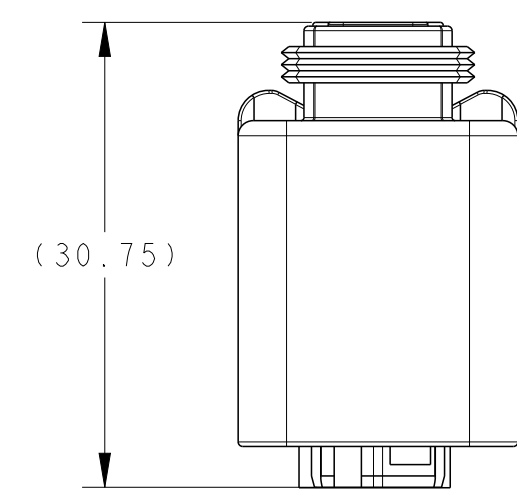
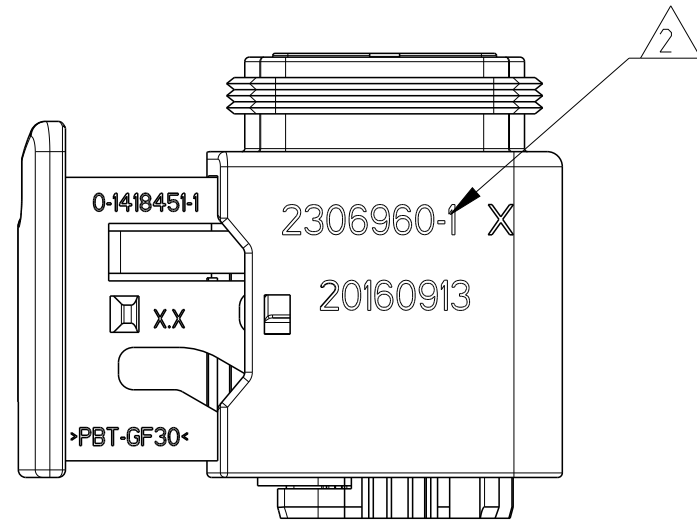
THIS DRAWING IS UNPUBLISHED. RELEASED FOR PUBLICATION 20
 © COPYRIGHT 20 BY - ALL RIGHTS RESERVED.

| REVISIONS | | | | |
|-----------|-----|-----------------|-----------|---------|
| P | LTR | DESCRIPTION | DATE | APVD |
| | A | INITIAL RELEASE | 20JUL2017 | C.W I.Y |
| | | | | |
| | | | | |



NOTES

- 1 TE LOGO
- 2 ASSY PN, PRODUCTION DATE (CALENDAR DAY/YEAR); MARKING OPTIONAL AS LASER ENGRAVING OR LASER WITH COLOR CHANGE
- 3 BULK PACKAGING IN CORRUGATED BOX
- 4 CAVITY NUMBERING
- 5 CAVITIES MATED WITH AMP MCP 1.5k SEE PRODUCT GROUP DRAWING TE NO: 1241436
- 6 IN CASE OF IPX9K WATERPROOF GRADE APPLICATION. REFER TO DRAWING: 1670150, 1670365 FOR SUITABLE PROTECTIVE COVER.
- 7 FITS TO TE INTERFACE DRAWING 114-18743-1
- 8 SUITABLE COUNTERPART SEE DRAWING: 1670730, 1703843, 2278730
- 9 DELIVERY CONDITION: SECONDARY LOCKING IN LOCK POSITION AND SLIDE IN PRE-LOCKED POSITION
- 10 RESISTOR CHARACTERISTICS: 120 OHMS±10%, AT 70°C, 0.4WATTS MIN.



| Q'TY | COLOUR | MATERIAL | DESCRIPTION | ITEM NO |
|--------------------------------|--------|----------|-------------------|---------|
| 1 | WHITE | SILICONE | CAVITY BLOCK CAP | 8 |
| 1 | - | - | 120 ohm RESISTOR | 7 |
| 2 | - | Cu ALLOY | CONTACT | 6 |
| 1 | WHITE | PBT-GF30 | 3POS CAVITY BLOCK | 5 |
| 1 | YELLOW | PBT-GF30 | 3POS. SEC. LOCK | 4 |
| 1 | WHITE | SILICONE | 2-3POS. SEAL | 3 |
| 1 | YELLOW | PBT-GF30 | 2-3POS. U-SLIDE | 2 |
| 1 | BLACK | PBT-GF30 | 2-3POS. REC. HSG | 1 |
| 2306960-1 PART NUMBER OF ASS'Y | | | | |
| A PRODUCT VERSION | | | | |
| 11.80 WEIGHT OF ASS'Y PART | | | | |

THIS DRAWING IS A CONTROLLED DOCUMENT.

| | | | |
|-------------|--|------------------|-----------|
| DIMENSIONS: | TOLERANCES UNLESS OTHERWISE SPECIFIED: | DWN | 09OCT2017 |
| mm | 0 PLC ± | CHK | 09OCT2017 |
| | 1 PLC ±0.5 | APVD | 09OCT2017 |
| | 2 PLC ±0.25 | PRODUCT SPEC | |
| | 3 PLC ± | APPLICATION SPEC | |
| | 4 PLC ± | WEIGHT | 11.8g |
| MATERIAL | FINISH | CUSTOMER DRAWING | |

TE Connectivity

NAME: HDSCS WITH 120ohms RESISTOR 3POS. FEMALE CONNECTOR

SIZE: A2 CAGE CODE: 00779 DRAWING NO: C-2306960 RESTRICTED TO: -

SCALE: 2:1 SHEET 1 OF 1 REV A