

176146-2 ✓ ACTIVE

AMP | Econoseal

TE Internal #: 176146-2

Housing for Female Terminals, Wire-to-Wire, 2 Position, .311 in [7.9 mm] Centerline, Sealable, Black, Signal, Cable Mount (Free-Hanging), Econoseal

[View on TE.com >](#)



Connectors > Automotive Connectors > Automotive Housings > ECONOSEAL, CONNECTOR HOUSING



Connector & Housing Type: **Housing for Female Terminals**

Mating Tab Width: **4.8 mm [.189 in]**

Connector System: **Wire-to-Wire**

Number of Positions: **2**

Centerline (Pitch): **7.9 mm [.311 in]**

[All ECONOSEAL, CONNECTOR HOUSING \(108\)](#)

Features

Product Type Features

Connector Shape	Rectangular
Connector & Housing Type	Housing for Female Terminals
Connector System	Wire-to-Wire
Sealable	Yes
Hybrid Connector	No
Primary Locking Feature	Integrated in Housing

Configuration Features

Number of Positions	2
Number of Rows	1

Electrical Characteristics

Operating Voltage	13 VDC
Nominal Voltage Architecture	12 V

Body Features

Cable Exit Angle	180°
Primary Product Color	Black

Contact Features

--	--



Contact Size	4.8mm
Contact Type	Receptacle
Mating Tab Width	4.8 mm[.189 in]

Mechanical Attachment

Terminal Position Assurance	Yes
Strain Relief	Without
Mating Alignment Type	Polarization Slot
Mating Alignment	With
Connector Mounting Type	Cable Mount (Free-Hanging)

Housing Features

Housing Material	PBT
Centerline (Pitch)	7.9 mm[.311 in]

Dimensions

Connector Height	27.5 mm[1.083 in]
Product Width	27.6 mm[1.087 in]
Product Length	31.6 mm[1.244 in]

Usage Conditions

Operating Temperature (Max)	70 °C, 75 °C, 80 °C, 85 °C, 90 °C, 100 °C, 105 °C[158 °F][167 °F][176 °F][185 °F][194 °F][212 °F][221 °F]
Operating Temperature Range	-30 – 105 °C[-22 – 221 °F]

Operation/Application

Circuit Application	Signal
---------------------	--------

Industry Standards

UL Flammability Rating	UL 94V-2
------------------------	----------

Packaging Features

Packaging Quantity	50
--------------------	----

Other

Serviceable	Yes
Connector Position Assurance Capable	No

Product Compliance

For compliance documentation, visit the product page on [TE.com](https://www.te.com)>

EU RoHS Directive 2011/65/EU	Compliant
EU ELV Directive 2000/53/EC	Compliant
China RoHS 2 Directive MIIT Order No 32, 2016	No Restricted Materials Above Threshold
EU REACH Regulation (EC) No. 1907/2006	Current ECHA Candidate List: JUNE 2023 (235) Candidate List Declared Against: JUNE 2023 (235) Does not contain REACH SVHC
Halogen Content	Not Low Halogen - contains Br or Cl > 900 ppm.
Solder Process Capability	Not applicable for solder process capability

Product Compliance Disclaimer

This information is provided based on reasonable inquiry of our suppliers and represents our current actual knowledge based on the information they provided. This information is subject to change. The part numbers that TE has identified as EU RoHS compliant have a maximum concentration of 0.1% by weight in homogenous materials for lead, hexavalent chromium, mercury, PBB, PBDE, DBP, BBP, DEHP, DIBP, and 0.01% for cadmium, or qualify for an exemption to these limits as defined in the Annexes of Directive 2011/65/EU (RoHS2). Finished electrical and electronic equipment products will be CE marked as required by Directive 2011/65/EU. Components may not be CE marked. Additionally, the part numbers that TE has identified as EU ELV compliant have a maximum concentration of 0.1% by weight in homogenous materials for lead, hexavalent chromium, and mercury, and 0.01% for cadmium, or qualify for an exemption to these limits as defined in the Annexes of Directive 2000/53/EC (ELV). Regarding the REACH Regulation, the information TE provides on SVHC in articles for this part number is based on the latest European Chemicals Agency (ECHA) 'Guidance on requirements for substances in articles' posted at this URL: <https://echa.europa.eu/guidance-documents/guidance-on-reach>

Compatible Parts



Also in the Series | Econoseal



Automotive Connector Caps & Covers (1)



Automotive Connector Locks & Position Assurance(25)



Automotive Housings(105)



Automotive Terminals(48)



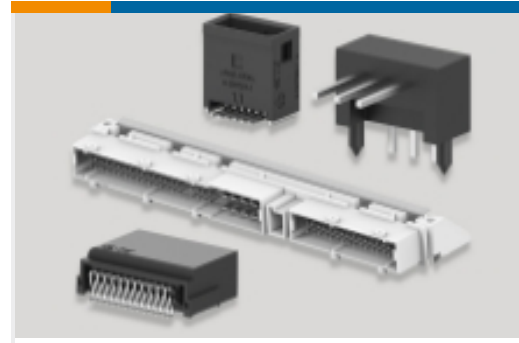
Connector Seals & Cavity Plugs(19)



Insertion & Extraction Tools(7)



Other Automotive Connector Accessories(5)



PCB Headers & Receptacles(4)



Primary Wire(1)

Customers Also Bought



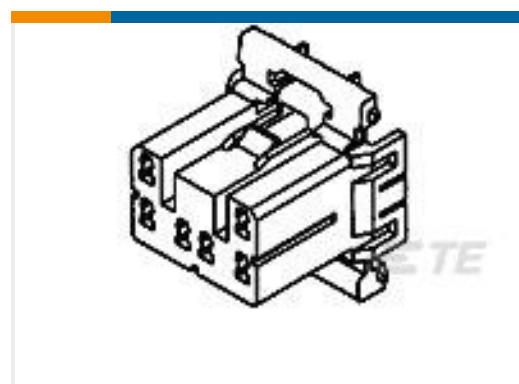
TE Part #173271-2
250 SERIES HORN CONNECTOR,
PLUG HSG



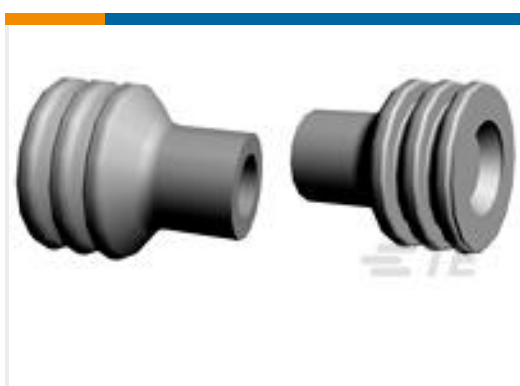
TE Part #6-176146-6
.187 PLUG HSG ASSY 2P GRAY



TE Part #175088-1
Econoseal Receptacles and Tabs



TE Part #368543-1
070 MLC PLUG 14P HSG



TE Part #85011-1
RUBBER PLUG FOR SEALED CONN.



TE Part #368269-1
CLIP FOR 090 II MLC(KEY HOLE)



TE Part #1897793-2
TAB SHIELD AR5 FOR RF S/L



TE Part #1897795-3
RF S/L 2P REC DIELEC AR5 HSG



Documents

Product Drawings

[187 PLUG HSG 2P BLACK](#)

English

CAD Files

Customer View Model

[ENG_CVM_176146-2_E.3d_igs.zip](#)

English

Customer View Model

[ENG_CVM_176146-2_E.3d_stp.zip](#)

English

Customer View Model

[ENG_CVM_176146-2_E.2d_dxf.zip](#)

English

3D PDF

English

By downloading the CAD file I accept and agree to the [Terms and Conditions](#) of use.

Datasheets & Catalog Pages

[Econoseal Connector Series](#)

English

Product Specifications

[Application Specification](#)

English

[Crimping of 187 Series, Waterproof Contact](#)

English

Instruction Sheets

[Instruction Sheet \(non U.S.\)](#)

Japanese