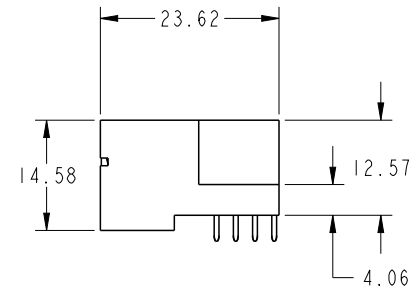
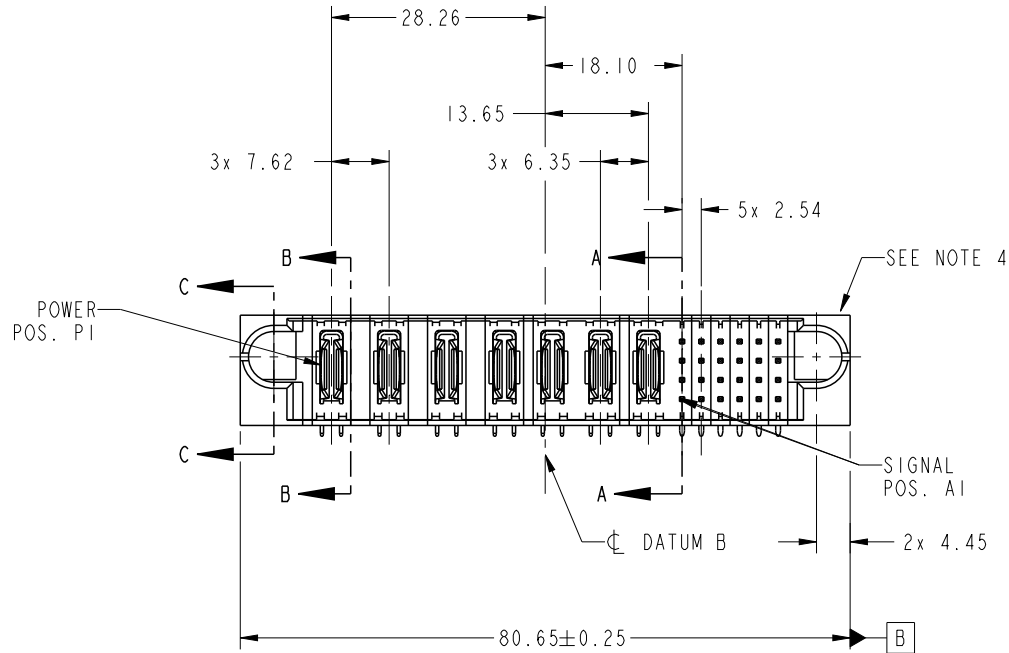


PRODUCT NO.	ROWS	POWER							SIGNAL																												
		E1	P1	P2	P3	P4	P5	P6	P7	1	2	3	4	5	6	E2																					
51939-766-- NOTE 3	D C B A		PA	PA	PA	PA	PA	PA	PA	U	H	U	H	U	H	T	T	G	G	T	G	F	F	F	F	S	S	F	F	R	R	R	R	E	E	E	E

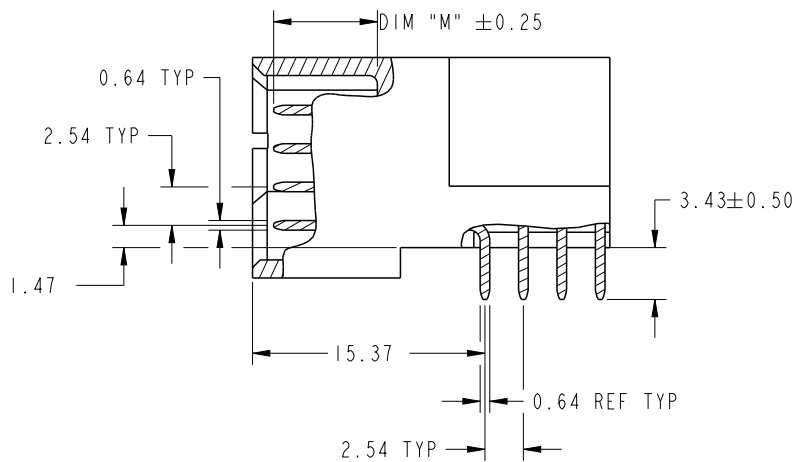


CODE	DIM "M" MATING LENGTH	CONTACT TYPE
U	[6.86]	SIGNAL
T	[6.86]	SIGNAL
E	[5.59]	SIGNAL
F	[5.59]	SIGNAL
R	[6.86]	SIGNAL
H	[5.59]	SIGNAL
G	[5.59]	SIGNAL
S	[6.86]	SIGNAL
PA	[N/A]	POWER

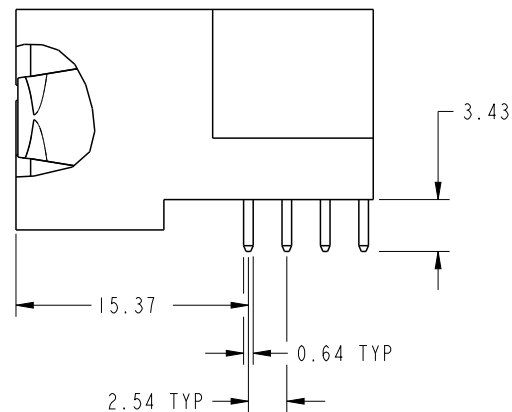
spec ref	*	dr	Ruan MT	2013/04/29	projection	MM	size	A4	scale	1:1
tolerance std	TOLERANCES UNLESS OTHERWISE SPECIFIED	eng	Ruan MT	2013/05/20			ecn no	-	rel level	Released
ASME Y14.5		chr	-	-						
surface		appr	Pei-Ming Zheng	2013/05/20		product family				
ASME Y14.5	linear	0.X	±0.5		3ACP + 4P + 24S	dwg no	51939-766	rev	A	
		0.XX	±0.25							
		0.XXX	±0.1							
	angular	0°	±2°	www.fci.com	cat. no.	-	Product - Customer Drw	sheet 1 of 4		

PRODUCT NUMBER

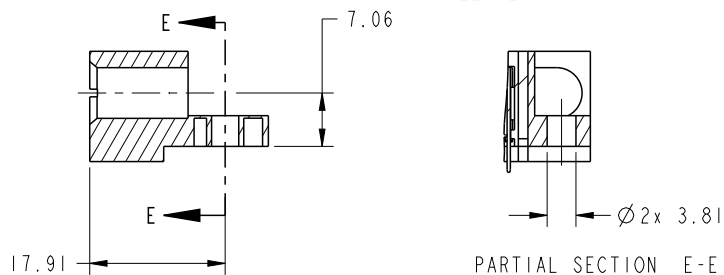
51939-766--  
NOTE: 3



BROKEN-OUT SECTION A-A  
SCALE 2:1



BROKEN-OUT SECTION B-B  
SCALE 2:1



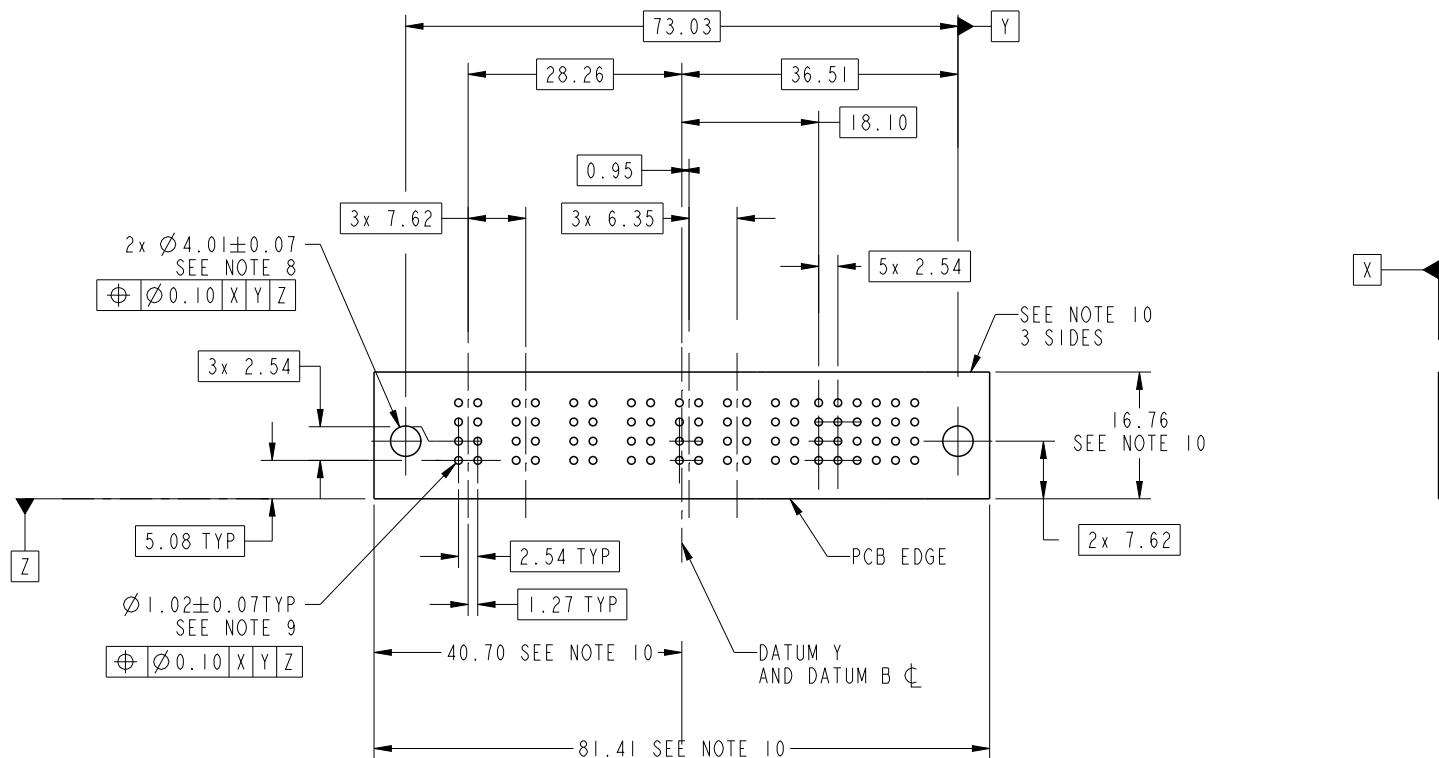
SECTION C-C

PARTIAL SECTION E-E

dr	Ruan MT	2013/04/29	projection 	MM ←→	size	A4	scale	1:1
eng	Ruan MT	2013/05/20			ecn no	-		
chr	-	-						
appr	Pei-Ming Zheng	2013/05/20	product family	PwrBlade	rel level	Released		
	title	3ACP + 4P + 24S RIGHT ANGLE SOLDER HEADER		dwg no	51939-766		rev	A
www.fci.com	cat. no.	-	Product - Customer Drw			sheet 2 of 4		

PRODUCT NUMBER

51939-766\_\_  
NOTE: 3



RECOMMENDED PCB LAYOUT

dr	Ruan MT	2013/04/29	projection 	MM 	size	A4	scale	1:1	
eng	Ruan MT	2013/05/20			ecn no	-			
chr	-	-			rel level	Released			
appr	Pei-Ming Zheng	2013/05/20	product family	PwrBlade					
	title	3ACP + 4P + 24S RIGHT ANGLE SOLDER HEADER			dwg no	51939-766		rev	A
www.fci.com	cat. no.	-	Product - Customer Drw			sheet 3 of 4			

PRODUCT NUMBER

51939-766\_\_  
NOTE: 3

NOTES:

1. DIMENSIONS AND TOLERANCES ARE IN ACCORDANCE WITH ASME Y14.5M, 1994 UNLESS OTHERWISE SPECIFIED.

CONNECTOR NOTES:

- 2. HOUSING MATERIAL: UL 94 V-0 GLASS FILLED HIGH-TEMP THERMOPLASTIC  
POWER CONTACT MATERIAL: COPPER ALLOY  
SIGNAL PIN MATERIAL: COPPER ALLOY
- 3. SEE ITEM 1 & 2 IN PRINT 10064183 FOR PLATING SPEC OF 51939-766 AND 51939-766LF RESPECTIVELY.
- 4. MANUFACTURER'S NAME, DATE CODE AND OPTIONAL P/N TO APPEAR ON THIS SURFACE. THE MARK CAN BE OMITTED IF THERE IS NOT ENOUGH SPACE ON THIS SURFACE.
- 5. PRODUCT SPECIFICATION GS-12-149.  
APPLICATION SPECIFICATION BUS-20-067.
- 6. PACKAGED IN TRAYS.

PCB NOTES:

- 7. ALL HOLE DIAMETERS ARE FINISHED HOLE SIZE.
- 8. MOUNTING HOLES, WHERE APPLICABLE, ARE UNPLATED.
- 9.  $\varnothing 1.151 \pm 0.025$  DRILLED HOLES PLATED WITH  
0.008 MIN SnPb OR Sn OVER 0.03  
TO 0.08 Cu PLATING TO ACHIEVE  
 $\varnothing 1.02 \pm 0.07$  HOLE.
- 10. CONNECTOR KEEP-OUT ZONE.



Copyright FCI.

dr	Ruan MT	2013/04/29	projection 	MM 	size	A4	scale	1:1	
eng	Ruan MT	2013/05/20			ecn no	-			
chr	-	-							
appr	Pei-Ming Zheng	2013/05/20	product family	PwrBlade	rel level	Released			
	title	3ACP + 4P + 24S RIGHT ANGLE SOLDER HEADER			dwg no	51939-766		rev	A
www.fci.com	cat. no.	-	Product - Customer Drw			sheet 4 of 4			