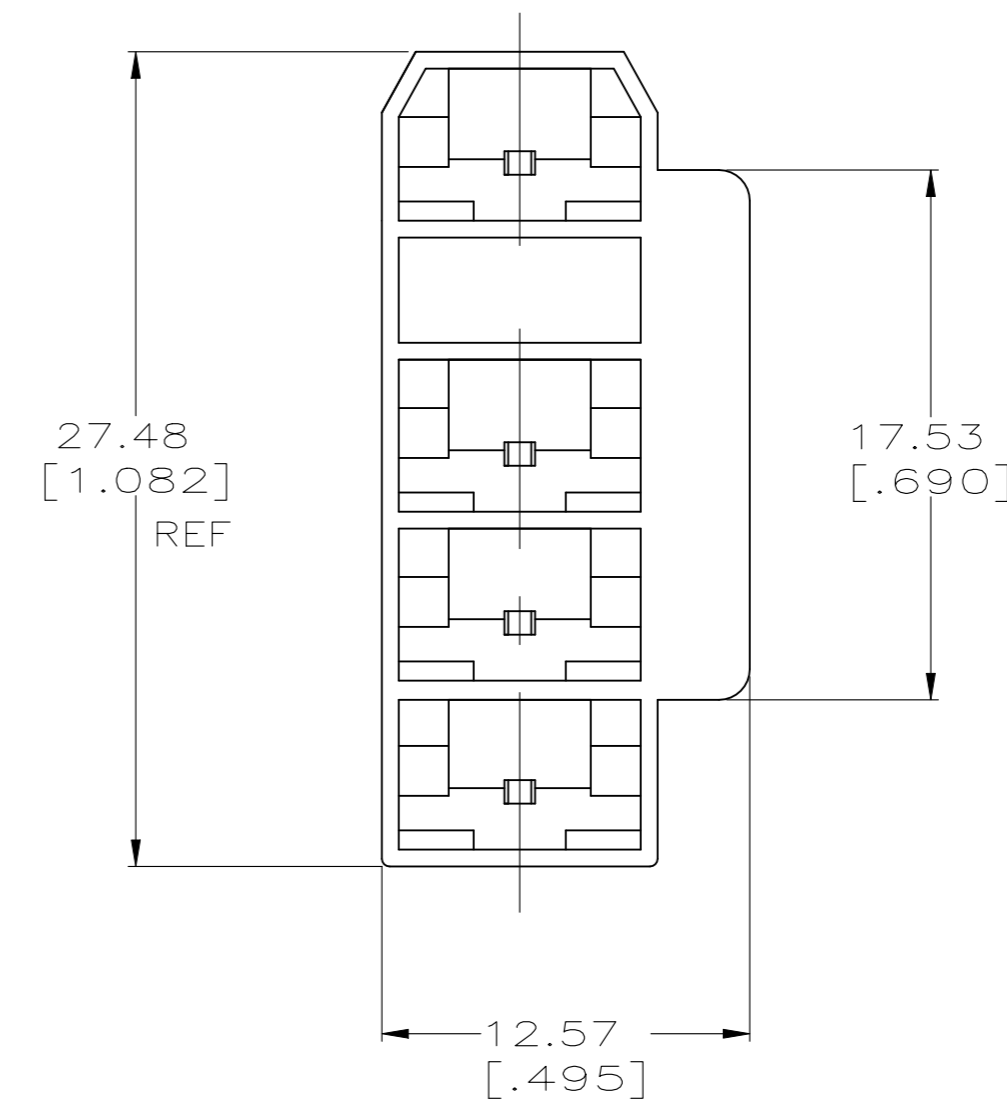
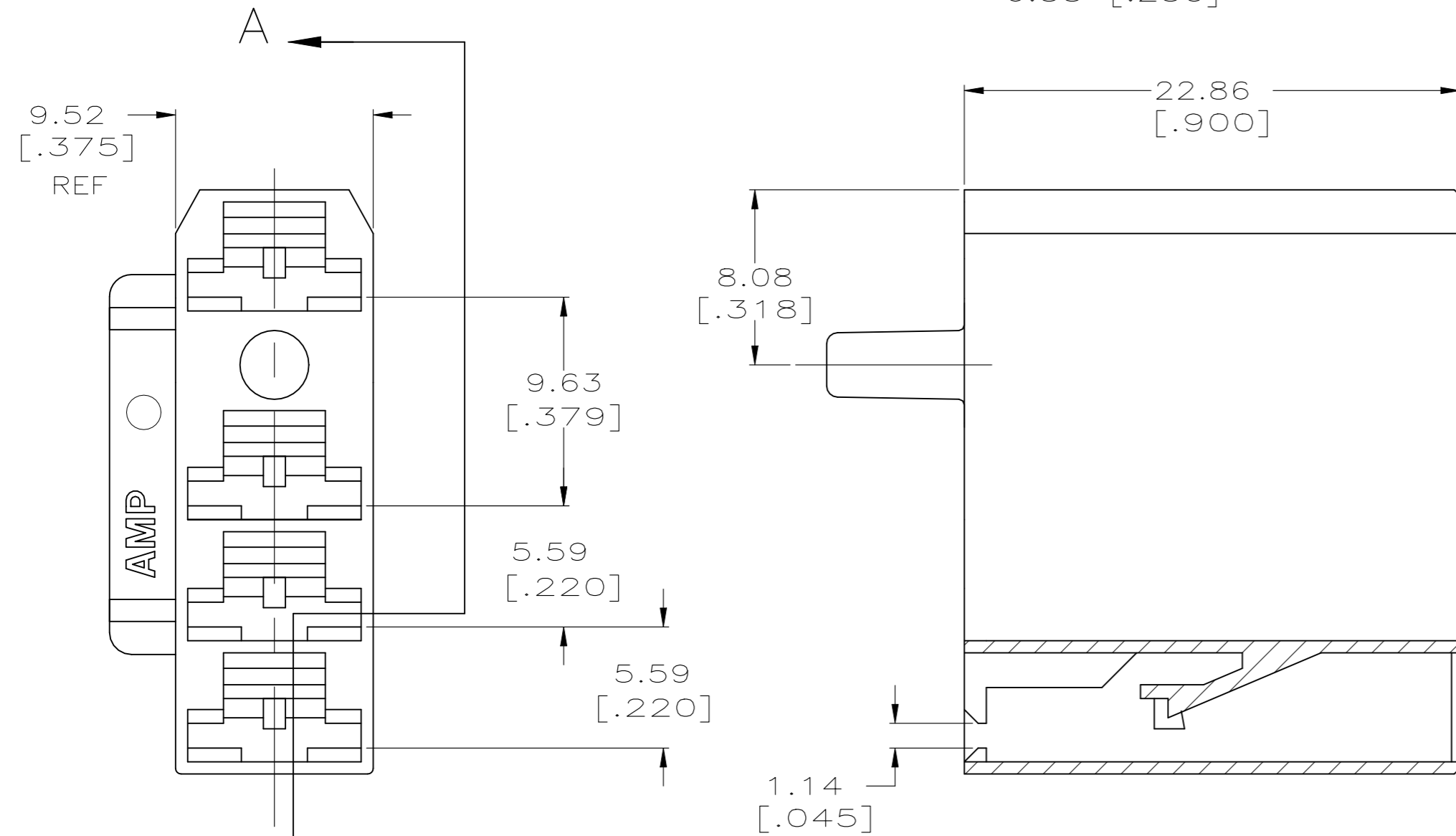
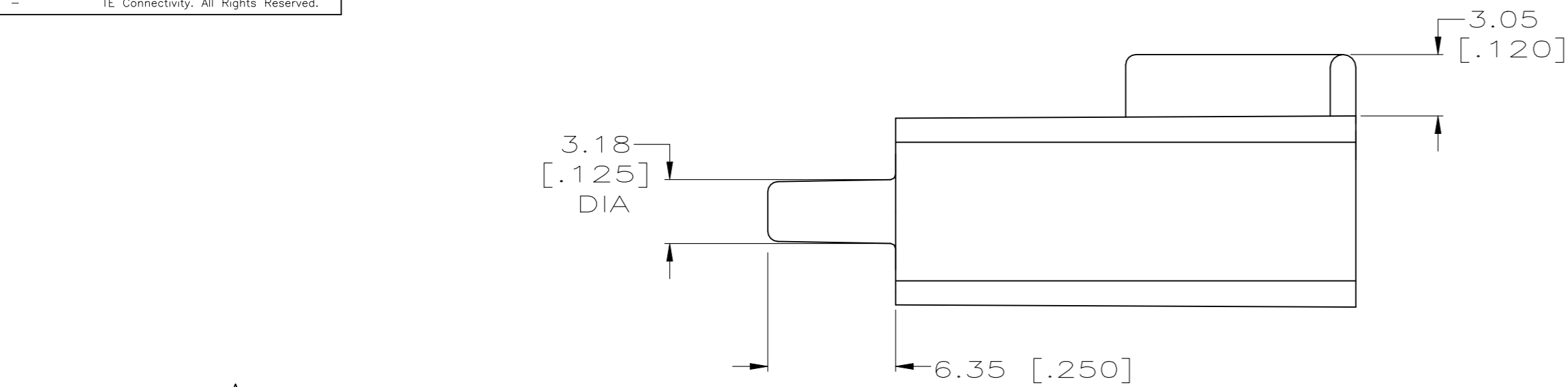
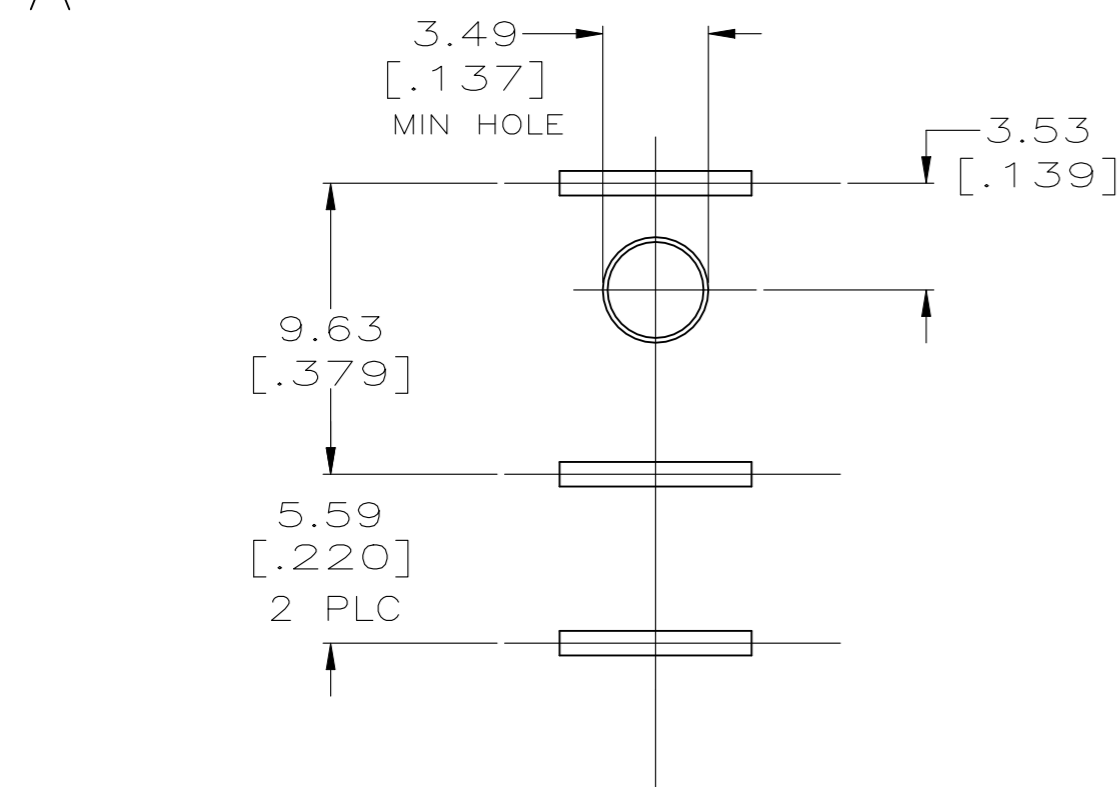


REVISIONS					
P	LTR	DESCRIPTION	DATE	DWN	APVD
B7		REVISED PER ECR-19-017980	09DEC2021	SS	EW

1 FOR USE WITH TYCO ELECTRONICS 250 SERIES LOW INSERTION RECEPTACLES.  
 2 PRELIMINARY - NOT FOR PRODUCTION



SECTION A-A



OBSOLETE	NATURAL	66/6 NYLON, V0	521066-3
	NATURAL	6/6 NYLON, V0	2 521066-2
	BLACK	6/6 NYLON	521066-1
	FINISH	MATERIAL	PART NO.

THIS DRAWING IS A CONTROLLED DOCUMENT.		DWN	JR RUTH	7/28/94	 TE Connectivity
DIMENSIONS: INCHES		CHK	MS FEHER	7/28/94	
TOLERANCES UNLESS OTHERWISE SPECIFIED:		APVD	R KUZO	7/28/94	
0 PLC ± - 1 PLC ± - 2 PLC ± - 3 PLC ± 0.25 [.010] 4 PLC ± - ANGLES ± -		NAME		HOUSING, RECEPTACLE, FASTON, 6.35 [.250] SERIES	
MATERIAL	SEE TABLE	FINISH	SEE TABLE	WEIGHT	0.000000
CUSTOMER DRAWING		SCALE	4:1	SHEET	1 OF 1
		REV	B7		