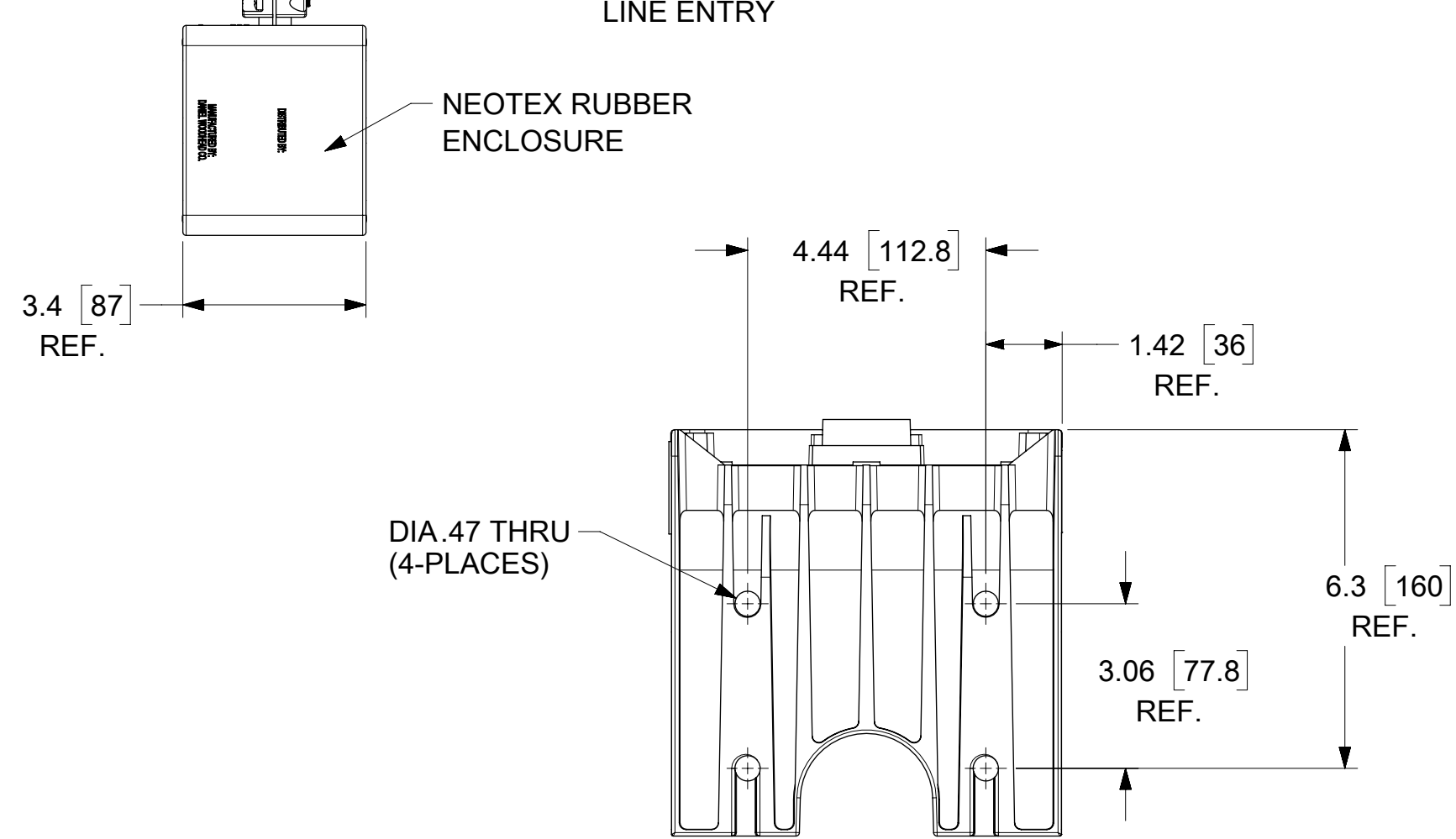
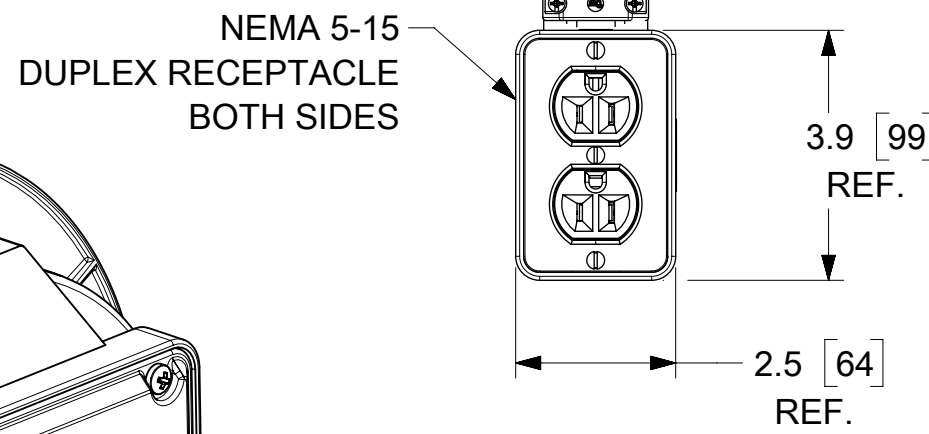
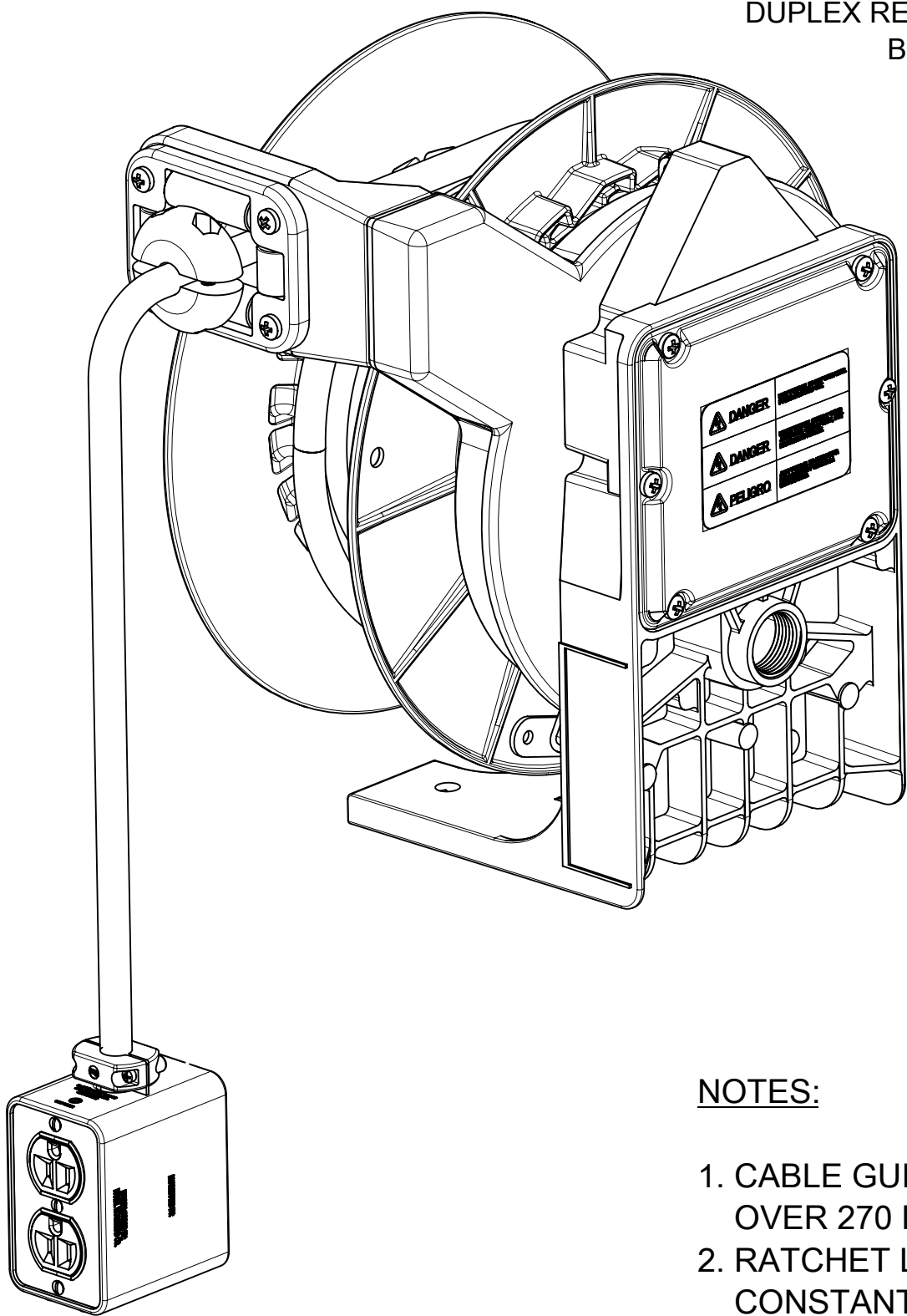
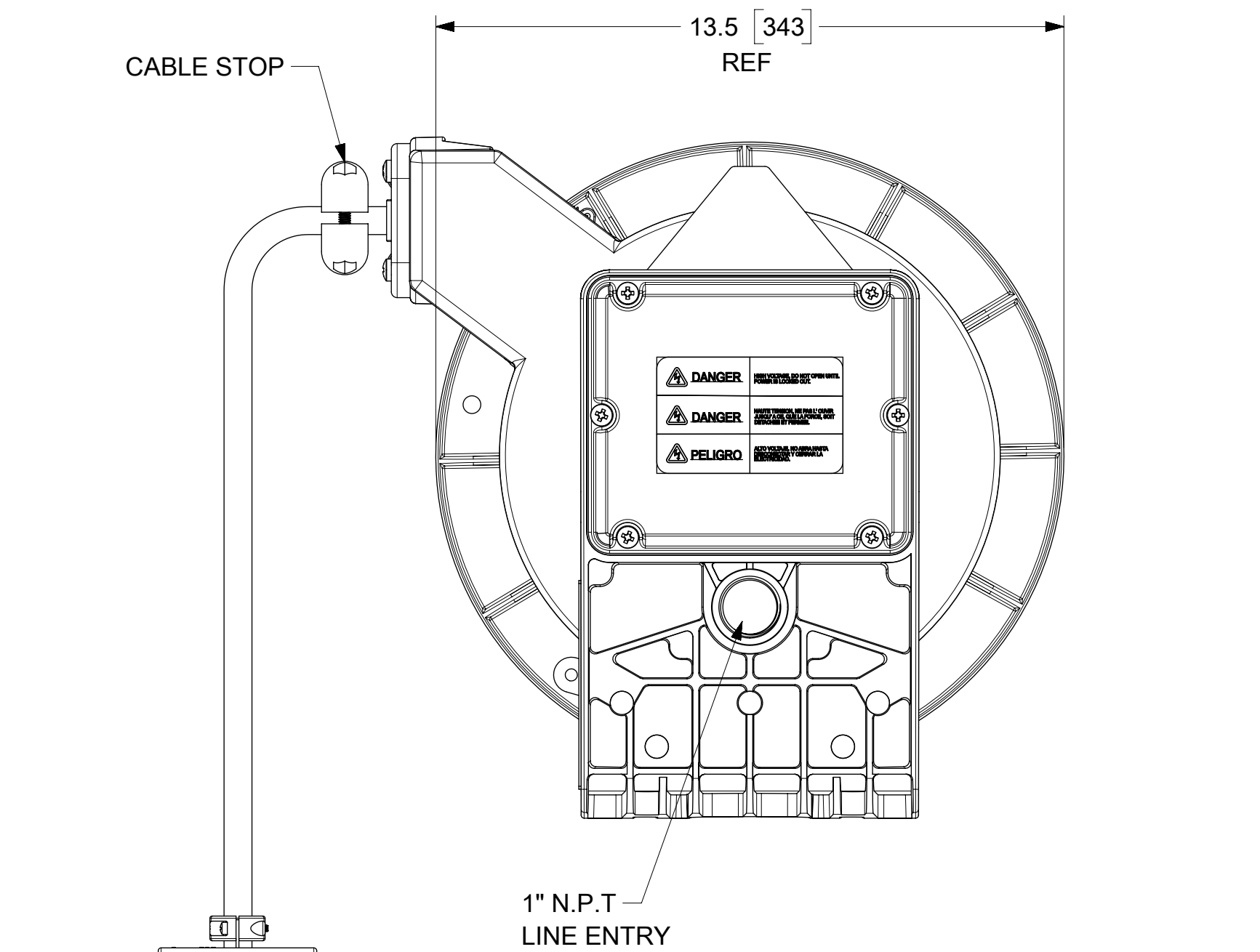
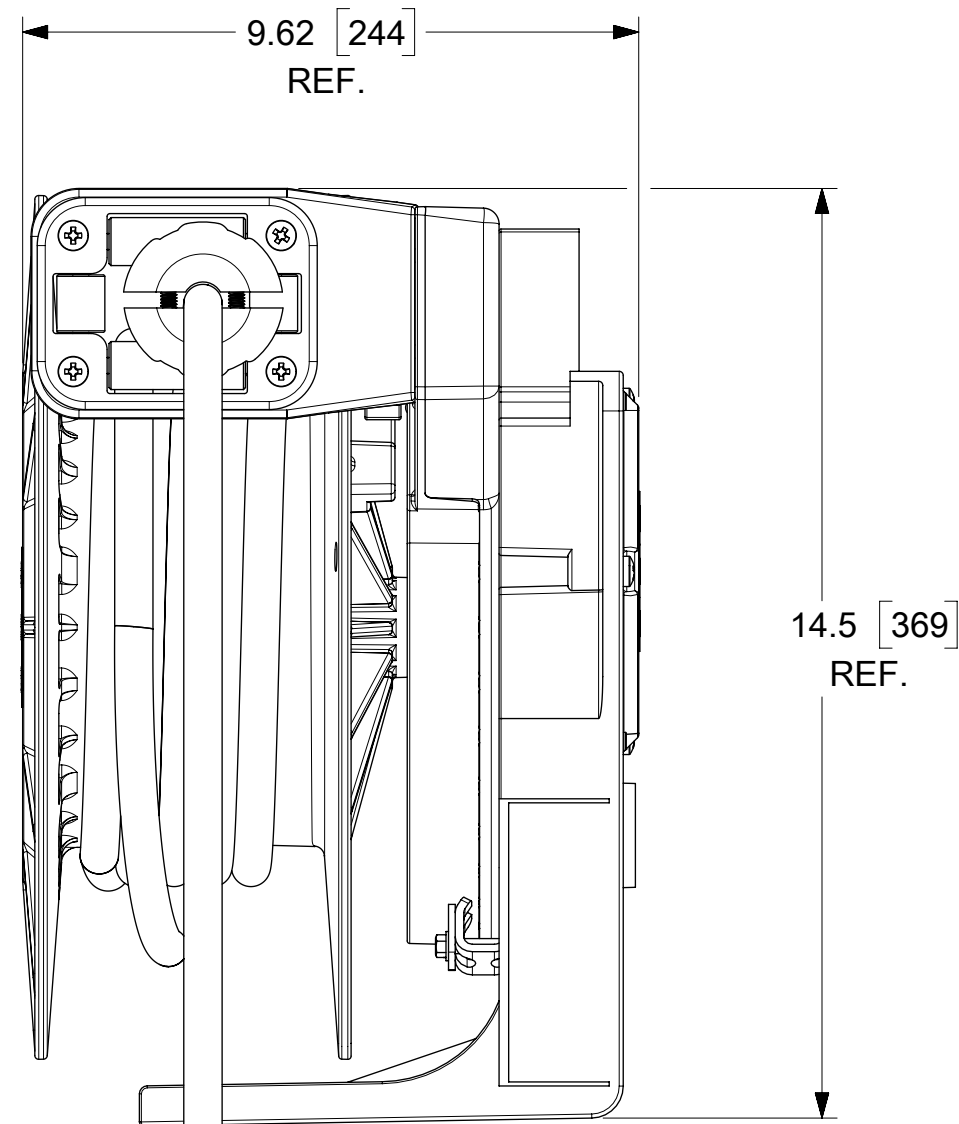


ORDER NO	130083-0269
WOODHEAD ENG. NO	9383-3000
WIRE GAUGE	12
CONDUCTORS	3
AMPERAGE	18A
WORKING CORD	25 FT. YELLOW
CORD TYPE	SOOW
CONSTRUCTION	HEAVY WALL CAST ALUMINUM
PAINT	YELLOW POWDER COAT
REEL ENCLOSURE RATING	NEMA 4 INDOOR / OUTDOOR
RETRACTION WEIGHT	4.0 LB [1.8 KG]



**BOTTOM VIEW**

**NOTES:**

1. CABLE GUIDE IS ADJUSTABLE EVERY 5 DEGREES OVER 270 DEGREE ARC.
2. RATCHET LOCK IS EASY TO DISENGAGE FOR CONSTANT TENSION.
3. REEL CANNOT BE "LOCKED OUT" AT FULL EXTENSION.
4. CABLE STOP IS INCLUDED.

FUNCTIONAL SYMBOLS	THIS DRAWING CONTAINS INFORMATION THAT IS PROPRIETARY TO MOLEX ELECTRONIC TECHNOLOGIES, LLC AND SHOULD NOT BE USED WITHOUT WRITTEN PERMISSION		CURRENT REV DESC: RELEASE CUSTOMER DRAWING		
	FA=0	INCH/MM	SCALE	NTS	
DIVISIONAL SYMBOLS	GENERAL TOLERANCES (UNLESS SPECIFIED)		EC NO: 674791		
	FC=0	MM	INCH	DRWN: DSOPPIN 2020/07/24	
DIVISIONAL SYMBOLS	FD=0	4 PLACES ±	±	CHK'D: DSOPPIN 2022/06/01	
		3 PLACES ±	± 0.005	APPR: HKNEELAND 2022/06/03	
		2 PLACES ±	± 0.13	± 0.01	
		1 PLACE ±	± 0.25	± 0.02	
	0 PLACES ±	±	±	INITIAL REVISION:	
	ANGULAR TOL	± 0.5°		DRWN: DSOPPIN 2020/07/24	
				APPR: HKNEELAND 2022/06/03	
	DRAFT WHERE APPLICABLE MUST REMAIN WITHIN DIMENSIONS			THIRD ANGLE PROJECTION	
				DRAWING C-SIZE	
				SERIES 130083	
DOCUMENT STATUS	P1	RELEASE DATE	2022/06/03 14:26:14	DOCUMENT NUMBER	1300830269
				DOC TYPE	PSD
				DOC PART	000
				REVISION	A
				MATERIAL NUMBER	SEE TABLE
				CUSTOMER	GENERAL MARKET
				SHEET NUMBER	1 OF 1