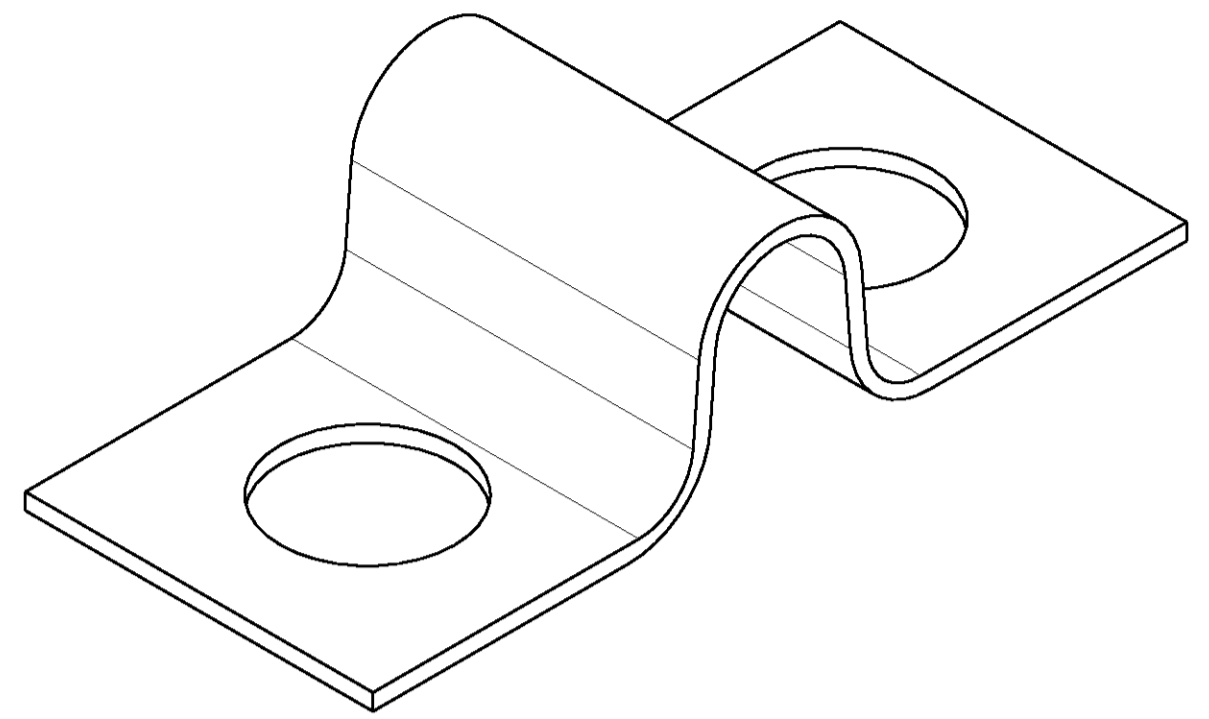
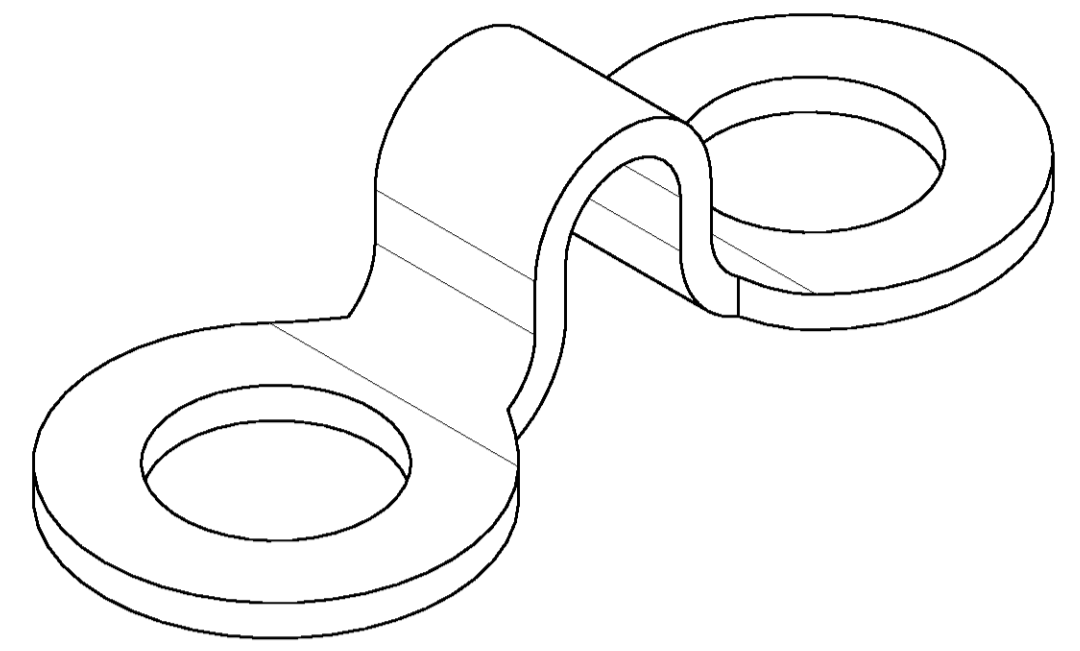
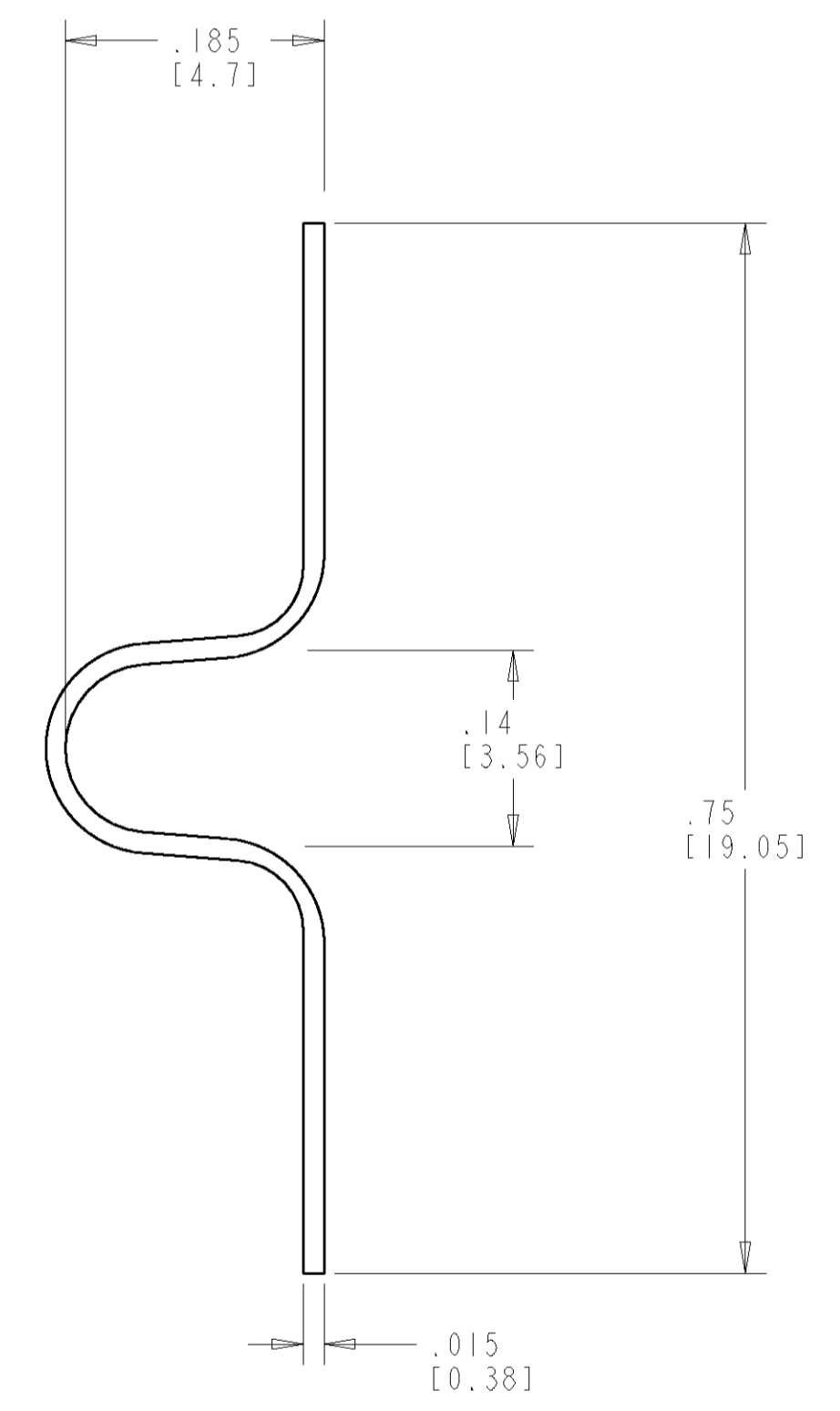
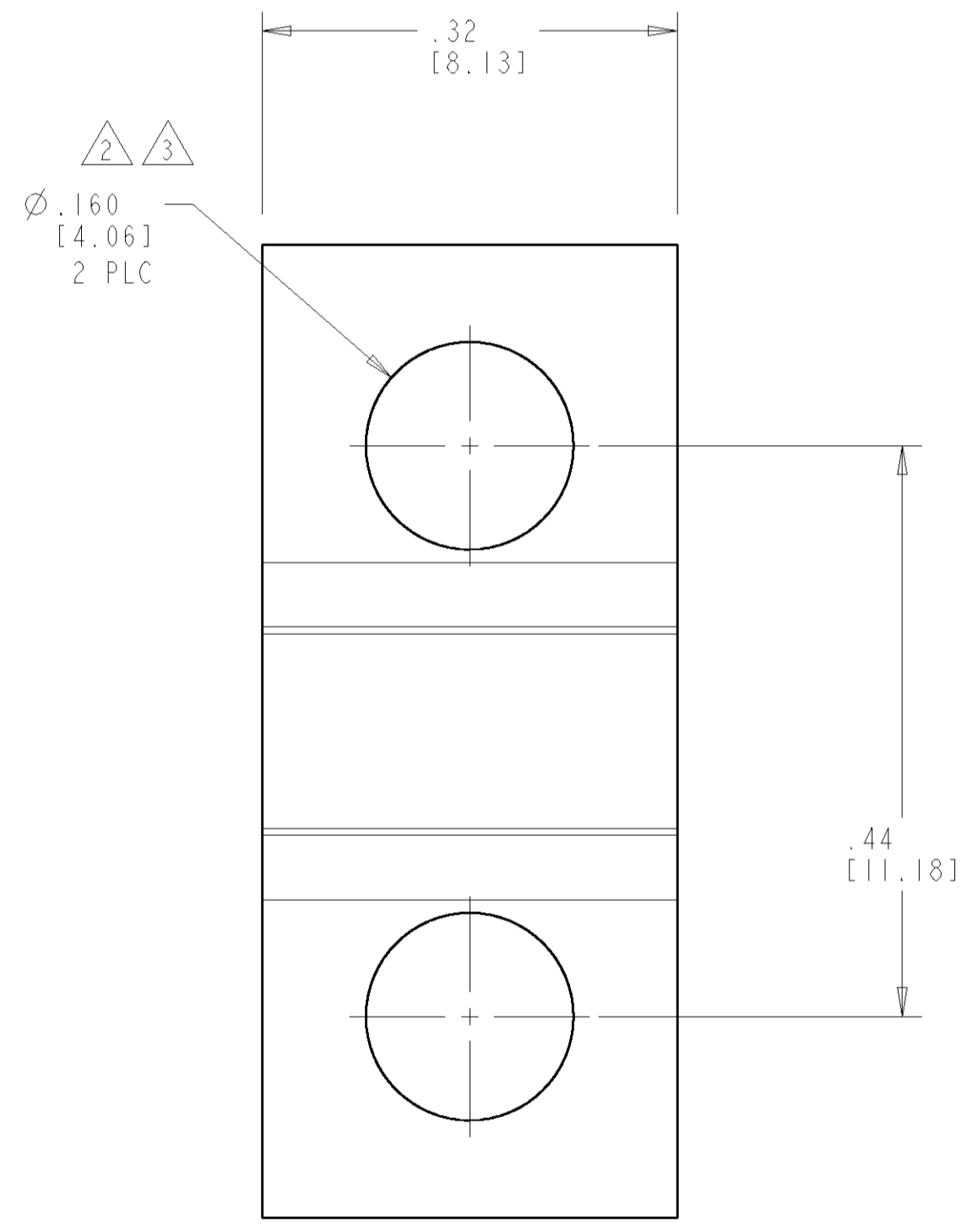
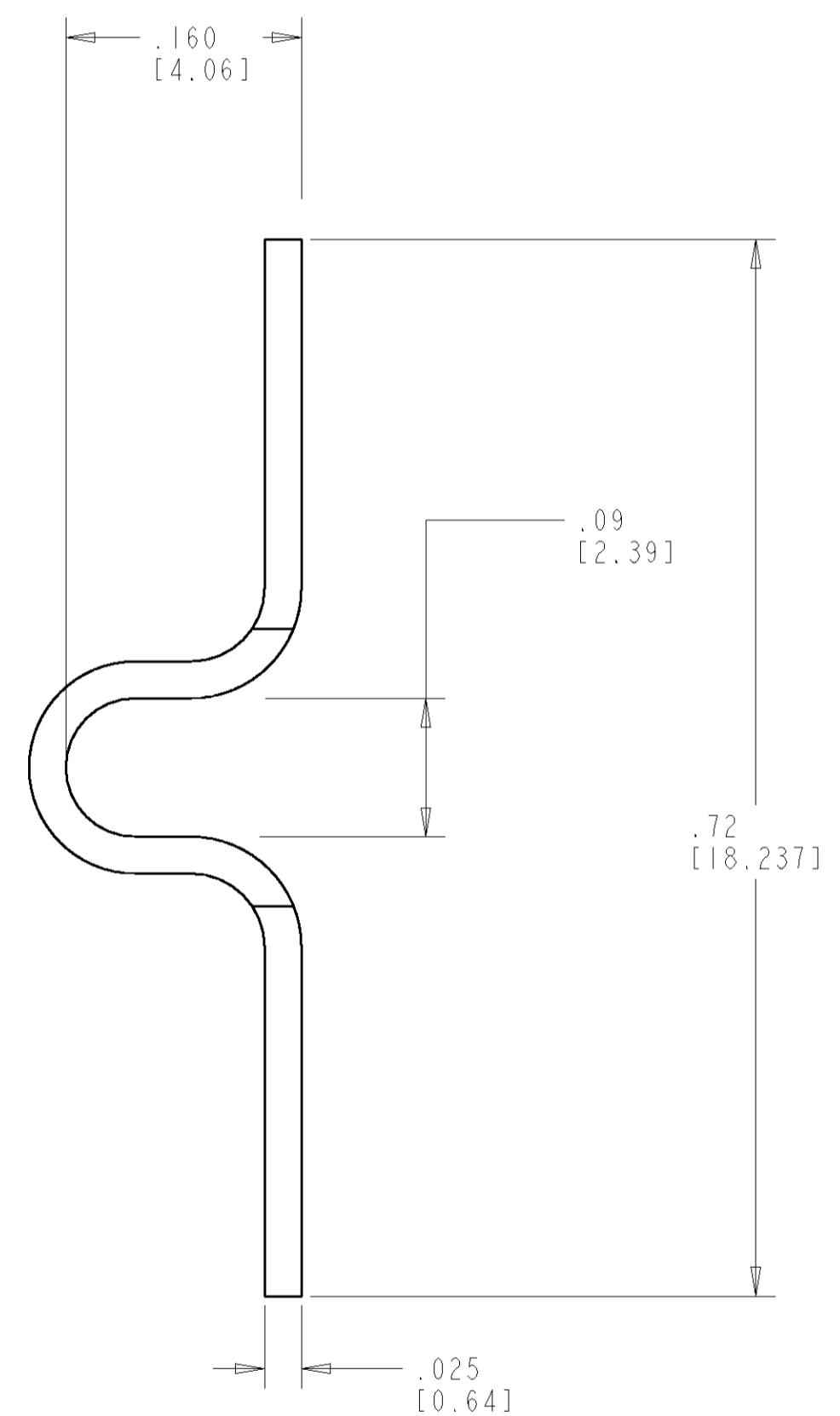
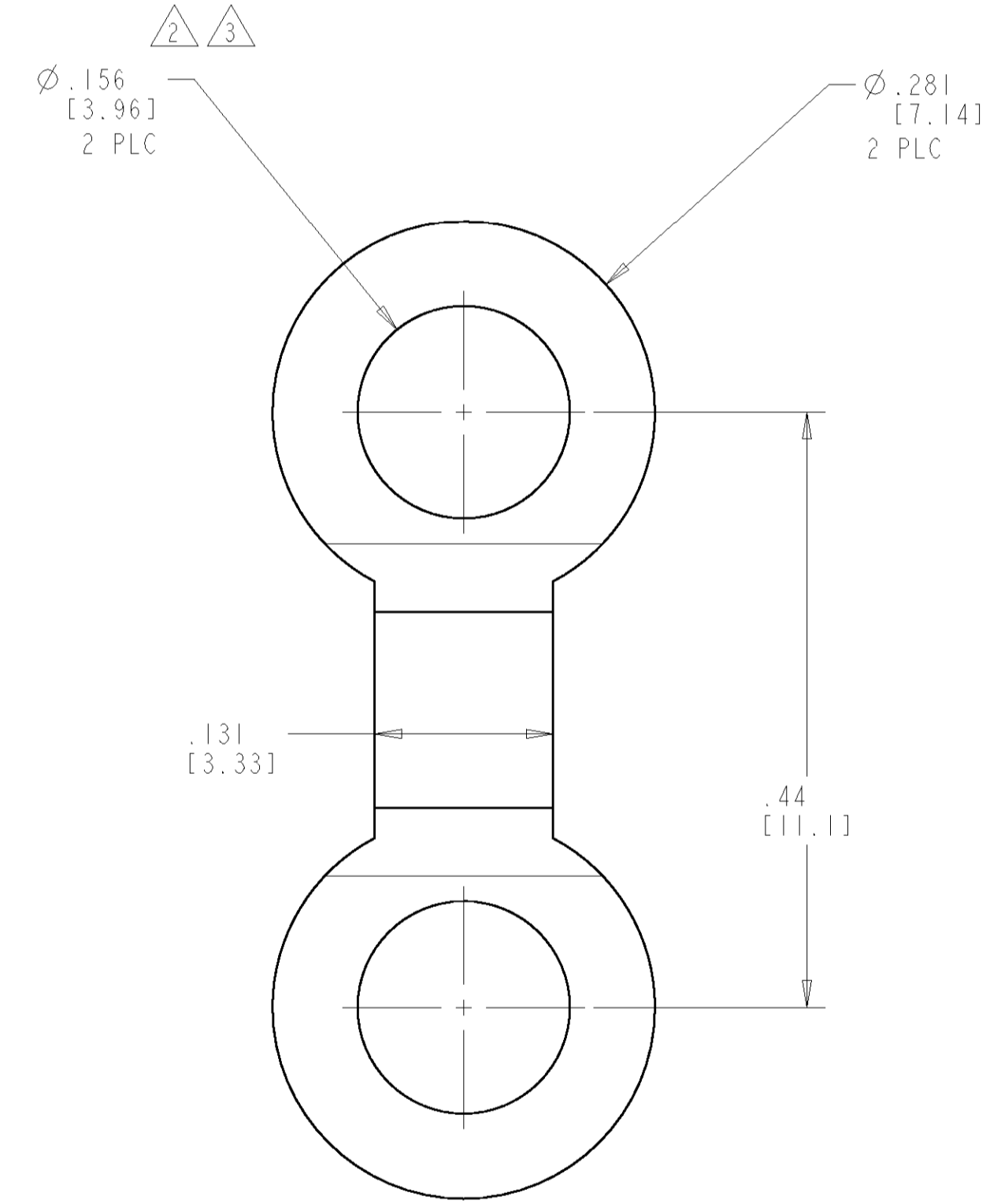


LOC		DIST		REVISIONS			
P	LTR	DESCRIPTION	DATE	DRN	APVD		
A1		REVISED PER ECO-11-005294	30APR11	RK	HMR		



- 1 MATERIAL: NICKEL OVER BRASS.
- 2 #6 STUD SIZE.
- 3 COMMONING TAB FOR 2 ADJACENT CIRCUIT POSITIONS.



ALTERNATE DESIGN

601985-2
PART NO.

DIMENSIONS: MM [INCHES]		TOLERANCES UNLESS OTHERWISE SPECIFIED:		DRN T. PITTS 22MAR02	TE Connectivity
		0 PLC ± 1 PLC ± 2 PLC ± 3 PLC ± 4 PLC ± ANGLES ±		CHK L. SMITH 22MAR02	
MATERIAL: - 1		FINISH: - 1		APVD M. DELPHIAS 22MAR02	NAME TAB, JUMPER, 6
CUSTOMER DRAWING		SCALE 8:1		SIZE CAGE CODE DRAWING NO A1 00779 C-601985	RESTRICTED TO
				WEIGHT -	SHEET 1 OF 1
				REV A1	