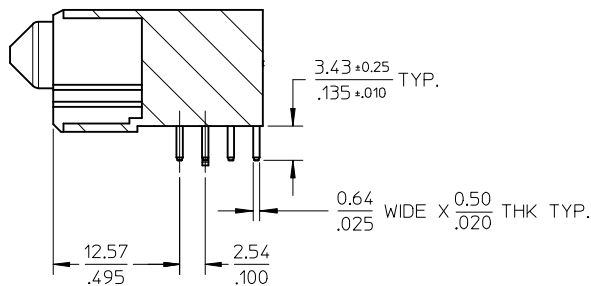


SECTION Y-Y



SECTION Z-Z

PDR#S-001245-00-00	2006/05/09
EC NO: S2006-1028	2006/05/09
DRW:KFLIM	2006/05/09
CHKD:MLONG	2006/05/10
APPR:PTLIM	2006/05/10
REV	DESCRIPTION
D1	

QUALITY SYMBOLS	$\nabla=0$
	$\nabla=0$

GENERAL TOLERANCES (UNLESS SPECIFIED)	mm	INCH	
	4 PLACES	± ---	± ---
	3 PLACES	± ---	± .010
	2 PLACES	± 0.25	± ---
	1 PLACE	± ---	± ---
ANGULAR ± 3 °			
DRAFT WHERE APPLICABLE MUST REMAIN WITHIN DIMENSIONS			

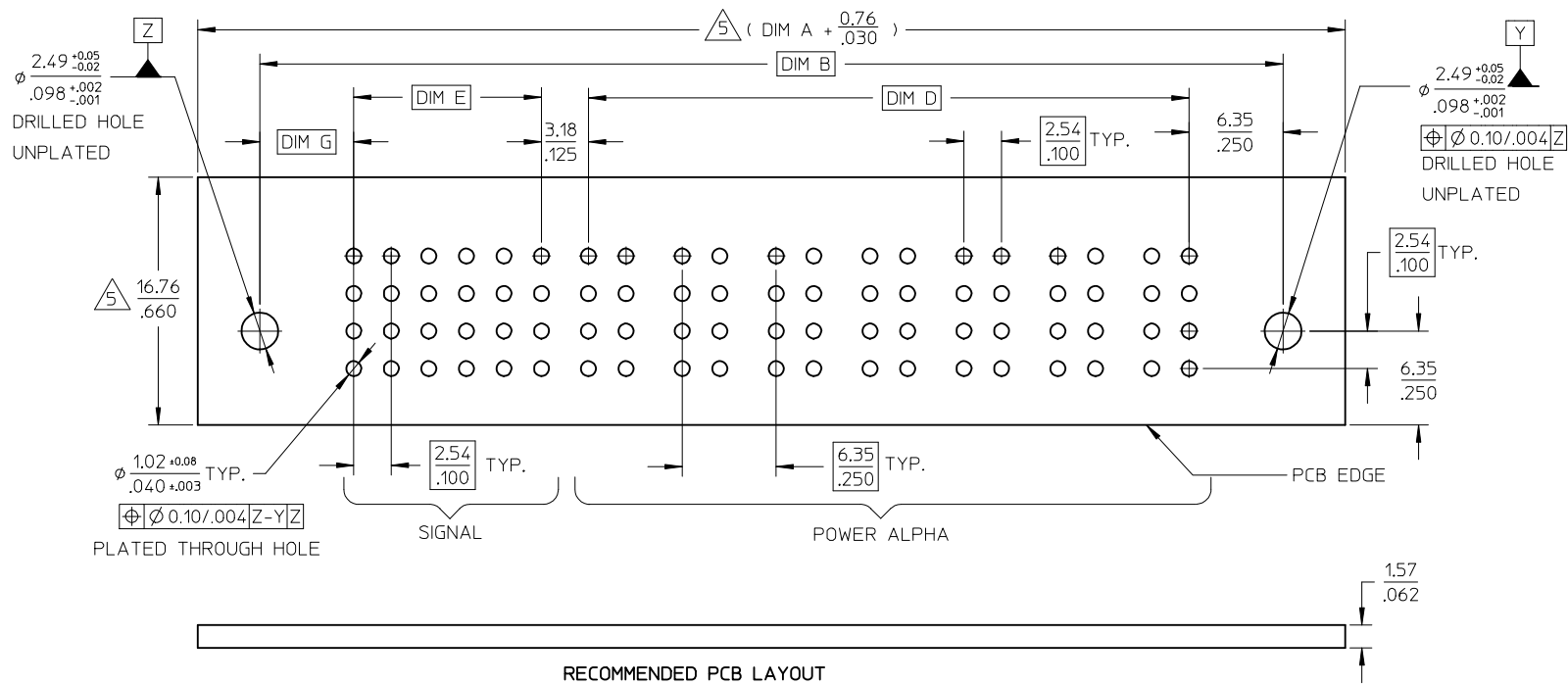
DIMENSION STYLE MM/IN	
DRAWN BY	DATE
CHECKED BY	DATE
APPROVED BY	DATE
MATERIAL NO.	

SCALE NTS	DESIGN UNITS METRIC	THIRD ANGLE PROJECTION
--------------	------------------------	------------------------

TITLE POWER CONNECTOR RECEPT. P(A)-S CONFIGURATION R/A, T/H, 6.35MM	
MOLEX INCORPORATED	

SEE TABLE	DOCUMENT NO. SD-87700-010	SHEET NO. 1 OF 3
THIS DRAWING CONTAINS INFORMATION THAT IS PROPRIETARY TO MOLEX INCORPORATED AND SHOULD NOT BE USED WITHOUT WRITTEN PERMISSION		

10 9 8 7 6 5 4 3 2 1



NOTES:

- 1 MATERIALS : HOUSING - LCP, GLASS FILLED.
UL 94V-0, COLOR: BLACK
POWER PINS - COPPER ALLOY
SIGNAL PINS - COPPER ALLOY
BOARD LOCK - COPPER ALLOY
- 2 FINISHES: POWER AD SIGNAL PINS
SELECTIVE GOLD IN THE CONTACT AREA
THICKNESS = 0.76 MICROMETER / 30 MICROINCH MINIMUM
SELECTIVE TIN IN THE PC TAIL AREA
THICKNESS = 2.54 MICROMETER / 100 MICROINCH MINIMUM
NICKEL OVERALL
- 3 PRODUCT SPECIFICATIONS : PS-87631-006
- 4 SEE SHEET 2 FOR RECOMMENDED PCB LAYOUT AND THICKNESS
- 5 COMPONENT STAY AWAY ZONE FROM CONNECTOR
- 6 REFER TO THE TABLE ON TOP OF PAGE 3/3 FOR RECESSED PINS LOCATION
- 7 POWER - 24 SIGNAL CONNECTOR IS SHOWN FOR ILLUSTRATION

PDR#S-001245-00-00 EC NO: S2006-1028 DRW:KFLIM 2006/05/09 CHKD:MLONG 2006/05/09 APPR:PTLIM 2006/05/10 REV D1	QUALITY SYMBOLS ▽=0 ◻=0	GENERAL TOLERANCES (UNLESS SPECIFIED)		DIMENSION STYLE		SCALE	DESIGN UNITS	THIRD ANGLE PROJECTION		
				MM/IN		NTS	METRIC			
				mm	INCH	DRAWN BY	DATE	TITLE		
						CHECKED BY	DATE	POWER CONNECTOR RECEPT. P(A)-S CONFIGURATION R/A, T/H, 6.35MM		
		4 PLACES	± ---	± ---	KMGOH	2002/08/20	MOLEX INCORPORATED			
		3 PLACES	± ---	± .010	PTLIM	2002/11/25				
		2 PLACES	± 0.25	± ---	APPROVED BY	DATE	MATERIAL NO. DOCUMENT NO. SHEET NO.			
		1 PLACE	± ---	± ---	SKTOH	2002/11/26				SD-87700-010 2 OF 3
		ANGULAR ± 3 °			SEE TABLE		THIS DRAWING CONTAINS INFORMATION THAT IS PROPRIETARY TO MOLEX INCORPORATED AND SHOULD NOT BE USED WITHOUT WRITTEN PERMISSION			
		DRAFT WHERE APPLICABLE MUST REMAIN WITHIN DIMENSIONS			SIZE A3					

9 8 7 6 5 4 3 2 1

PART NUMBER	P-S CONFIGURATION		DIM A	DIM B	DIM C	DIM D	DIM E	DIM F	DIM G	RECESS POWER PINS LOCATIONS	VOID PIN LOCATION	PACKAGING
	SIGNAL	POWER ALPHA										
87700-3002	24	7	76.83 3.025	69.22 2.725	67.94 2.675	40.64 1.600	12.70 .500	5.72 .225	6.35 .250	NIL	NIL	TRAY
87700-3003	16	4	52.70 2.075	45.09 1.775	43.81 1.725	21.59 .850	7.62 .300	5.72 .225	6.35 .250	NIL	NIL	TRAY
87700-3005	16	4	52.07 2.050	44.45 1.750	43.18 1.700	21.59 .850	7.62 .300	5.08 .200	5.72 .225	NIL	NIL	TRAY
87700-3006	20	4	54.61 2.150	46.99 1.850	45.72 1.800	21.59 .850	10.16 0.400	5.08 .200	5.72 .225	NIL	A2,B2,C2,D2	TRAY

PDR#S-001245-00-00 EC NO: S2006-1028 DRW:KFLIM 2006/05/09 CHKD:MLONG 2006/05/09 APPR:PTLIM 2006/05/10	DESCRIPTION REV	QUALITY SYMBOLS =0 =0	GENERAL TOLERANCES (UNLESS SPECIFIED) <table border="1"> <tr> <td></td> <td>mm</td> <td>INCH</td> </tr> <tr> <td>4 PLACES</td> <td>± ---</td> <td>± ---</td> </tr> <tr> <td>3 PLACES</td> <td>± ---</td> <td>± .010</td> </tr> <tr> <td>2 PLACES</td> <td>± 0.25</td> <td>± ---</td> </tr> <tr> <td>1 PLACE</td> <td>± ---</td> <td>± ---</td> </tr> </table>		mm	INCH	4 PLACES	± ---	± ---	3 PLACES	± ---	± .010	2 PLACES	± 0.25	± ---	1 PLACE	± ---	± ---	DIMENSION STYLE MM/IN	SCALE NTS	DESIGN UNITS METRIC	THIRD ANGLE PROJECTION
			mm	INCH																		
		4 PLACES	± ---	± ---																		
		3 PLACES	± ---	± .010																		
2 PLACES	± 0.25	± ---																				
1 PLACE	± ---	± ---																				
DRAWN BY: KMG0H DATE: 2002/08/20 CHECKED BY: PTLIM DATE: 2002/11/25 APPROVED BY: SKTOH DATE: 2002/11/26		TITLE POWER CONNECTOR RECEPT. P(A)-S CONFIGURATION R/A, T/H, 6.35MM																				
MATERIAL NO. SEE TABLE		DOCUMENT NO. SD-87700-010		SHEET NO. 3 OF 3																		
DRAFT WHERE APPLICABLE MUST REMAIN WITHIN DIMENSIONS		THIS DRAWING CONTAINS INFORMATION THAT IS PROPRIETARY TO MOLEX INCORPORATED AND SHOULD NOT BE USED WITHOUT WRITTEN PERMISSION																				