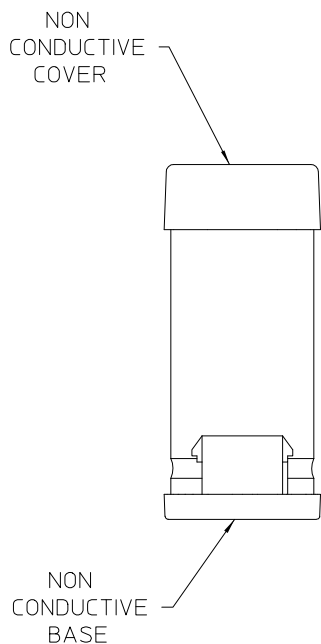
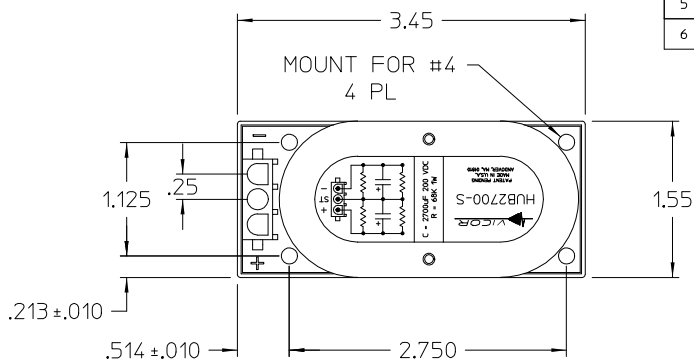


VICOR CONFIDENTIAL

THIS DOCUMENT AND THE DATA DISCLOSED HEREIN OR HEREWITH IS NOT TO BE REPRODUCED, USED, OR DISCLOSED IN WHOLE OR IN PART TO ANYONE WITHOUT PERMISSION OF VICOR CORP.

REV.	DESCRIPTION	DATE	APPROVED
01	RELEASED PER E980365	DPK	9/14/98
02	REVSD- E980451	RCM	12/2/98
03	REVSD PER E990386	AK	9/14/99
04	REVSD PER E990450	RCM	3/6/00
5	REVISED PER E0430458	PEI	09/30/04
6	REVISED PER ECO Request E064403	REJH	08/04/06

VICOR HUB PART NO.	MATING CONNECTOR		
	ORDER FROM: AMP		ORDER FROM: VICOR
	HOUSING (QTY 1)	SOCKETS (QTY 3)	HOUSING/SKT KIT (QTY 1)
HUB2700-S	770018-1	193842-1	21394
HUB3300-S	770018-1	193842-1	21394



AMP CONNECTOR 194017-1

3.519 ± .060

AT +105°C, 120HZ UNLESS OTHERWISE NOTED					
ITEM	CHARACTERISTICS				
OPERATING TEMPERATURE	-40 to +105°C				
CAPACITANCE TOLERANCE @ +20°C	±20%				
RIPPLE CURRENT MULTIPLIER	AMBIENT TEMPERATURE (°C)				
	+45	+60	+70	+85	+105
DISSIPATION FACTOR @ +20°C	0.1				
RATED VOLTAGE (WVDC)	200				
CAPACITANCE VALUE (C1, C2 EA. µF)	HUB2700-S=2700/HUB3300-S=3300				
MAXIMUM ESR (OHMS) @ +20°C	HUB2700-S=0.050/HUB3300-S=.075				
MAXIMUM RIPPLE CURRENT (A rms)	HUB2700-S=4.80/HUB3300-S=4.74				

Note: RoHS compliant, lead free per CST-0001 latest revision.

DRAWN BY <i>D. CVINAR</i>	DATE 4/2/98				
<small>UNLESS OTHERWISE SPECIFIED DIMENSIONS ARE IN INCHES- TOLERANCES ARE:</small> <small>FRACTIONS DECIMALS ANGLES</small> <small>+1/64 .XX+ .01 +1°</small> <small>.XXX-.005</small>					
THIRD ANGLE PROJECTION		SIZE C	FSCM NO. 67131	DWG NO. 18696	REV 6
DO NOT SCALE DRAWING		SCALE FULL	SHEET 1 OF 1		