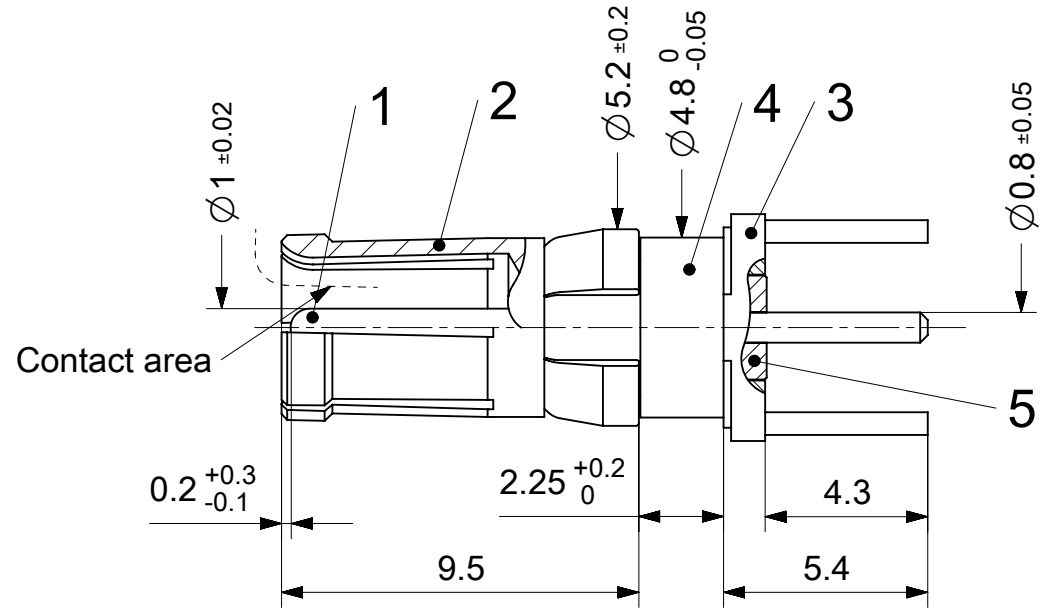
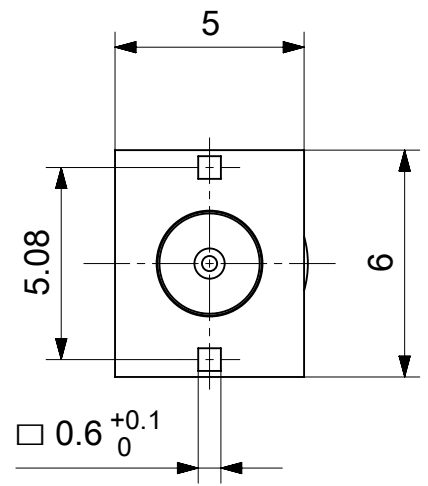
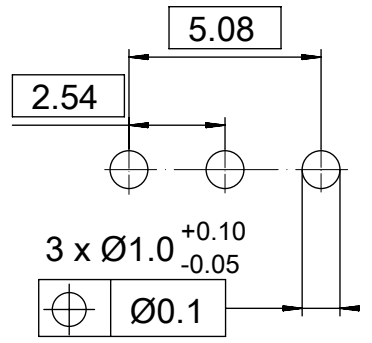


2:1



RoHS compliant
by exemption

PCB-Layout



1731120829	FME010S101	101
1731120049	FME010S102	102
1731121069	FME010S202	202
Material Number	FCT Part Number	Material + Finish See extra sheet

UNLESS OTHERWISE SPECIFIED DIMENSIONS FOR REFERENCE ONLY				REPLACEMENT FOR DOCUMENT NUMBER: FME010S			
THIS DRAWING CONTAINS INFORMATION THAT IS PROPRIETARY TO MOLEX ELECTRONIC TECHNOLOGIES, LLC AND SHOULD NOT BE USED WITHOUT WRITTEN PERMISSION							
FUNCTIONAL SYMBOLS	DIMENSION UNITS	SCALE	CURRENT REV DESC: A11393				
$\frac{F}{A} = 0$	mm	5:1	EC NO: 750967 DRWN: MTEUBEL 2023/05/25 CHK'D: FVETTER 2023/05/26 APPR: FVETTER 2023/05/26 INITIAL REVISION: DRWN: VLOKESHA 2021/04/16 APPR: FVETTER 2022/06/13				
$\frac{F}{E} = 0$	GENERAL TOLERANCES (UNLESS SPECIFIED)						
$\frac{F}{P} = 0$	ANGULAR TOL ± °						
DIVISIONAL SYMBOLS	4 PLACES	±					
	3 PLACES	±					
	2 PLACES	±	DOCUMENT NUMBER: 1731120829 DOC TYPE: PSD DOC PART: 000 REVISION: B				
	1 PLACE	±					
	0 PLACES	±					
DRAFT WHERE APPLICABLE MUST REMAIN WITHIN DIMENSIONS		FIRST ANGLE PROJECTION	DRAWING	SERIES	MATERIAL NUMBER	CUSTOMER	SHEET NUMBER
			A4-SIZE	173112	SEE TABLE	GENERAL MARKET	1 OF 1

DOCUMENT STATUS	P1	RELEASE DATE	2023/05/26	08:58:47
-----------------	----	--------------	------------	----------