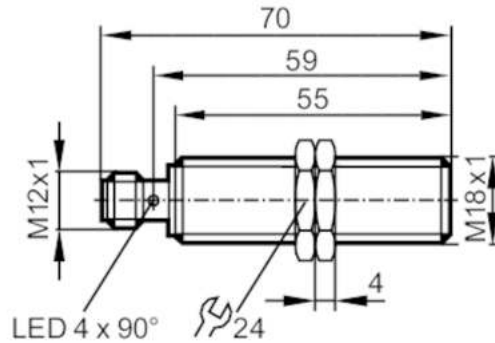




Inductive sensor

IGK3008BBPKG/US-104



Product characteristics

| | | |
|-------------------|------|------------------|
| Electrical design | | PNP |
| Output function | | normally open |
| Sensing range | [mm] | 8 |
| Housing | | threaded type |
| Dimensions | [mm] | M18 x 1 / L = 70 |

Application

| | | |
|-----------------|--|---|
| Special feature | | Gold-plated contacts; Increased sensing range |
| Application | | Industrial applications / factory automation |

Electrical data

| | | |
|-----------------------------|------|------------|
| Operating voltage | [V] | 10...30 DC |
| Current consumption | [mA] | < 10 |
| Protection class | | II |
| Reverse polarity protection | | yes |

Outputs

| | | |
|---|------|---------------|
| Electrical design | | PNP |
| Output function | | normally open |
| Max. voltage drop switching output DC | [V] | 2.5 |
| Permanent current rating of switching output DC | [mA] | 100 |
| Switching frequency DC | [Hz] | 400 |
| Short-circuit protection | | yes |
| Overload protection | | yes |

Detection zone

| | | |
|-------------------------|------|----------|
| Sensing range | [mm] | 8 |
| Operating distance | [mm] | 0...6.48 |
| Increased sensing range | | yes |

Accuracy / deviations


| | | |
|--------------------|-----------|---|
| Correction factor | | steel: 1 / stainless steel: 0.7 / brass: 0.5 / aluminium: 0.4 / copper: 0.3 |
| Hysteresis | [% of Sr] | 3...15 |
| Switch point drift | [mm] | -10...10 |

IGS212



Inductive sensor

IGK3008BBPKG/US-104

| Operating conditions | | |
|---|---------------------------|---|
| Ambient temperature | [°C] | -25...70 |
| Protection | | IP 67 |
| Tests / approvals | | |
| EMC | EN 61000-4-2 ESD | 4 kV CD / 8 kV AD |
| | EN 61000-4-3 HF radiated | 10 V/m |
| | EN 61000-4-4 Burst | 2 kV |
| | EN 61000-4-5 Surge | 0,5 kV |
| | EN 61000-4-6 HF conducted | 10 V |
| | EN 55011 | class B |
| MTTF | [years] | 1689 |
| Embedded software included | | yes |
| UL approval | Ta | 0...40 °C |
| | Enclosure type | Type 1 |
| | power supply | Hazardous voltage |
| | UL Approval no. | A003 |
| | File number UL | E174191 |
| Mechanical data | | |
| Weight | [g] | 51.7 |
| Housing | | threaded type |
| Mounting | | flush mountable |
| Dimensions | [mm] | M18 x 1 / L = 70 |
| Thread designation | | M18 x 1 |
| Materials | | housing: brass white bronze coated; sensing face: PBT orange; LED window: PEI; lock nuts: white bronze coated |
| Displays / operating elements | | |
| Display | switching status | 4 x 90° LED, yellow |
| Accessories | | |
| Items supplied | | lock nuts: 2 |
| Remarks | | |
| Pack quantity | | 1 pcs. |
| Electrical connection - plug | | |
| Connector: 1 x M12; coding: A; Contacts: gold-plated | | |
|  | | |

IGS212

Inductive sensor

IGK3008BBPKG/US-104



Connection

