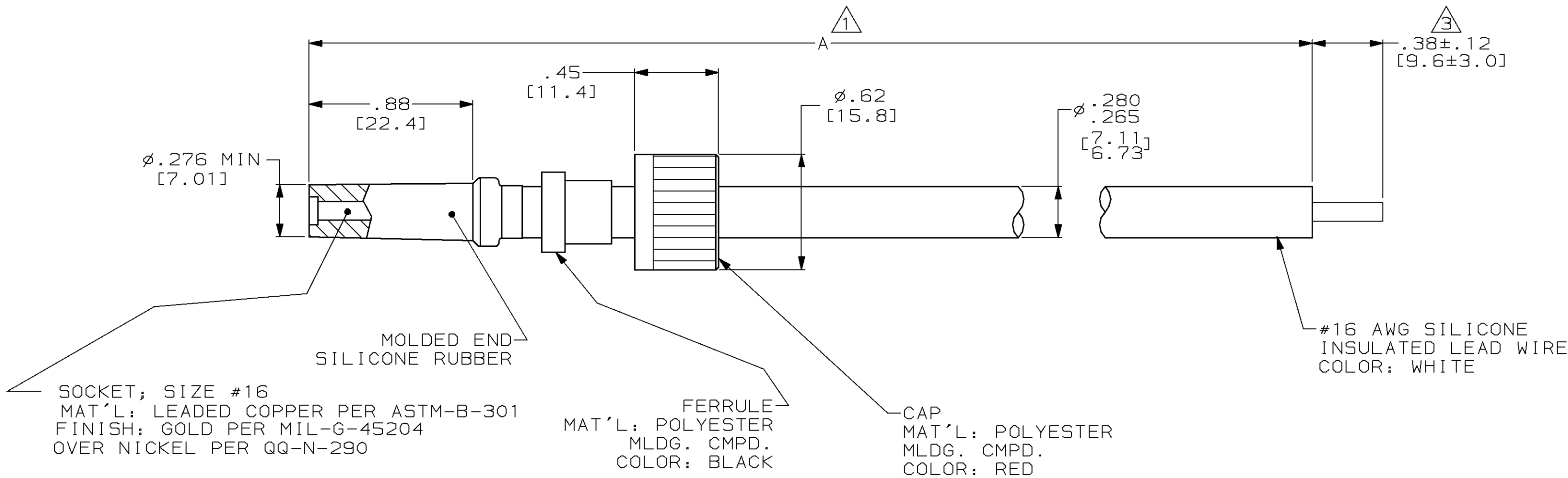


THIS DRAWING IS UNPUBLISHED. RELEASED FOR PUBLICATION
 © COPYRIGHT 19 BY AMP INCORPORATED. ALL INTERNATIONAL RIGHTS RESERVED.

PROD 4086 CODE	LOC DF	DIST SO	P	F	REVISIONS				
					ZONE	LTR	DESCRIPTION	DATE	APPD
					E		REV & REDRAWN PER DF-5817 CT	1-92	SG
					F		REV PER 0600-935-93 CT	10-93	CS
					G		REV PER 0600-5719-96 CT	9-96	SG

PART NO.	A	REMARKS
863703-1	6.00 [152.4]	△6
863703-2	8.00 [203.2]	△6
863703-3	10.00 [254.0]	△6
863703-4	12.00 [304.8]	△6
863703-5	15.00 [381.0]	△6
863703-6	18.00 [457.2]	△6
863703-7	21.00 [533.4]	△6 OBSOLETE
863703-8	24.00 [609.6]	△6
863703-9	36.00 [914.4]	△6
1-863703-0	40.00 [1016.0]	△6 OBSOLETE
1-863703-1	60.00 [1524.0]	△6
1-863703-2	9.50 [241.3]	
1-863703-3	7.00 [177.8]	△6
1-863703-4	30.00 [762.0]	△6
1-863703-5	72.00 [1828.8]	
1-863703-6	12.62 [320.5]	△6 OBSOLETE
1-863703-7	25.00 [635.0]	△6 OBSOLETE
1-863703-8	33.00 [838.2]	△6 OBSOLETE
1-863703-9	26.00 [660.4]	△6 OBSOLETE
2-863703-0	20.00 [508.0]	△6 OBSOLETE
2-863703-1	108.00 [2743.2]	△6 OBSOLETE
2-863703-2	120.00 [3048.0]	



- △1 TOLERANCE OF LEAD LENGTH:
 UP TO 24 INCHES [609.6] = ±.12 [±3.1]
 24 INCHES [609.6] & UP = ±1%
- 2. MARKED PER MIL-STD-130.
- △3 PIGTAIL IS SOLDER DIPPED.
- 4. TO MATE WITH AMP LGH-1
 RECEPTACLE WITH .88 [22.4] BARREL DEPTH.
- 5. OPERATING VOLTAGE: 20 KVDC AT 0 TO 70,000
 FEET; -55°C TO 125°C.
- △6 THESE PART NO'S HAVE THE MARKING IN THE CENTER OF THE LEAD.

DO NOT SCALE PRINT. UNLESS SPECIFIED DIMENSIONS IN INCHES [mm] TOLERANCES ON: 2 PLC DEC ± .02 [0.5] 3 PLC DEC ± - ANGLES ± -	DR 1-27-92 C.C. THOMAS	AMP Incorporated Harrisburg, PA 17105-3608
	CHK 1-29-92 S. GLATFELTER	
MATERIAL SEE CALLOUTS	APPD 1-29-92 S. GLATFELTER	NAME
	APPD 1-29-92 C. THOMAS	LEAD ASS'Y, SGL. END, POS. STOP, LGH-1
FINISH SEE CALLOUTS	PRODUCT SPEC -	SIZE
	APPLICATION SPEC -	CAGE CODE 00779
WEIGHT -	SCALE 2:1	DRAWING NO 863703
		SHEET 1 OF 1