

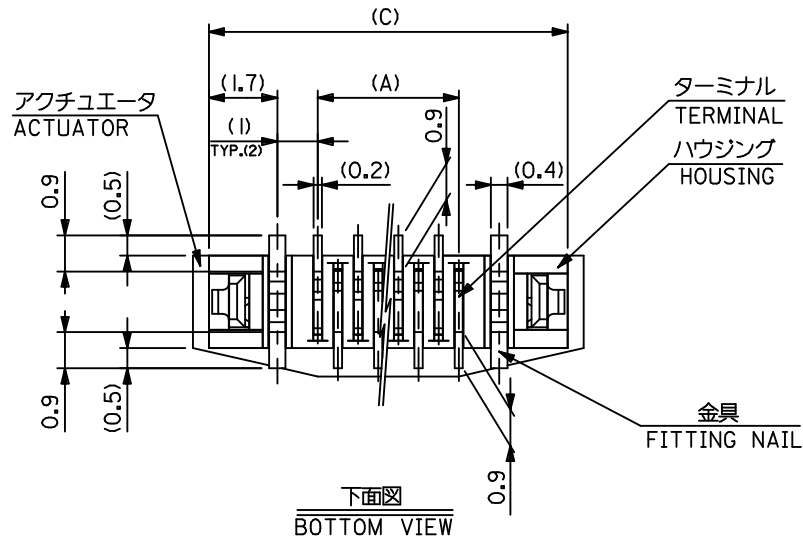
注記 NOTES

- 使用材料 : MATERIAL
 ハウジング HOUSING :46NYLON UL94V-0
 アクチュエータ ACTUATOR :PPS UL94V-0
 ターミナル TERMINAL :リン青銅、銅下地半田メッキ (t=0.2) PHOS-BRO.TIN-LEAD(9:1) 3~5 MICRON METER OVER COPPER 1~2.5 MICRON METER PLATED
 金具 FITTING NAIL :リン青銅、銅下地半田メッキ (t=0.4) PHOS-BRO.TIN-LEAD(9:1) 3~5 MICRON METER OVER COPPER 1~2.5 MICRON METER PLATED
- エンボステープ梱包時は、アクチュエータがロックした状態とする。
 IN THE PACKAGE,ACTUATOR OF PART NO.52559-**17 SHOULD BE LOCKED.
 △ソルダーテール半田付け面のズレ量、及び金具半田付け面のズレ量は、基準面 G に対し上方向 0.05 MAX. , 下方向 0.15 MAX. とする。
 MISALIGNMENT OF SOLDER TAILS AND FITTING NAILS FROM G UPPER DIRECTION: 0.05 MAX. , LOWER DIRECTION: 0.15 MAX.
 △偶数極に適用。
 APPLY FOR EVEN CIRCUIT.
 △パターンはくり止め用金具。
 FITTING NAIL FOR PREVENTION OF PEELING OF P.C.B. PATTERN.
 △R0.3は、FPCの導体部にかからないこと。
 R0.3 MUST NOT BE OVERLAPPED TO PATTERN OF FPC.

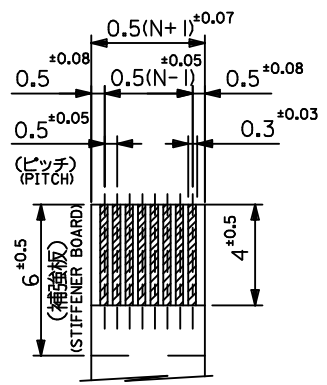
20.7	19.9	15.65	14.5	52559-3092	—	30
16.7	15.9	11.65	10.5	—	52559-2290	22
8.7	7.9	3.65	2.5	52559-0692	—	6

52559-**17				D	C	B	(A)	EMBSSED PACKAGE	極数
CONNECTER SERIES NO.				オーダー番号 ORDER NO.				CKT.	

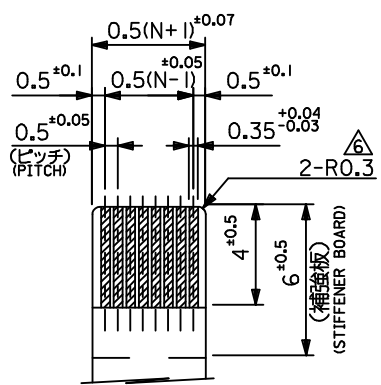
REVISED EC NO: J2016-0380 DRWN:NASANUMA 2015/10/16 CHKD:KAKAHASHI 2015/10/16 APPR:YNOGAWA 2015/11/09	GENERAL TOLERANCES (UNLESS SPECIFIED)			DIMENSION STYLE MM ONLY		SCALE ---	DESIGN UNITS METRIC		THIRD ANGLE PROJECTION
	0.25 UNDER	UNDER	±0.03	DRAWN BY KTOJO	DATE 2003/04/17	TITLE 0.5 FPC CONN ZIF FOR SMT			
	0.25 OVER	0.5 UNDER	±0.05	CHECKED BY MSASAO	DATE 2003/04/17	S/T SHEET 1 OF 2			
	0.5 OVER	1.0 UNDER	±0.1	APPROVED BY	DATE				
	1.0 OVER	10 UNDER	±0.2	MATERIAL NO. SEE CHART					
30 OVER		±0.25	SIZE A3		THIS DRAWING CONTAINS INFORMATION THAT IS PROPRIETARY TO MOLEX INCORPORATED AND SHOULD NOT BE USED WITHOUT WRITTEN PERMISSION				
	ANGULAR	±3 °	DRAFT WHERE APPLICABLE MUST REMAIN WITHIN DIMENSIONS						



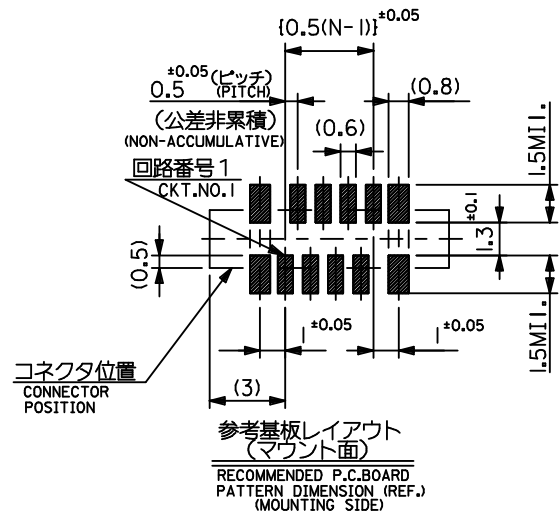
下面図
BOTTOM VIEW



適合FFC推奨寸法
APPLICABLE FFC
RECOMMENDED DIMENSION.
(仕上がり厚さ: 0.3±0.05)
(THICKNESS: 0.3±0.05)



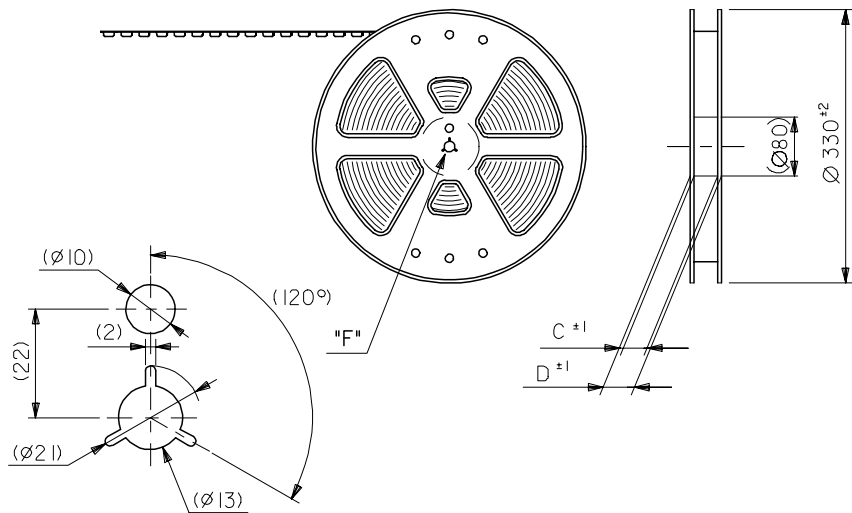
適合FPC推奨寸法
APPLICABLE FPC
RECOMMENDED DIMENSION.
(仕上がり厚さ: 0.3±0.05)
(THICKNESS: 0.3±0.05)



REVISED EC NO: J2016-0380 DRWN: SANUMA 2015/10/16 CHKD: TAKAHASHI 2015/10/16 APPR: YNOGAWA 2015/11/09 N	GENERAL TOLERANCES (UNLESS SPECIFIED)		DIMENSION STYLE	SCALE	DESIGN UNITS	THIRD ANGLE PROJECTION
			MM ONLY	---	METRIC	
	0.25 UNDER UNDER ±0.03 0.25 OVER 0.5 UNDER ±0.05 0.5 OVER 1.0 UNDER ±0.1 1.0 OVER 10 UNDER ±0.2 10 OVER 30 UNDER ±0.25 30 OVER ±0.3		DRAWN BY DATE KTOJO 2003/04/17 CHECKED BY DATE MSASAO 2003/04/17 APPROVED BY DATE	TITLE		0.5 FPC CONN ZIF FOR SMT S/T SHEET 2 OF 2
	ANGULAR ±---° DRAFT WHERE APPLICABLE MUST REMAIN WITHIN DIMENSIONS		MATERIAL NO. SEE SHEET 1	DOCUMENT NO.	SHEET NO.	
			SIZE	THIS DRAWING CONTAINS INFORMATION THAT IS PROPRIETARY TO MOLEX INCORPORATED AND SHOULD NOT BE USED WITHOUT WRITTEN PERMISSION		



引き出し方向
PULL OUT
DIRECTION



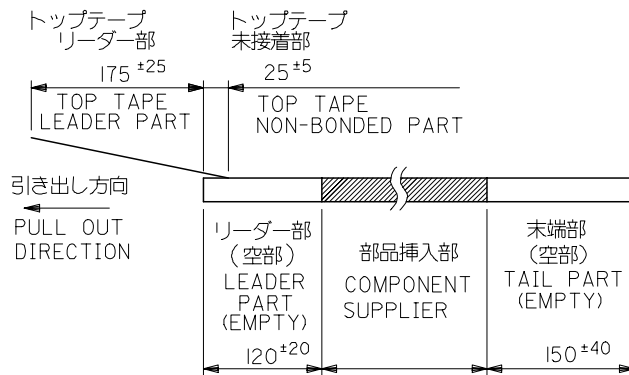
DETAIL "F"

5. 材料 キャリアテープ: ポリプロピレン (PP)
 トップテープ: PET, PE, PEF
 リール: ポリスチレン (PS) <リサイクル材を含む>

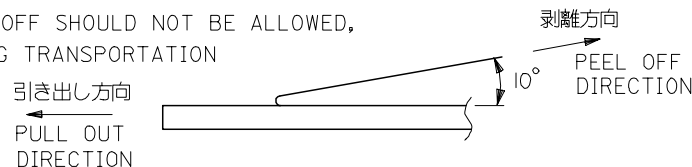
MATERIAL CARRIER TAPE: POLYPROPYLENE
 TOP TAPE: PET, PE, PEF
 REEL: POLYSTYRENE (PS)
 <RECYCLE MATERIAL CONTAINED>

注記 NOTES

- 製品番号 52559-***17 の梱包状態はアクチュエータがロックした状態とする。
 詳細寸法については図面 SD-52559-***17 を参照下さい。
 IN THE PACKAGE, ACTUATOR OF PART NO. 52559-***17 SHOULD BE LOCKED
 RE DETAILED DIMENSIONS, SEE SD-52559-***17
- 梱包数量: 1000個/リール
 NUMBER OF CONNECTORS: 1000PCS/REEL
- リードテープ長さ LEAD TAPE LENGTH



- トップテープの剥離強度: (剥離方向は下図参照)
 0.1N~0.7N (10.2gf~71.4gf) 尚、本規格値は、出荷時に適用。
 (但し、輸送時に剥離が発生しない事。)
 PEELING OFF FORCE OF TOP TAPE
 0.1N~0.7N (10.2gf~71.4gf) (PEELING DIRECTION AS SHOWN IN FOLLOWING FIG.)
 THIS REQUIREMENT SHOULD BE APPLIED AT SHIPMENT
 PEEL OFF SHOULD NOT BE ALLOWED,
 DURING TRANSPORTATION



REVISED EC NO: J2006-3700 DRAWN: NABEI 2006/06/16 CHKD: KTOYODA 2006/06/19 APPR: NUKITA 2006/06/22	GENERAL TOLERANCES (UNLESS SPECIFIED)		DIMENSION STYLE MM ONLY		SCALE ---	52559-***90	MODEL NO.
	10 UNDER	± ---	DRAWN BY S. KAJINUMA	DATE '91/11/13	TITLE	DESIGN UNIT'S METRIC	THIRD ANGLE PROJECTION
	10 OVER 30 UNDER	± ---	CHECKED BY S. KUNISHI	DATE '00/12/20	0.5 FPC CONN ASSY ZIF SMT ST EMBSTP PKG		
	30 OVER	± ---	APPROVED BY M. FUKUSHIMA	DATE '00/12/20		MOLEX INCORPORATED	
ANGULAR	± --- °	MATERIAL NO. SEE CHART		DOCUMENT NO. SD-52559-051	SHEET NO. 1 OF 4		
G	DRAFT WHERE APPLICABLE MUST REMAIN WITHIN DIMENSIONS		SIZE A3		THIS DRAWING CONTAINS INFORMATION THAT IS PROPRIETARY TO MOLEX INCORPORATED AND SHOULD NOT BE USED WITHOUT WRITTEN PERMISSION		

10 9 8 7 6 5 4 3 2 1

F

E

D

C

B

A

F

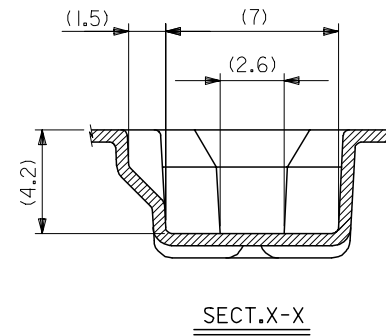
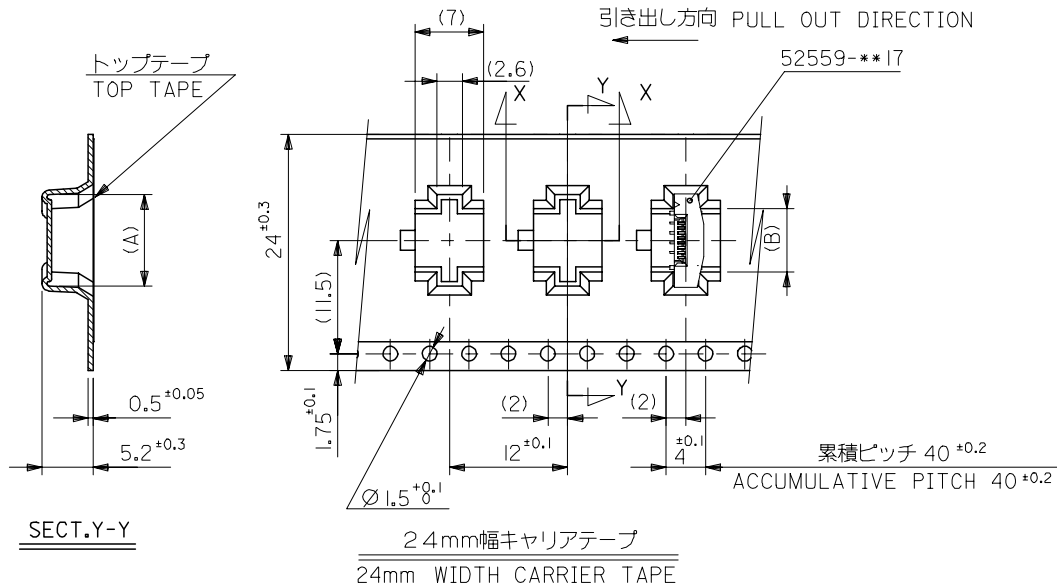
E

D

C

B

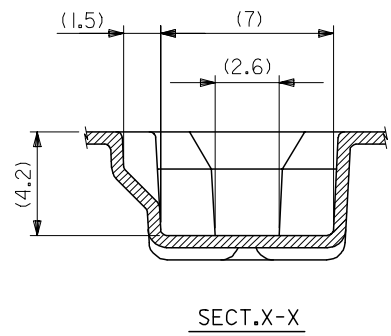
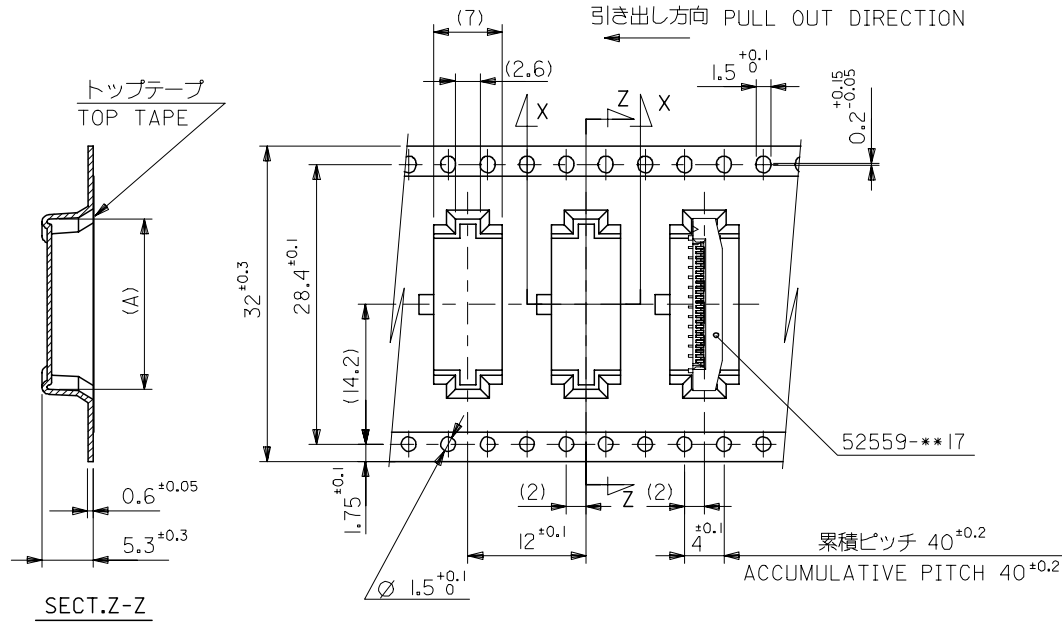
A



24	29.4	25.4	13.4	16.3	52559-2290	22
			12.4	15.3	52559-2090	20
			11.9	14.8	52559-1990	19
			11.4	14.3	52559-1890	18
			10.4	13.3	52559-1690	16
			9.9	12.8	52559-1590	15
			9.4	12.3	52559-1490	14
			8.9	11.8	52559-1390	13
			8.4	11.3	52559-1290	12
			7.9	10.8	52559-1190	11
6.4	9.3	52559-0890	8			
5.4	8.3	52559-0690	6			

キャリアテープ幅 D C (B) (A) MATERIAL NO. 極数 CIRCUIT

REVISED EC NO: J2006-3700 DRWN: NABEI 2006/06/16 CHKD: KTOYODA 2006/06/19 APPR: NUKITA 2006/06/22 G REV	GENERAL TOLERANCES (UNLESS SPECIFIED)		DIMENSION STYLE MM ONLY		SCALE ---	DESIGN UNITS METRIC	THIRD ANGLE PROJECTION
	10 UNDER	± ---	DRAWN BY DATE S. KAJINUMA '91/11/13		TITLE 0.5 FPC CONN ASSY ZIF SMT ST EMBSTP PKG		
	10 OVER 30 UNDER	± ---	CHECKED BY DATE S. KUNISHI '00/12/20		APPROVED BY DATE M. FUKUSHIMA '00/12/20		
	30 OVER	± ---	MATERIAL NO.		DOCUMENT NO. SD-52559-051		SHEET NO. 2 OF 4
	ANGULAR ± --- °		SEE CHART		MOLEX INCORPORATED		
DRAFT WHERE APPLICABLE MUST REMAIN WITHIN DIMENSIONS		THIS DRAWING CONTAINS INFORMATION THAT IS PROPRIETARY TO MOLEX INCORPORATED AND SHOULD NOT BE USED WITHOUT WRITTEN PERMISSION					



32mm幅キャリアテープ
32mm WIDTH CARRIER TAPE

32	37.4	33.4	18.9	21.8	52559-3390	33
			18.4	21.3	52559-3290	32
			17.4	20.3	52559-3090	30
			16.4	19.3	52559-2890	28
			15.4	18.3	52559-2690	26
			14.9	17.8	52559-2590	25
			14.4	17.3	52559-2490	24

キャリアテープ幅 D C (B) (A) MATERIAL NO. 極数 CARRIER TAPE WIDTH

REVISED EC NO: J2006-3700 DRWN: NABEI 2006/06/16 CHKD: KTOYODA 2006/06/19 APPR: NUKITA 2006/06/22 G REV	GENERAL TOLERANCES (UNLESS SPECIFIED)		DIMENSION STYLE MM ONLY		SCALE ---	DESIGN UNITS METRIC	THIRD ANGLE PROJECTION
	10 UNDER	± ---	DRAWN BY DATE S. KAJINUMA '91/11/13		TITLE 0.5 FPC CONN ASSY ZIF SMT ST EMBSTP PKG		
	10 OVER 30 UNDER	± ---	CHECKED BY DATE S. KUNISHI '00/12/20		MOLEX INCORPORATED		
	30 OVER	± ---	APPROVED BY DATE M. FUKUSHIMA '00/12/20		DOCUMENT NO. SD-52559-051		
	ANGULAR	± --- °	MATERIAL NO. SEE CHART		SHEET NO. 3 OF 4		
DRAFT WHERE APPLICABLE MUST REMAIN WITHIN DIMENSIONS		THIS DRAWING CONTAINS INFORMATION THAT IS PROPRIETARY TO MOLEX INCORPORATED AND SHOULD NOT BE USED WITHOUT WRITTEN PERMISSION					

10 9 8 7 6 5 4 3 2 1

F

E

D

C

B

A

F

E

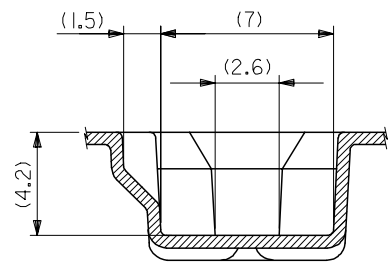
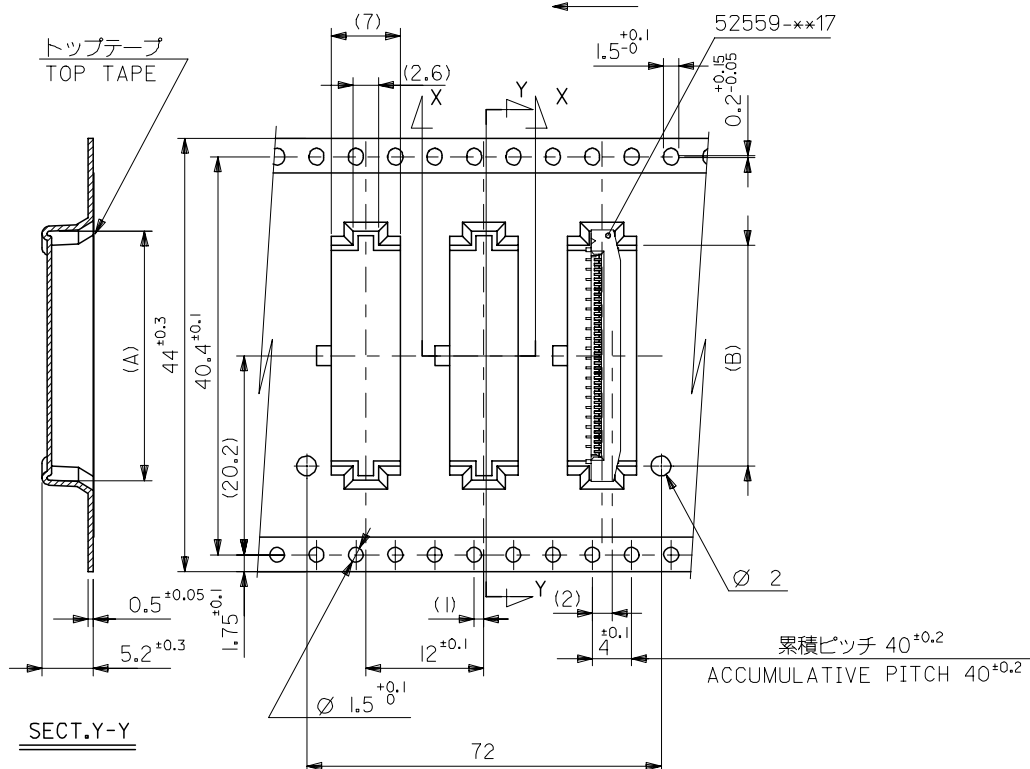
D

C

B

A

引き出し方向 PULL OUT DIRECTION



44mm幅キャリアテープ
44mm WIDTH CARRIER TAPE

REVISED	DESCRIPTION
EC NO: J2006-3700	2006/06/16
DRWN: NABE	2006/06/19
CHKD: TOYODA	
APPR: NUKITA	2006/06/22
G	REV

GENERAL TOLERANCES (UNLESS SPECIFIED)	
10 UNDER	± ---
10 OVER 30 UNDER	± ---
30 OVER	± ---
ANGULAR	± --- °
DRAFT WHERE APPLICABLE MUST REMAIN WITHIN DIMENSIONS	

44	49.4	45.4	22.4	25.3	52559-4090	40	
			20.4	23.3	52559-3690	36	
キャリアテープ幅 CARRIER TAPE WIDTH		D	C	(B)	(A)	MATERIAL NO.	CIRCUIT NO.
DIMENSION STYLE		SCALE		DESIGN UNITS		THIRD ANGLE PROJECTION	
MM ONLY		---		METRIC		☉ □	
DRAWN BY	DATE	TITLE		MOLEX INCORPORATED			
S.KAJINUMA	'91/11/13	0.5 FPC CONN ASSY ZIF SMT ST EMBSTP PKG					
CHECKED BY	DATE						
S.KUNISHI	'00/12/20						
APPROVED BY	DATE						
M.FUKUSHIMA	'00/12/20						
MATERIAL NO.		DOCUMENT NO.		SHEET NO.			
SEE CHART		SD-52559-051		4 OF 4			
SIZE A3 THIS DRAWING CONTAINS INFORMATION THAT IS PROPRIETARY TO MOLEX INCORPORATED AND SHOULD NOT BE USED WITHOUT WRITTEN PERMISSION							