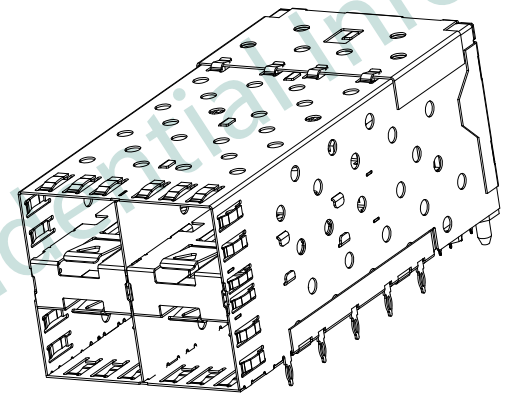
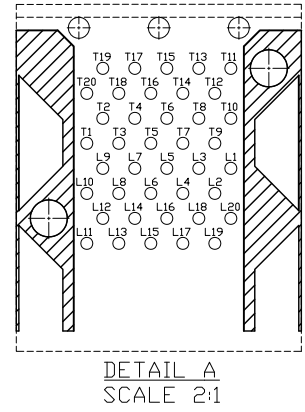
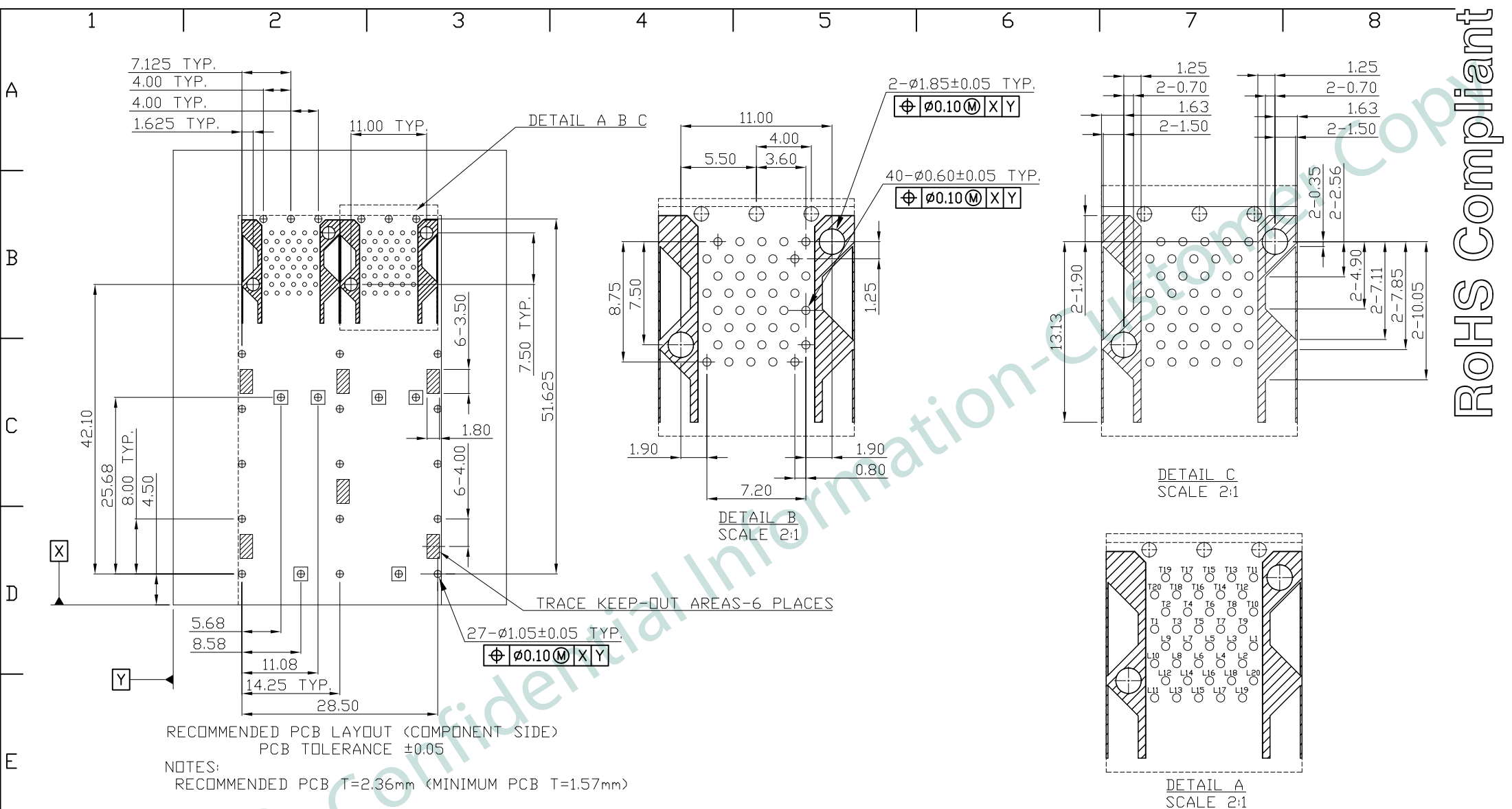


| REV. | DATE | DESCRIPTION |
|------|--------------|-------------|
| 01 | Jul. 05, '18 | 1st RELEASE |
| | | |
| | | |

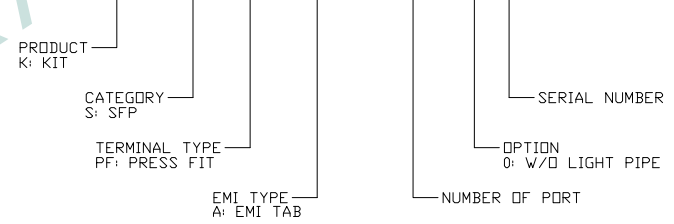
- NOTES:
- MATERIAL:
 CAGE: T=0.25mm COPPER ALLOY
 CONNECTOR HOUSING: GLASS FILLED THERMOPLASTIC UL94V-0, COLOR-BLACK
 TERMINALS: PHOSPHOR BRONZE
 - FINISH:
 TERMINALS CONTACT AREA: PLATED-GOLD
 SOLDER TERMINAL AREA: PLATED-TIN
 - UNSPECIFIED TOLERANCE: .XXX ±0.15
 .XX ±0.25
 .X ±0.35



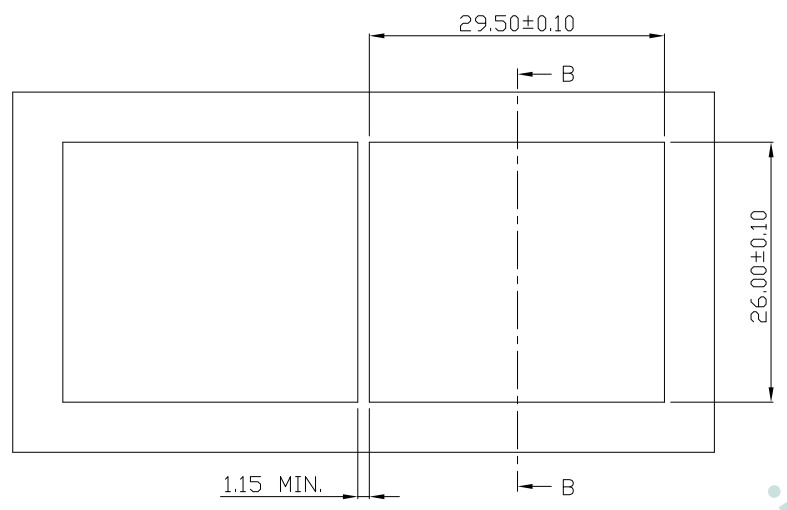
| | | | | |
|----------|---|------------------|--------------|--------|
| PART NO | | KSFP-K-SPFA-2202 | | |
| TITLE | SFP 2X2 CAGE + CONNECTOR, EMI TAB, W/O LIGHT PIPE, PRESS FIT TYPE | | | |
| REV : 01 | | | | |
| UNIT | DRAWN | CHKD | DATE | SHEET |
| mm[inch] | CINDY | VINCENT | Jul. 05, '18 | 1 of 3 |



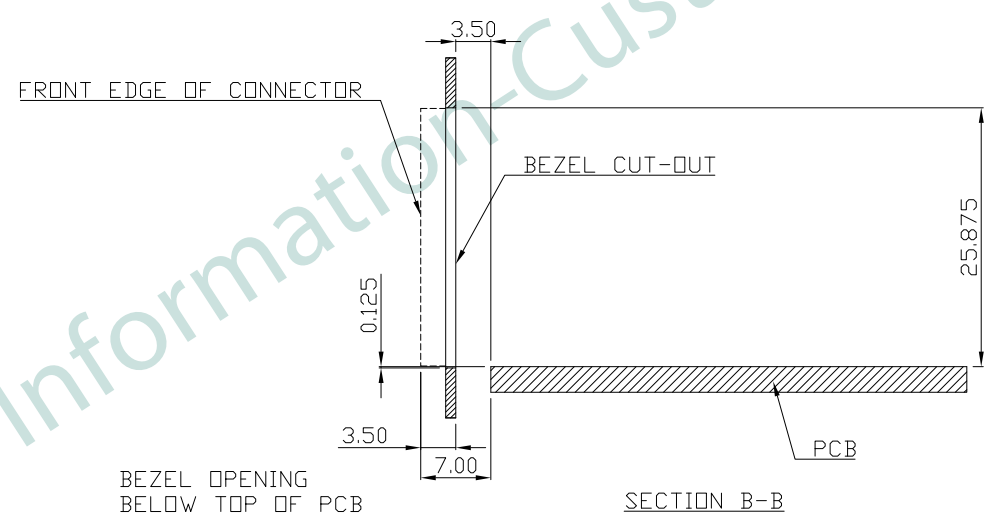
KSFP-K-SPFA-2202

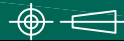


| | | | | |
|----------|---|------------------|--------------|--------|
| PART NO | | KSFP-K-SPFA-2202 | | |
| TITLE | SFP 2X2 CAGE + CONNECTOR, EMI TAB, W/D LIGHT PIPE, PRESS FIT TYPE | | | |
| REV : 01 | | | | |
| UNIT | DRAWN | CHKD | DATE | SHEET |
| mm[inch] | CINDY | VINCENT | Jul. 05, '18 | 2 of 3 |



RECOMMENDED PANEL CUTOUT AND PC BOARD
PANEL POSITION AND T=0.8~2.6mm



| | | | | |
|---|---|------------------|--------------|--------|
|  PART NO | | KSFP-K-SPFA-2202 | | |
| TITLE | SFP 2X2 CAGE + CONNECTOR, EMI TAB, W/O LIGHT PIPE, PRESS FIT TYPE | | | |
| REV : 01 | | | | |
| UNIT | DRAWN | CHKD | DATE | SHEET |
| mm[inch] | CINDY | VINCENT | Jul. 05, '18 | 3 of 3 |