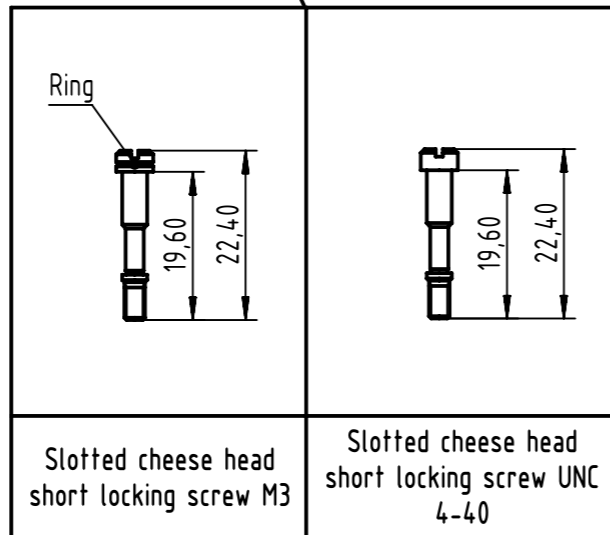


Knurled long locking screw UNC 4-40

Knurled long locking screw M3



Slotted cheese head short locking screw M3

Slotted cheese head short locking screw UNC 4-40

09 67 025 04X3			
09 67 025 0493	M3	Long locking screw	With ring
09 67 025 0433	4-40 UNC		Without ring
09 67 025 0483	M3	Short locking screw	With ring
09 67 025 0443	4-40 UNC		Without ring
Part number	Screw size	Screw type	Identification for locking screw

Content D-Sub hood			Spare parts (MOQ100)	
Pos.	Quantity	Description	Part Number	Quantity
01	1	Bottom hood		
02	1	Top cover		
03	2	Locking screw:(Preassembled)		
		either slotted cheese head short locking screw 4-40 UNC(for 0967 025 0443)		
		or slotted cheese head short locking screw M3(for 0967 025 0483)		
		or knurled long locking screw 4-40 UNC(for 0967 025 0433)		
		or knurled long locking screw M3(for 0967 025 0493)		
04	2	Cover screw ST2,2		
05	2	Clamp screw ST2,2	0967 000 9944	1
06	1	Cable clamp	0967 000 9943	1

	All rights reserved Department EL PD	All Dimensions in mm Original Size DIN A3	Scale 1:1	Free size tol.	Ref. Sub.
		Created by ZENGDO	Inspected by LUOK	Standardisation ROEBEN	Date 2022-01-21
Title D-Sub metallized hood 25-pole with locking screws					Doc-Key / ECM-Nr. 100847193/UGD/001/D 50000208988
HARTING D-32339 Espelkamp		Type TB	Number 096702504X3		Rev. D
					Page 1/1