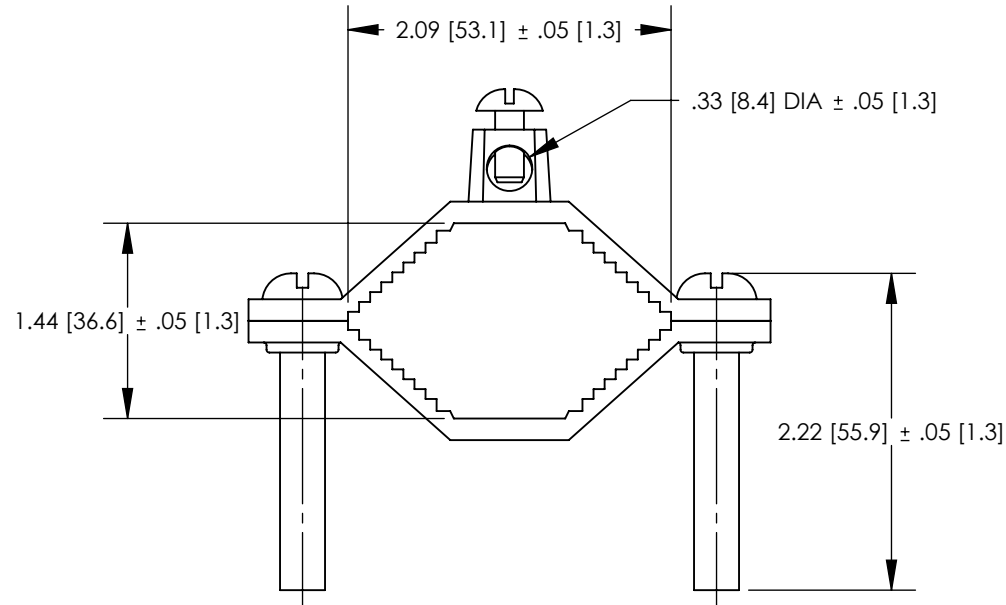
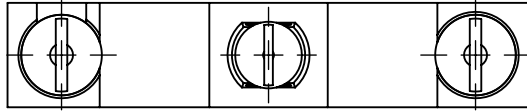


THIS COPY IS PROVIDED ON A RESTRICTED BASIS AND IS NOT TO BE USED IN ANY WAY DETRIMENTAL TO THE INTERESTS OF PANDUIT CORP.



NOTES:

1. MATERIAL:
 BODY - BRONZE (GUN METAL)
 SCREW - PHOS. BRONZE (GPC2-2D)
 STEEL, ZINC PLATED (GPC2-2)
2. PARTS ARE cULus LISTED TO UL467 AS
 GROUNDING & BONDING EQUIPMENT.
3. RATED FOR DIRECT BURIAL (GPC2-2D ONLY)
4. SEE WWW.PANDUIT.COM FOR PART NUMBER
 SUFFIX DESIGNATION FOR PACKAGE SIZE.



GPC2-2D ONLY

PART NUMBER	DESCRIPTION	WATER PIPE	GROUNDING WIRE
GPC2-2	GROUND CLAMP BARE WIRE	1-1/4" - 2"	10 - 2 STR
GPC2-2D	GROUND CLAMP BARE WIRE DIRECT BURIAL	1-1/4" - 2"	10 - 2 STR

REV	DATE	BY	CHK	APR	DESCRIPTION	ECN
00	7/12	JHNU	SRBI	RGB	DRAWING RELEASED	10J018AJ-JC

TITLE
BRONZE GROUND PIPE CLAMP - 1-1/4"-2"
 CUSTOMER DRAWING

ITEM REVISION NAME: 10J018AJ/00

DATASET FILE NAME: 10J018AJ-JC/00.SLDDRW

UNLESS OTHERWISE SPECIFIED,
 DIMENSIONAL TOLERANCES ARE: IN [mm]
 .X ± .XXX ±
 .XX ± ANGLES ±

THIRD ANGLE
 PROJECTION

MATERIAL: SEE NOTES

DRAWING NUMBER: 10J018AJ-JC

REV	DATE	BY	CHK	APR	DESCRIPTION	ECN	DRAWN BY	DATE	CHK	SCALE	SHEET	SIZE
							JHNU	7/12	SRBI	N/A	1 OF 1	A