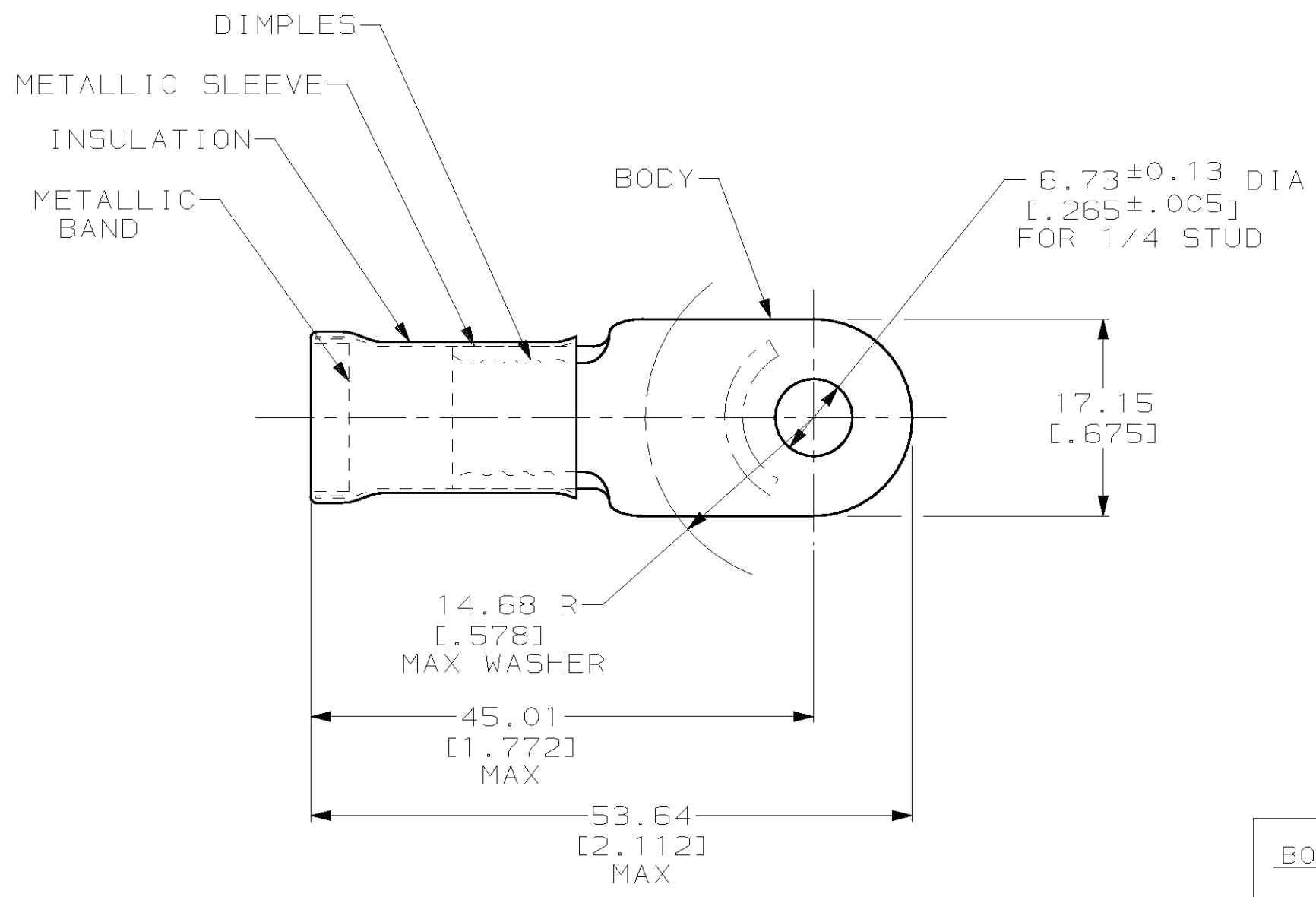


THIS DRAWING IS UNPUBLISHED. RELEASED FOR PUBLICATION ,19 .  
 © COPYRIGHT 19 BY AMP INCORPORATED. ALL RIGHTS RESERVED.

LOC		DIST		REVISIONS			
P	LTR	DESCRIPTION	DATE	DWN	APVD		
G	14	E	REVISIED PER 0L20-0178-97	310CT97	DKS	CHK	



- 1 MATERIAL THK: 1.45 ± 0.08 [.057 ± .003]
- 2 WIRE INSULATION DIA: 16.05 [.632] MAX

<u>BODY:</u> COPPER PER ASTM B-152 TIN PL 0.00254 [.000100] MIN THK PER ASTM B-545	322157
<u>INSULATION:</u> PVC <u>COLOR:</u> RED	
<u>METALLIC SLEEVE:</u> COPPER PER ASTM B-152	
<u>METALLIC BAND:</u> STEEL PER ASTM A-109	
MATERIAL & FINISH	AMP PART NUMBER

## AMP INCORPORATED CUSTOMER SERVICE SYSTEMS

FOR ADDITIONAL PRODUCT INFORMATION OR COPIES OF DRAWINGS AND TECHNICAL DOCUMENTS	PRODUCT INFORMATION CENTER 1-800-522-6752	RECOMMENDED OPERATING TEMPERATURE: 105°C MAX
FOR APPLICATION TOOLING INFORMATION	TOOLING ASSISTANCE CENTER 1-800-722-1111	VOLTAGE RATING: NOT APPLICABLE
FOR ORDER ENTRY	1-800-526-5142	WIRE CROSS SECTIONAL AREA RANGE: 26.7-42.4mm <sup>2</sup> [52,600-83,700] CIR MILS SOLID OR STRANDED

THIS DRAWING IS A CONTROLLED DOCUMENT.

DIMENSIONS: mm [INCHES]	TOLERANCES UNLESS OTHERWISE SPECIFIED:
	0 PLC ±-
	1 PLC ±-
	2 PLC ±0.20 [.008]
	3 PLC ±-
	4 PLC ±-
	ANGLES ±-
MATERIAL SEE TABLE	FINISH SEE TABLE

DWN DK SCHRUM 310CT97	<b>AMP</b> AMP Incorporated Harrisburg, PA 17105-3608
CHK MJ SPICER 03NOV97	
APVD JL MECKLEY 03NOV97	NAME TERMINAL, RING TONGUE, AMPLI-BOND™, WIRE SIZE: 2 AWG
PRODUCT SPEC -	SIZE A3 00779
APPLICATION SPEC -	CAGE CODE C- 322157
WEIGHT -	DRAWING NO 322157
CUSTOMER DRAWING	RESTRICTED TO -
SCALE 2:1	SHEET 1 OF 1
REV E	