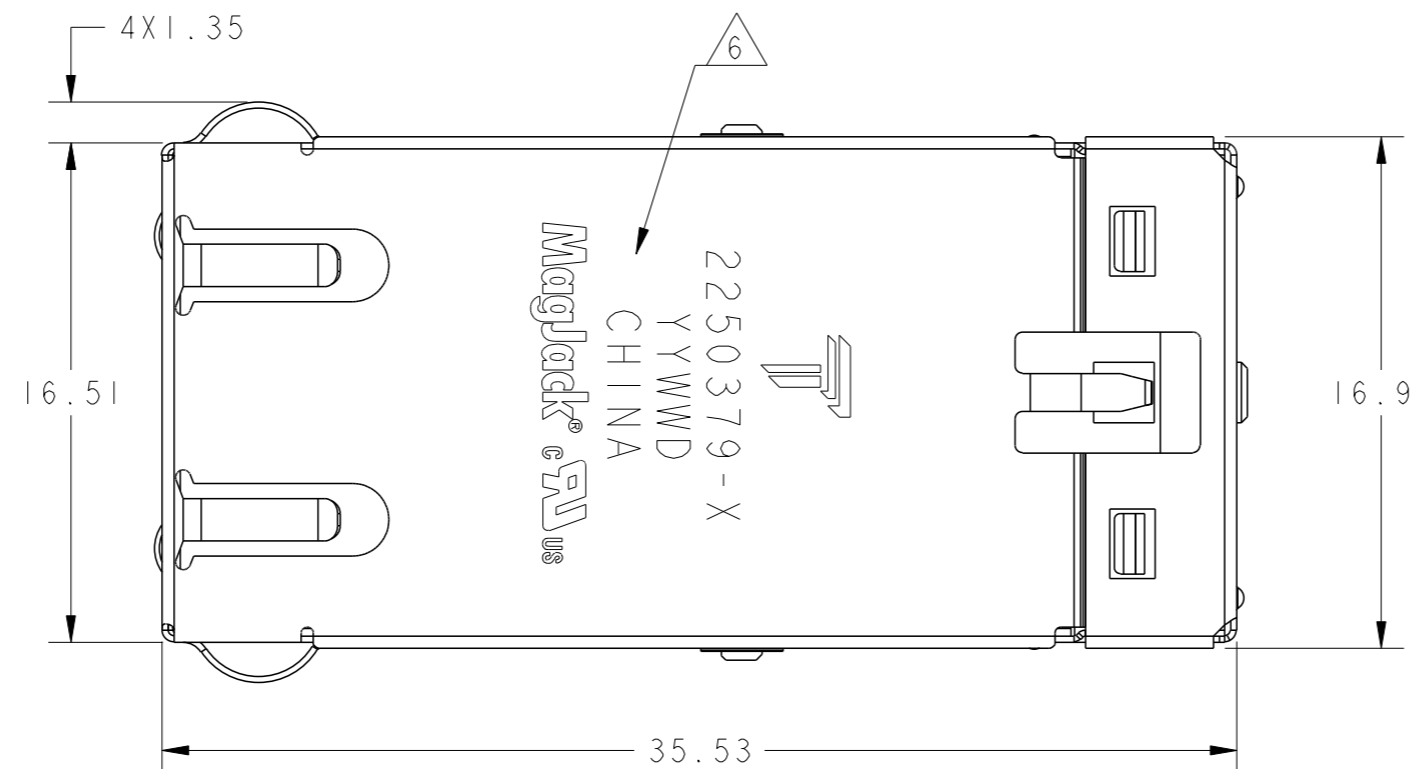
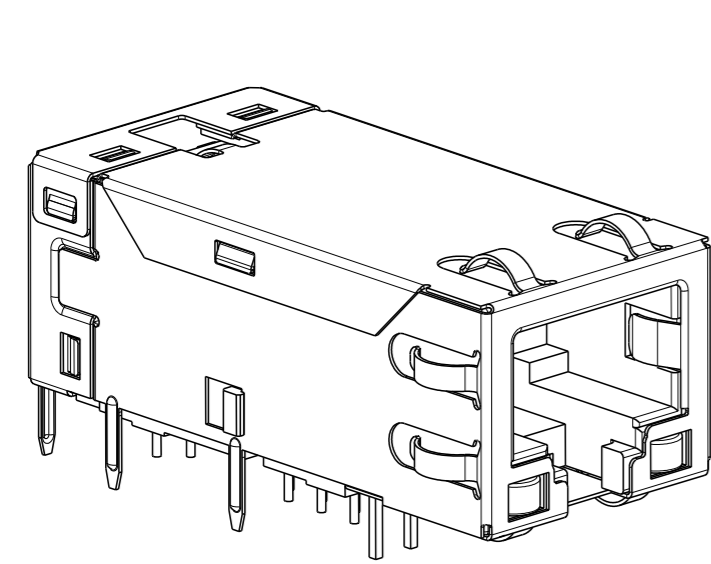


THIS DRAWING AND THE SUBJECT MATTER SHOWN THEREON ARE CONFIDENTIAL AND THE PROPERTY OF BEL/STEWART/TRP CONNECTOR AND SHALL NOT BE REPRODUCED, COPIED, OR USED IN ANY MANNER WITHOUT THE WRITTEN CONSENT OF TRP CONNECTOR.

PRODUCT MAY BE PROTECTED BY ONE OR MORE OF THE FOLLOWING US PATENTS:
 5736910 5939955 6425781 6428361 6554638 6840817 7123117
 7429195 7717749 7808751 6217391 6149050 7924130

REVISIONS					
P	LTR	DESCRIPTION	DATE	DWN	APVD
5		SEE FINAL SHEET	16APR2021	JY	TY



1. MATERIALS:
 - HOUSING: THERMOPLASTIC, FLAMMABILITY, RATING UL 94V-0
 - SHIELD: 0.20mm THICK COPPER BASE ALLOY PREPLATED WITH 0.76um MIN SEMI-BRIGHT NICKEL, OR 0.20mm THICK STAINLESS STEEL
 - MOD JACK CONTACTS: 0.3mm THICK, PHOSPHOR BRONZE, 1.27um MIN OVERALL NICKEL UNDERPLATE, WITH 1.27um MIN LOCALIZED GOLD PLATE AT CONTACT INTERFACE

2. MAGNETICS:
 - APPLICATION: 1G/10G BASE-T, 4PPoE, EXTENDED TEMPERATURE
 - IMPEDANCE: 100 OHMS
 - TURNS RATIO (CHIP:CABLE): 1:1 ALL FOUR PAIRS
 - OPEN CIRCUIT INDUCTANCE (OCL): 160uH MIN @ 100kHz, 0.1VRMS, ALL FOUR PAIRS, 120uH MIN @ 100kHz, 0.1VRMS, 23mA DC BIAS, ALL FOUR PAIRS
 - ALL FOUR PAIRS BI-DIRECTIONAL
 - PoE CURRENT: 900mA DC MAX
 - PERFORMANCE @ 25°C (WHERE f IS FREQUENCY IN MHZ):
 RL (MAX)
 1 MHz - 40 MHz -18 dB
 40 MHz - 400 MHz -18 + 10lg (f/40)
 400 MHz - 500MHz -8 + 30lg (f/400)
 - ISOLATION VOLTAGE: 2250VDC FOR 60 SECONDS WITH A RISE TIME OF 500V/SEC.

3. OPERATING TEMPERATURE: FROM -40°C TO 85°C

4. RJ45 JACK CAVITY CONFORMS TO FCC RULES AND REGULATIONS PART 68, SUB-PART F.

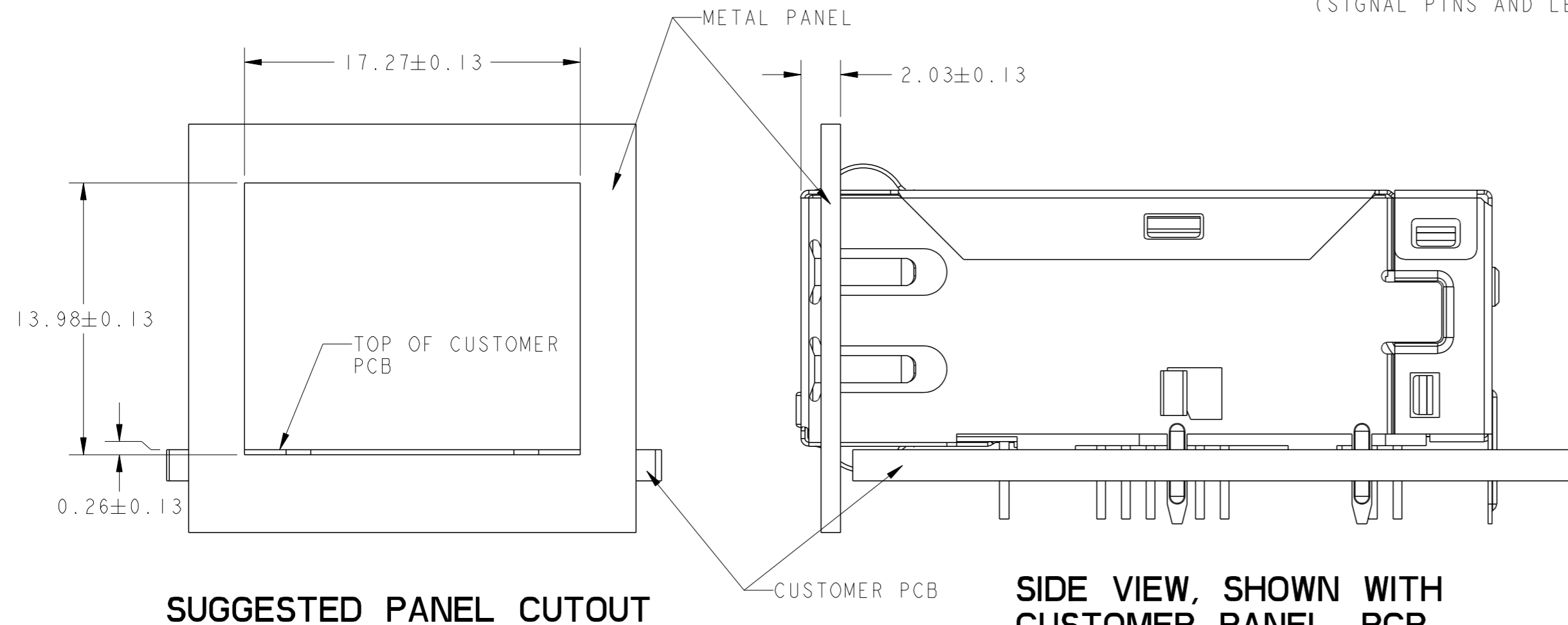
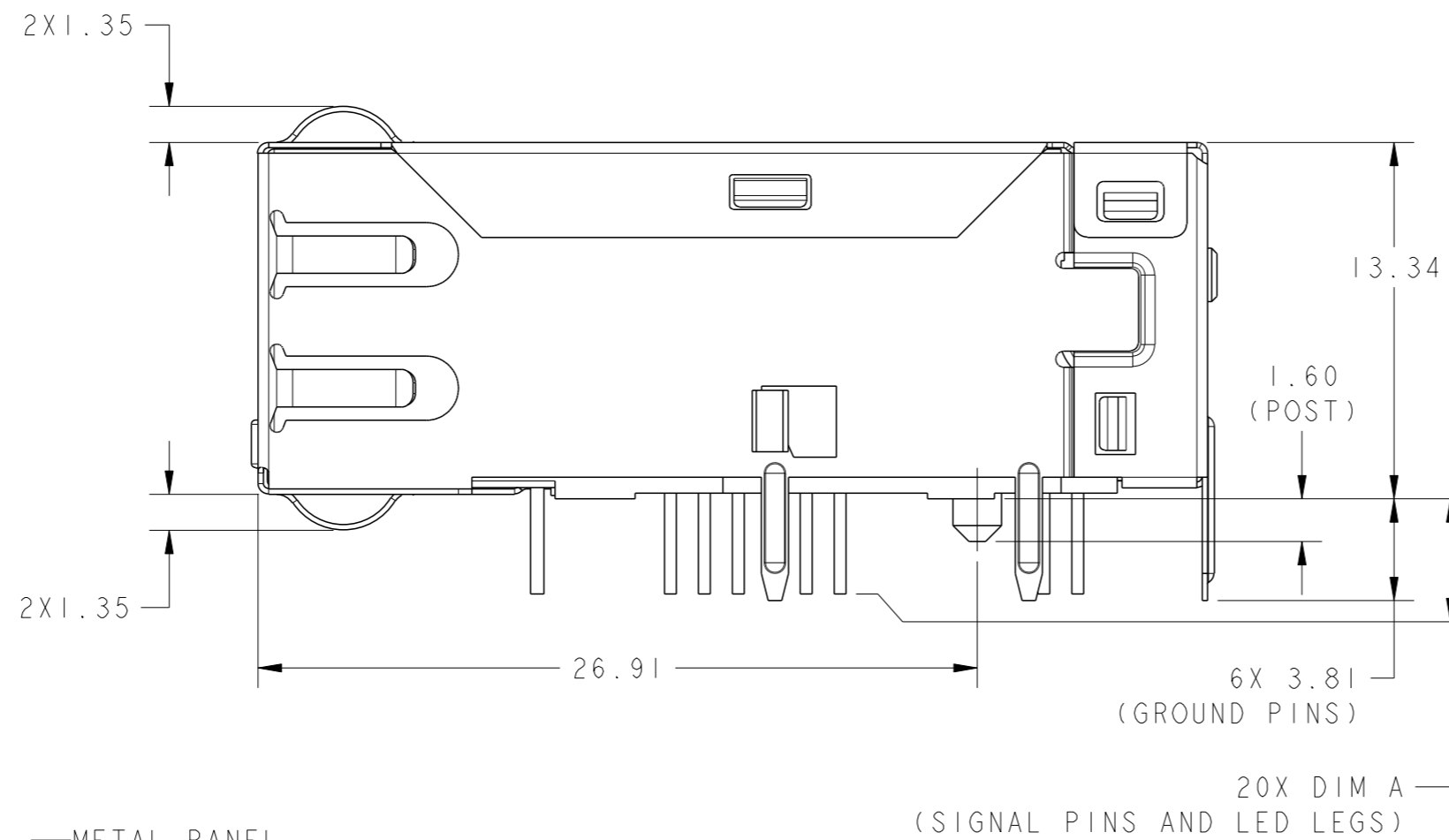
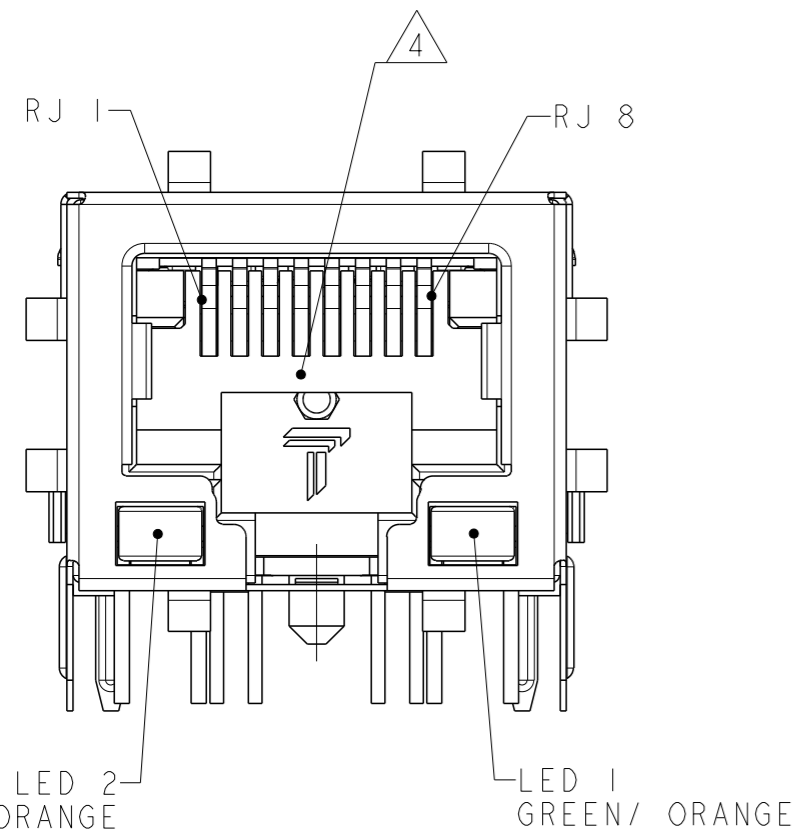
5. ALL DIMENSIONS ARE NOMINAL UNLESS OTHERWISE NOTED.

6. TRP CONNECTOR LOGO, PART NUMBER, DATE CODE, COUNTRY OF ORIGIN, AND AGENCY APPROVAL MARKING IN APPROXIMATE LOCATION SHOWN, DATE CODE: YYWWD WHERE YY IS YEAR, WW IS WORK WEEK, D IS DAY OF WEEK, WITH SUNDAY=1.

7. DATUM Y AND BASIC DIMENSION ESTABLISH BY CUSTOMER.

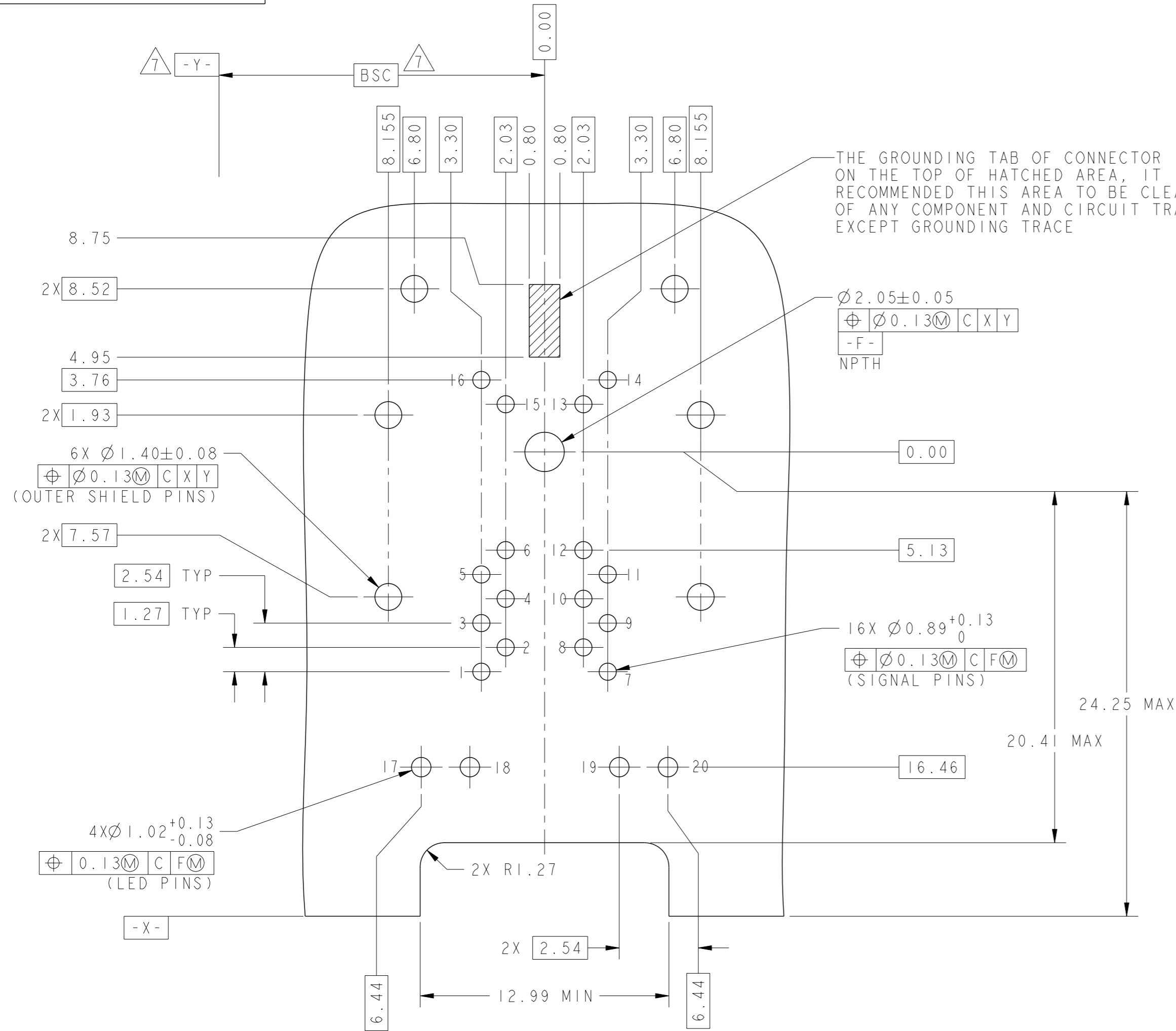
8. LEDs ARE DRIVEN WITH CONSTANT CURRENT AT APPROX 20mA
 LED COLOR: DOMINANT WAVELENGTH (λD): GREEN 568 nm TYP. @ IF=20mA
 FORWARD VOLTAGE (VF): GREEN 2.2V TYP. @ IF=20mA
 DOMINANT WAVELENGTH (λD): ORANGE 605 nm TYP. @ IF=20mA
 FORWARD VOLTAGE (VF): ORANGE 2.1V TYP. @ IF=20mA

9. PART SHOULD BE RECOMMENDED FOR WAVE SOLDERING PROCESS, PEAK WAVE SOLDERING TEMPERATURE IS 260°C, 10 SECOND MAX.

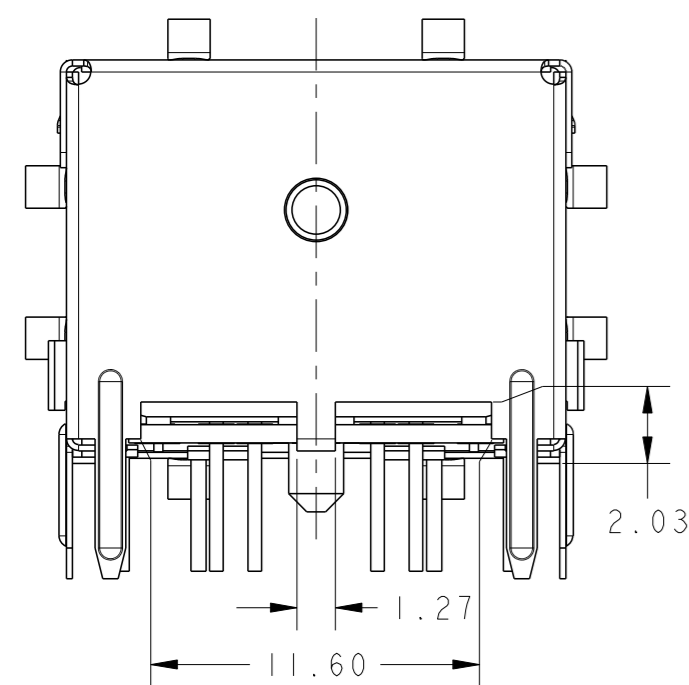


GREEN	ORANGE	GREEN	ORANGE	3.00	2250379-2
GREEN	ORANGE	GREEN	ORANGE	3.56	2250379-1
17-18	18-17	19-20	20-19	DIM A	PART NUMBER

THIS DRAWING IS A CONTROLLED DOCUMENT, AND COMPLIANT TO ASME Y14.5M		DWN 11MAR2016 DALE PAN/ XENIA WANG		trp CONNECTOR a bel group DONGGUAN CHINA	
DIMENSIONS: mm		CHK 11MAR2016 TOWER YU/ BILL LIU			
TOLERANCES UNLESS OTHERWISE SPECIFIED:		APVD 11MAR2016 TONY YUAN		MODEL NAME	
0 PLC ±0.25		MAGJACK		DESC IXI 4UTG01ET 10G 4PPoE TAB DOWN	
1 PLC ±0.25		SINGLE 4PPoE		SIZE	
2 PLC ±0.25		PRODUCT SPEC 108-104004		CAGE CODE	
3 PLC ±0.25		APPLICATION SPEC		DRAWING NO C-2250379	
4 PLC ±0.25		RESTRICTED TO		SCALE NTS	
ANGLES ±		CUSTOMER DRAWING		SHEET 1 OF 3	
APPLICATION SPEC		REV 5			

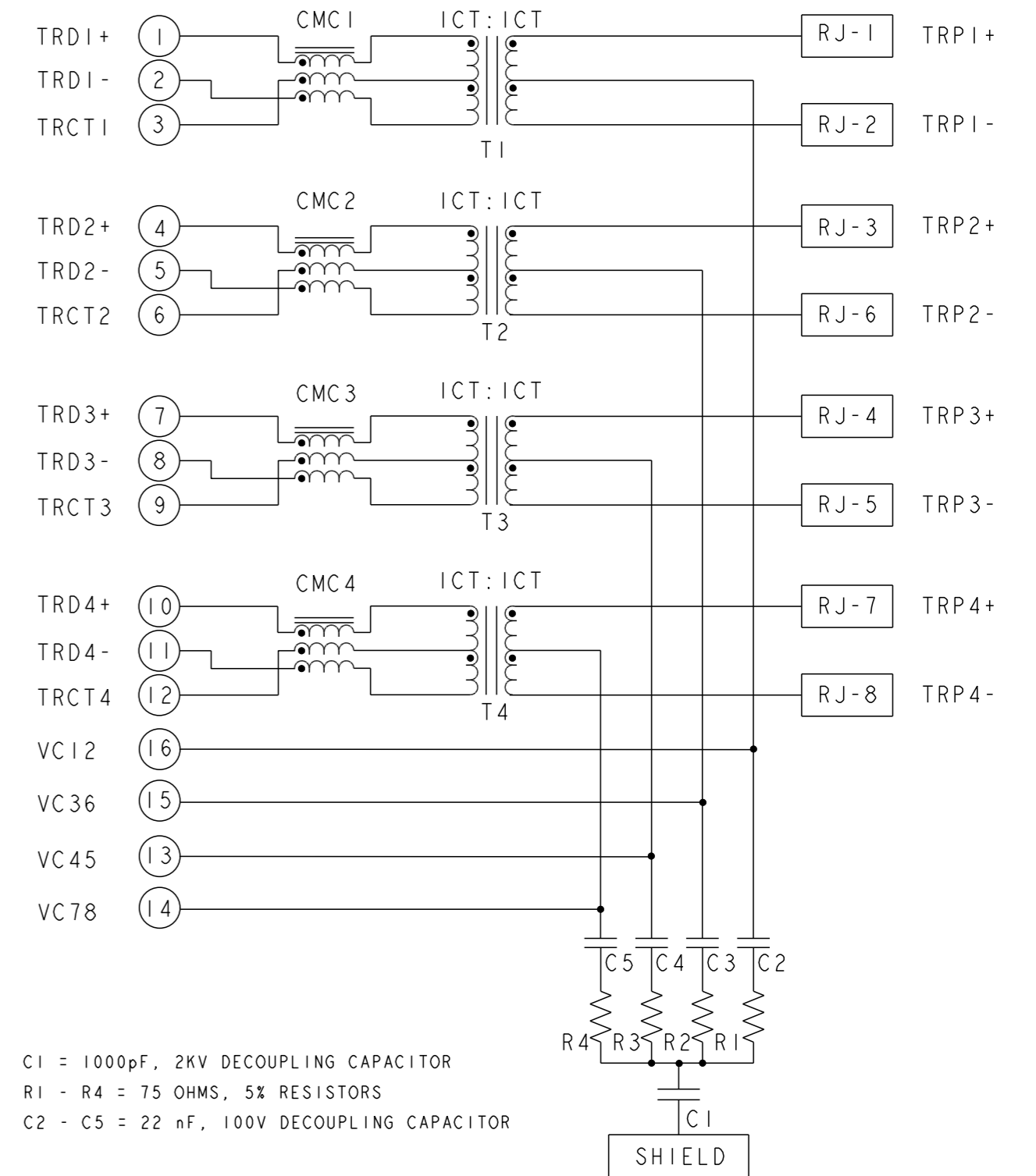



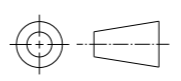
**RECOMMENDED PC BOARD LAYOUT
(VIEWED FROM COMPONENT SIDE)**



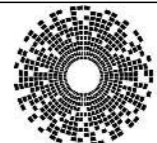
BACK VIEW

4UTG01ET 10 GIGABIT 100W CIRCUIT



THIS DRAWING IS A CONTROLLED DOCUMENT. AND COMPLIANT TO ASME Y14.5M		DWN 11MAR2016 DALE PAN/ XENIA WANG	 trp CONNECTOR a bel group	DONGGUAN CHINA
DIMENSIONS: mm		CHK 11MAR2016 TOWER YU/ BILL LIU		
	TOLERANCES UNLESS OTHERWISE SPECIFIED:	APVD 11MAR2016 TONY YUAN	DESC IXI 4UTG01ET 10G 4PPoE TAB DOWN	
	0 PLC ±0.25 1 PLC ±0.25 2 PLC ±0.25 3 PLC ±0.25 4 PLC ±0.25	ANGLES ±°	MODEL NAME MAGJACK SINGLE 4PPoE	SIZE A2
PRODUCT SPEC 108-104004	APPLICATION SPEC -	CUSTOMER DRAWING		RESTRICTED TO -
			SCALE NTS	SHEET 2 OF 3 REV 5

2250379						STOCK DISPOSITION			
--						A:CONTINUE AS IS B:REWORK C:SCRAP		D:USE OLD FIRST E:PARTS TO CONFORM F:OTHER	
REVISION HISTORY									
DATE	REV	CHANGE	REASON	APPROVAL	INVENTORY (A,B,C,D,E,F)	WORK IN PROCESS (A,B,C,D)	SUPPLIER ORDERS (A,E,F)	OPEN CUST ORDERS (A,E,F)	
11MAR2016	1	-	INITIAL RELEASE	TONY YUAN	-	-	-	-	
13JUL2016	2	SHEET 2, D1, CHANGE POWER FROM 90W TO 100W	CUSTOMER REQUEST	TONY YUAN	-	-	-	-	
27MAR2017	3	SHEET 1, C2, ADD PERFORMANCE DETAIL IN NOTE 2 SHEET 2, B1~D2, SHOW SCHEMATIC DETAIL	CUSTOMER REQUEST	TONY YUAN	-	-	-	-	
10OCT2017	4	ADD 2250379-2	MARKET REQUIREMENT	TONY YUAN	-	-	-	-	
16APR2021	5	CHANGE TO OPERATING TEMPERATURE: FROM -40°C TO 85°C REMOVE ONE NPTH ON CUSTOMER PCB	CUSTOMER REQUEST	TONY YUAN	-	-	-	-	

THIS DRAWING IS A CONTROLLED DOCUMENT. AND COMPLIANT TO ASME Y14.5M		DWN 11MAR2016 DALE PAN/ XENIA WANG	 trp CONNECTOR a bel group	DONGGUAN CHINA	
DIMENSIONS: mm		CHK 11MAR2016 TOWER YU/ BILL LIU		DESC IXI 4UTG01ET 10G 4PPoE TAB DOWN	
TOLERANCES UNLESS OTHERWISE SPECIFIED: 0 PLC ±0.25 1 PLC ±0.25 2 PLC ±0.25 3 PLC ±0.25 4 PLC ±0.25 ANGLES ±		APVD 11MAR2016 TONY YUAN	RESTRICTED TO		
PRODUCT SPEC 108-104004		MODEL NAME MAGJACK SINGLE 4PPoE	SIZE A2	CAGE CODE G-2250379	DRAWING NO C-2250379
CUSTOMER DRAWING			SCALE NTS	SHEET 3	OF 3 REV 5