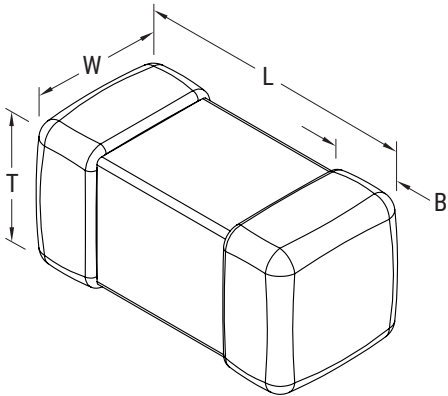


## Sample Kit Contents

| KEMET Part Number | Case Size   | Capacitance | Cap Tolerance | Rated Voltage | Dielectric | Quantity |
|-------------------|-------------|-------------|---------------|---------------|------------|----------|
|                   | EIA/Metric  | (pF)        | %             | (V)           |            |          |
| CBR04C108BAGAC    | 0402 / 1005 | 0.1         | ±0.1 pF       | 250           | COG        | 100      |
| CBR04C208BAGAC    | 0402 / 1005 | 0.2         | ±0.1 pF       | 250           | COG        | 100      |
| CBR04C308BAGAC    | 0402 / 1005 | 0.3         | ±0.1 pF       | 250           | COG        | 100      |
| CBR04C408BAGAC    | 0402 / 1005 | 0.4         | ±0.1 pF       | 250           | COG        | 100      |
| CBR04C508BAGAC    | 0402 / 1005 | 0.5         | ±0.1 pF       | 250           | COG        | 100      |
| CBR04C608BAGAC    | 0402 / 1005 | 0.6         | ±0.1 pF       | 250           | COG        | 100      |
| CBR04C708BAGAC    | 0402 / 1005 | 0.7         | ±0.1 pF       | 250           | COG        | 100      |
| CBR04C808BAGAC    | 0402 / 1005 | 0.8         | ±0.1 pF       | 250           | COG        | 100      |
| CBR04C908BAGAC    | 0402 / 1005 | 0.9         | ±0.1 pF       | 250           | COG        | 100      |
| CBR04C109BAGAC    | 0402 / 1005 | 1.0         | ±0.1 pF       | 250           | COG        | 100      |
| CBR04C129BAGAC    | 0402 / 1005 | 1.2         | ±0.1 pF       | 250           | COG        | 100      |
| CBR04C159BAGAC    | 0402 / 1005 | 1.5         | ±0.1 pF       | 250           | COG        | 100      |
| CBR04C189BAGAC    | 0402 / 1005 | 1.8         | ±0.1 pF       | 250           | COG        | 100      |
| CBR04C209BAGAC    | 0402 / 1005 | 2.0         | ±0.1 pF       | 250           | COG        | 100      |
| CBR04C229BAGAC    | 0402 / 1005 | 2.2         | ±0.1 pF       | 250           | COG        | 100      |
| CBR04C279BAGAC    | 0402 / 1005 | 2.7         | ±0.1 pF       | 250           | COG        | 100      |
| CBR04C309BAGAC    | 0402 / 1005 | 3.0         | ±0.1 pF       | 250           | COG        | 100      |
| CBR04C339BAGAC    | 0402 / 1005 | 3.3         | ±0.1 pF       | 250           | COG        | 100      |
| CBR04C399BAGAC    | 0402 / 1005 | 3.9         | ±0.1 pF       | 250           | COG        | 100      |
| CBR04C409BAGAC    | 0402 / 1005 | 4.0         | ±0.1 pF       | 250           | COG        | 100      |
| CBR04C479BAGAC    | 0402 / 1005 | 4.7         | ±0.1 pF       | 250           | COG        | 100      |
| CBR04C509CAGAC    | 0402 / 1005 | 5.0         | ±0.25 pF      | 250           | COG        | 100      |
| CBR04C569CAGAC    | 0402 / 1005 | 5.6         | ±0.25 pF      | 250           | COG        | 100      |
| CBR04C609CAGAC    | 0402 / 1005 | 6.0         | ±0.25 pF      | 250           | COG        | 100      |
| CBR04C689CAGAC    | 0402 / 1005 | 6.8         | ±0.25 pF      | 250           | COG        | 100      |
| CBR04C709CAGAC    | 0402 / 1005 | 7.0         | ±0.25 pF      | 250           | COG        | 100      |
| CBR04C759CAGAC    | 0402 / 1005 | 7.5         | ±0.25 pF      | 250           | COG        | 100      |
| CBR04C809CAGAC    | 0402 / 1005 | 8.0         | ±0.25 pF      | 250           | COG        | 100      |
| CBR04C829CAGAC    | 0402 / 1005 | 8.2         | ±0.25 pF      | 250           | COG        | 100      |
| CBR04C909CAGAC    | 0402 / 1005 | 9.0         | ±0.25 pF      | 250           | COG        | 100      |
| CBR04C100JAGAC    | 0402 / 1005 | 10.0        | 5%            | 250           | COG        | 100      |
| CBR04C120JAGAC    | 0402 / 1005 | 12.0        | 5%            | 250           | COG        | 100      |
| CBR04C150JAGAC    | 0402 / 1005 | 15.0        | 5%            | 250           | COG        | 100      |
| CBR04C180JAGAC    | 0402 / 1005 | 18.0        | 5%            | 250           | COG        | 100      |
| CBR04C220JAGAC    | 0402 / 1005 | 22.0        | 5%            | 250           | COG        | 100      |
| CBR04C270JAGAC    | 0402 / 1005 | 27.0        | 5%            | 250           | COG        | 100      |
| CBR04C330JAGAC    | 0402 / 1005 | 33.0        | 5%            | 250           | COG        | 100      |
| CBR04C390JAGAC    | 0402 / 1005 | 39.0        | 5%            | 250           | COG        | 100      |
| CBR04C470JAGAC    | 0402 / 1005 | 47.0        | 5%            | 250           | COG        | 100      |
| CBR04C560JAGAC    | 0402 / 1005 | 56.0        | 5%            | 250           | COG        | 100      |
| CBR04C680JAGAC    | 0402 / 1005 | 68.0        | 5%            | 250           | COG        | 100      |
| CBR04C820JAGAC    | 0402 / 1005 | 82.0        | 5%            | 250           | COG        | 100      |
| CBR04C101JAGAC    | 0402 / 1005 | 100.0       | 5%            | 250           | COG        | 100      |
| KEMET Part Number | Case Size   | Capacitance | Cap Tolerance | Rated Voltage | Dielectric | Quantity |

## Dimensions – Millimeters (Inches)



| Case Size (in.) | Case Size (mm) | L Length                     | W Width                      | T Thickness                  | B Bandwidth                               | Mounting Technique |
|-----------------|----------------|------------------------------|------------------------------|------------------------------|---|--------------------|
| 0402            | 1005           | 1.00 ±0.05<br>(0.040 ±0.002) | 0.50 ±0.05<br>(0.020 ±0.002) | 0.50 ±0.05<br>(0.020 ±0.002) | 0.25 +0.05/-0.10<br>(0.010 +0.002/-0.004) | Solder Reflow Only |