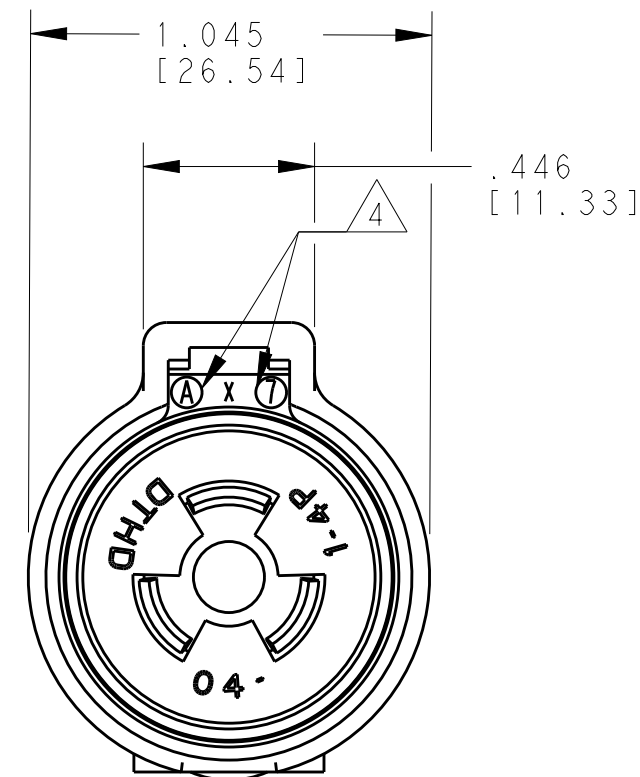
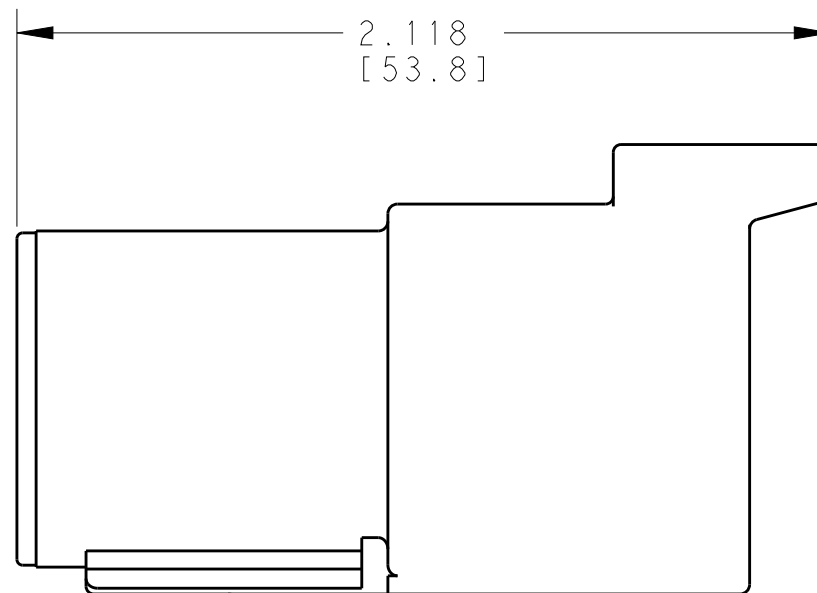
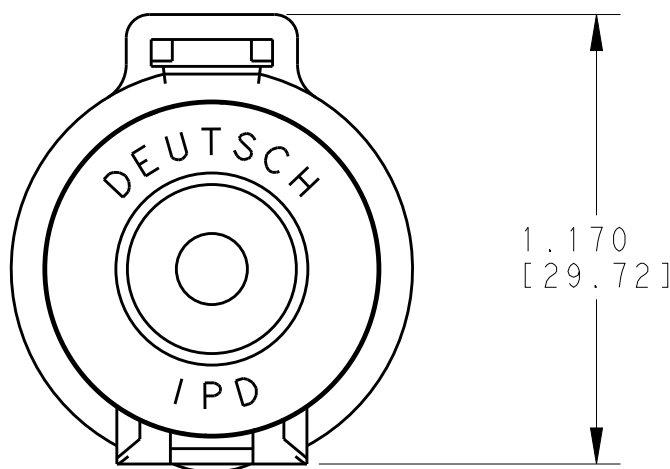
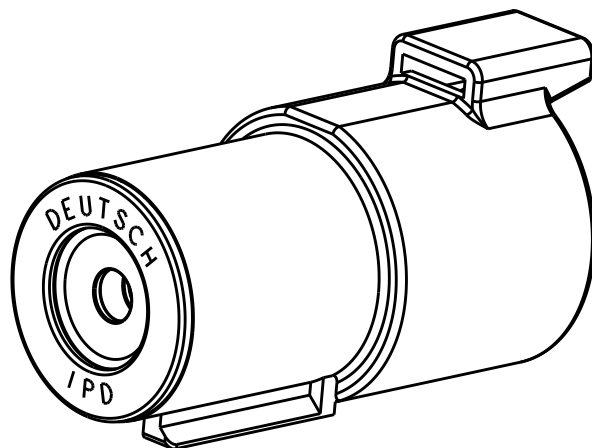


REVISIONS

P	LTR	DESCRIPTION	DATE	DWN	APVD
	A1	REVISED PER PCN E-18-015129	13DEC2018	SS	DM



5 MATERIAL: RECEPTACLE: PEI (BLACK); WELD RING: PEI (BLACK); WELD CAP: PEI(BLACK); INTERFACE SEAL: VMQ (RED-ORANGE)

4 DATE CODE: MONTH IS REPRESENTED BY SEQUENTIAL ALPHA CHARACTERS. EX: A = JANUARY. YEAR IS REPRESENTED BY LAST NUMERIC DIGIT. EX: 7 = 2007.

3. THIS RECEPTACLE MATES WITH DTHD06-1-4S-XXXX PLUG (XXXX= ALL MODIFICATIONS).

2. FOR "PERFORMANCE AND APPLICATION CHARACTERSTICS OF SOLID/STAMPED AND FORMED CONTACTS AND WIRES", SEE CUSTOMER DRAWING 0425-015-0000.

1. CONSULT FACTORY FOR ELECTRICAL AND MATERIAL SPECIFICATIONS.

NOTES:

TE INTERNAL PN	DEUTSCH PN
DTHD04-1-4P-E003	DTHD04-1-4P-E003

CONTACT SIZE	MIN. INSUL O.D.	MAX. INSUL O.D.	WIRE RANGE [mm ²] REF. ONLY
4	.261 [6.63]	.420 [10.67]	4 AWG [21.0]

THIS DRAWING IS A CONTROLLED DOCUMENT.		DWN J. HAYNES 15SEP1999		
DIMENSIONS: INCHES [mm]		CHK D. MEYER 15SEP1999		
TOLERANCES UNLESS OTHERWISE SPECIFIED:		APVD D. MEYER 16SEP1999	NAME RECEPTACLE POWER DT SIZE 4 HD CONTACTS -E003 MOD COLOR: BLACK	
0 PLC ±- 1 PLC ±- 2 PLC ±- 3 PLC ±.025 [0.64] 4 PLC ±- ANGLES ±0°30'0"		PRODUCT SPEC -	APPLICATION SPEC -	
MATERIAL 5	FINISH -	WEIGHT 14 g	SIZE A3	CAGE CODE 4AFU8
CUSTOMER DRAWING		DRAWING NO. DTHD04-1-4P-E003	RESTRICTED TO	
		SCALE 2:1	SHEET 1 OF 1	REV A1