

NVIDIA GT730 D3 1024MB

VHDCI to 4 HDMI

PCIe® ADD-IN BOARD

GFX-NG730LX8-3G

MPN: 1A1-E000818ADP

Datasheet



CONTENTS

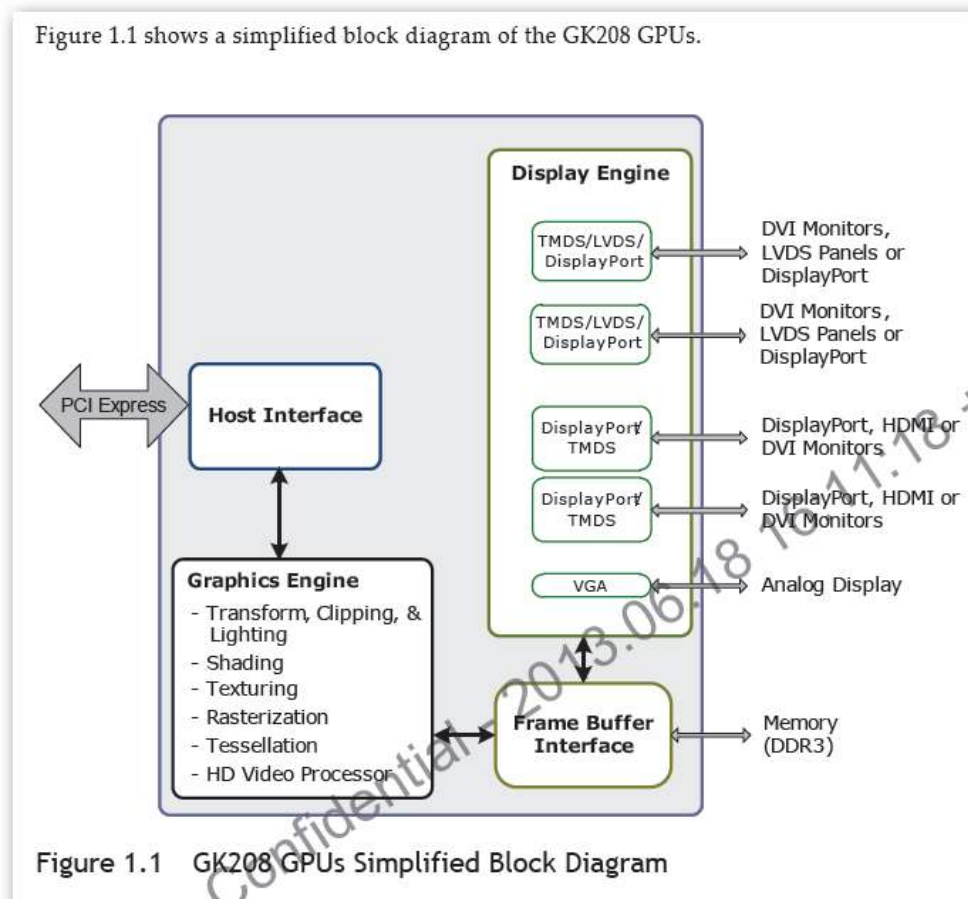
1.	Feature	3
2.	Functional Overview	4
2.1.	GPU Block diagram.....	4
2.2.	Key Features.....	4
2.3.	Memory.....	5
2.4.	Features and Technologies	5
2.5.	Display Support	錯誤! 尚未定義書籤。
2.6.	Video	5
2.7.	Bus Support Features	6
3.	PIN Assignment and Description.....	6
3.1.	HDMI Connector Pinout	6
4.	Power Specifications	7
5.	Thermal Specifications	7
6.	Output configuration and Board Dimension.....	8
6.1.	Output Configuration	8
6.2.	Board Dimension.....	8
6.3.	VHDCI to 4 HDMI Cable.....	9
7.	Thermal Mechanism.....	10

1. Feature

Model Name	GFX-NG730LX8-3G
Graphics Processing Unit	
GPU	GT730(GK208)
Process Technology	28 nm
Graphics Engine Operating Frequency (max)	902 MHz
Form Factor	Low profile (114.3X68.91 mm)
Card Interface	PCI Express® 2.0 (X8)
CUDA Cores	384
Texture Fill Rate(billion/sec)	14.4
DirectX® capability	DirectX® 12
Shader Model	Shader Model 5.0
OpenGL	OpenGL™ 4.4
Video Decoder	H.264, VC-1, MPEG-2, MPEG-4 part 2 decode, MVC, 3D Blu Ray
Memory	
Memory Operating Frequency (max)	900 MHz / 1.8 Gbps
Configuration, type	64-bit wide, 1 GB, DDR3
Display Interface	
HDMI	4

2. Functional Overview

2.1. GPU Block diagram



2.2. KEY FEATURES

GPU

- ▶ Core clock: 902 MHz
- ▶ Voltage: 0.8125 V – 1.1375V ± 2%
- ▶ Package size: 23mm x 23mm, 595-ball FCBGA(GB2-64)

Board

- ▶ 4-layer printed circuit board (PCB)
- ▶ PCI Express 2.0, 8 lanes
- ▶ Physical dimensions: 2.713 inches x 4.5 inches
- ▶ Board power: 25 W
- ▶ High definition digital content protection (HDCP) support

2.3. Memory

- ▶ Memory clock: 1800MHz
- ▶ Interface: 64 bit
- ▶ Local frame buffer 1 GB (4pieces 128M X 16 GDDR3, FBGA-170 package)

2.4. Features and Technologies

- ▶ Fully DirectX® 12 compliant and Shader Model 5.0
- ▶ OpenGL 4.4
- ▶ NVIDIA® Ageia PhysX™ technology
- ▶ NVIDIA® CUDA technology

2.5. Display Support

- ▶ Support Multi Monitor
- ▶ Support 4 HDMI through VHDCI
- ▶ HDMI Resolution 1920x1200

2.6. Video

The following video formats are supported:

- ▶ MPEG-2
- ▶ MPEG-4 Part 2 Advanced Simple Profile
- ▶ H.264 SVC codec support
- ▶ Support for 3D Blu Ray
- ▶ VC1
- ▶ DivX version 3.11 and later
- ▶ MVC

A full range of video resolutions are supported including 1080p, 1080i, 720p, 480p and 480i .

2.7. Bus Support Features

- ▶ Compliant with the PCI Express® Base Specification Revision 2.0, up to 1.8 GT/s
- ▶ Supports x1, x2, x4, and x8 lane widths.
- ▶ Supports 900 GT/s, and 1.8 GT/s link-data rates.
- ▶ Supports x8 lane reversal where the receivers on lanes 0 to 7 on the graphics endpoint are

mapped to the transmitters on lanes 7 down to 0 on the root complex.

- ▶ Supports ×8 lane reversal where the transmitters on lanes 0 to 7 on the graphics endpoint are mapped to the receivers on lanes 7 down to 0 on the root complex (requires corresponding support on the root complex).
- ▶ Supports full-swing and low-swing transmitter output levels.

3. PIN Assignment and Description

3.1 HDMI Header Pinout

Pin	Signal	Pin	Signal
1	TMDS Data 2+	11	TMDS Clock Shield
2	TMDS Data 2 Shield	12	TMDS Clock-
3	TMDS Data 2-	13	No Connect
4	TMDS Data 1+	14	No Connect
5	TMDS Data 1 Shield	15	DDC Clock
6	TMDS Data 1-	16	DDC Data
7	TMDS Data 0+	17	Ground
8	TMDS Data 0 Shield	18	+5V Power
9	TMDS Data 0-	19	Hot Plug Detect
10	TMDS Clock+		

4. Power Specifications

Parameter	Value	Unit
Input Board Power (Estimated)		
PCI Express edge connector (12V) (estimated input power)	1.4	A
	17	W
PCI Express edge connector (3V3) (estimated input power)	1.8	A
	6	W
Total estimated input graphics power (estimated TGP)	23	W

Component Power (Estimated)		
GPU (TDP, estimated)	16	W
Memory power (estimated; eight components)	1.1	W
Power supplies	3.9	W
Fan, PCB and other losses	2	W

5. Thermal Specifications

Parameter	Value	Unit
Fan inlet temperature (max.)	50	°C
Operating temperature	0~50	°C
GPU slowdown temperature (max.Tj)	98	°C
GPU shutdown temperature (max.)	105	°C
GPU junction temperature (estimated)	90	°C

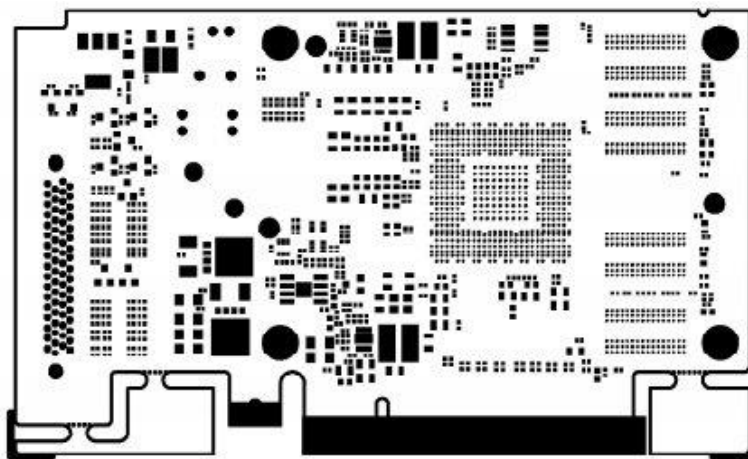
6. Output configuration and Board Dimension

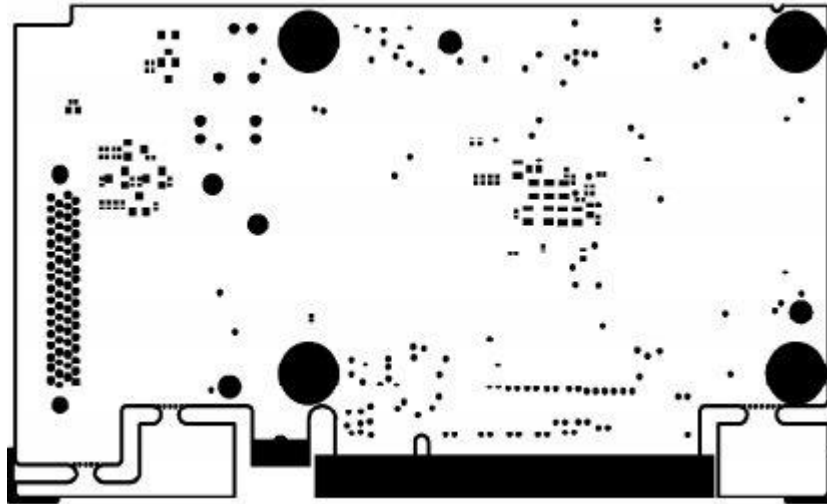
6.1. Output Configuration



6.2 Board Dimension

114.3 (L) X 68.91 (W) mm, Tolerances : +/- 0.13 mm

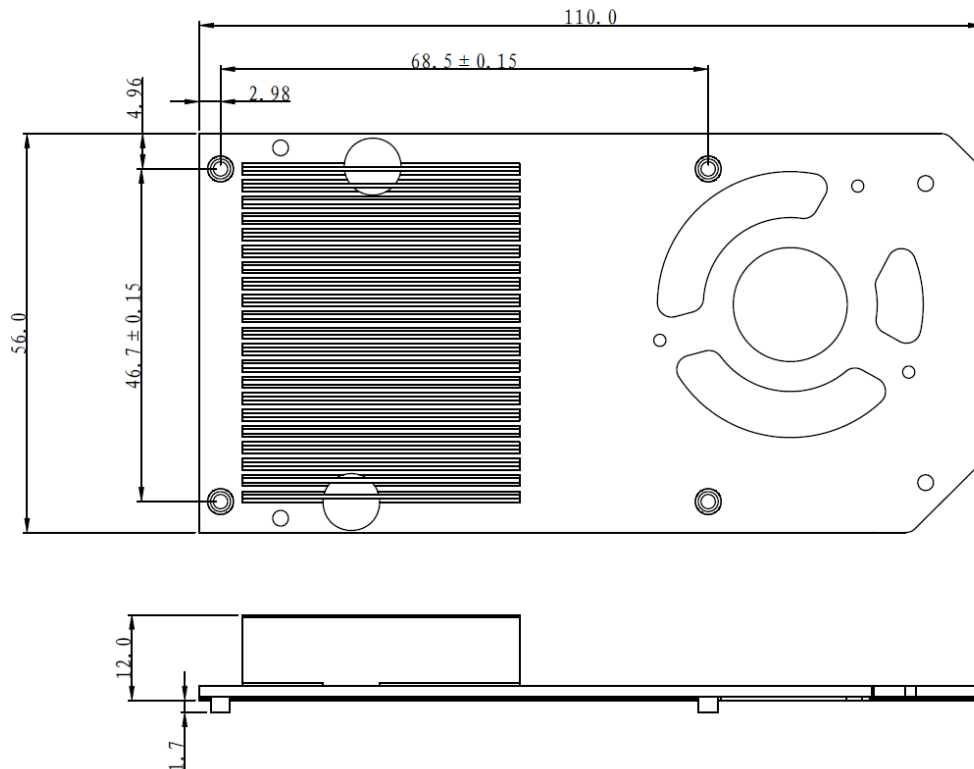
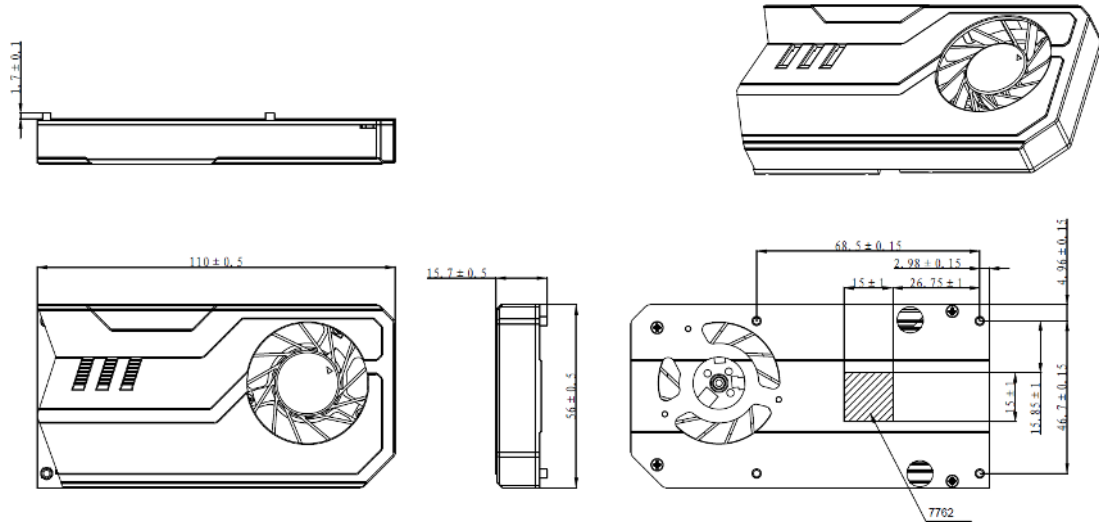


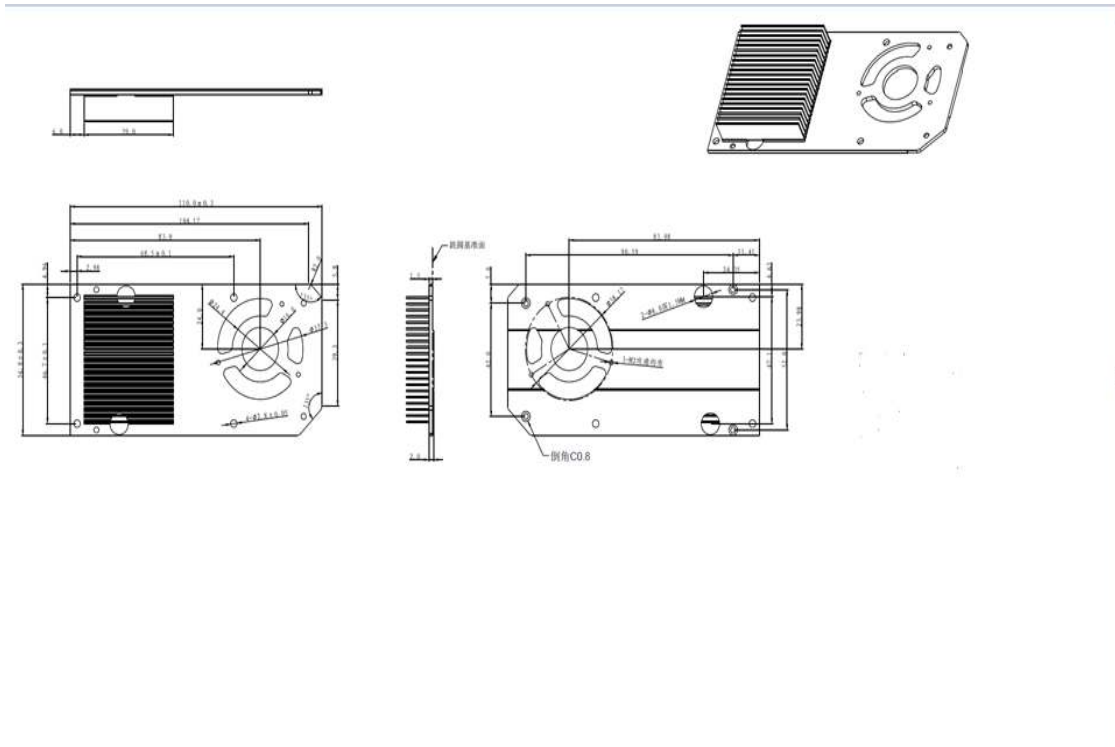


6.3. VHDCI to 4 HDMI Cable



7. Thermal Mechanism





Change log or update history

Rev.	Data	History
0.1	2014/12/30	1 st Draft