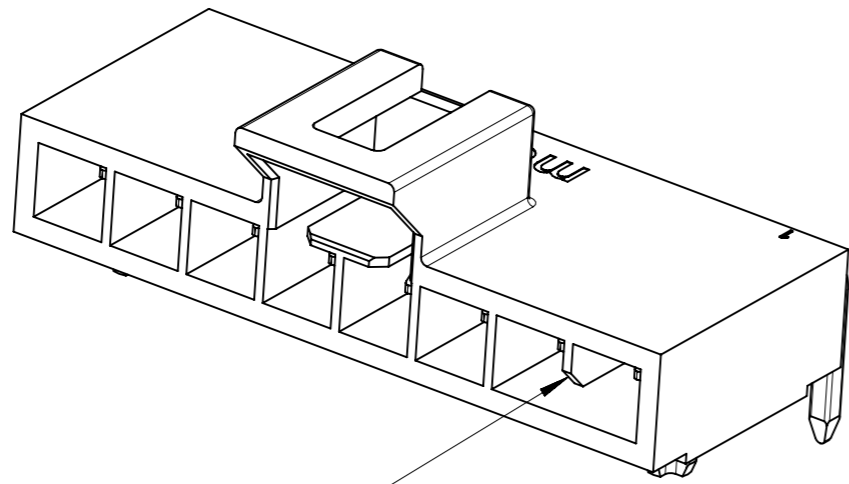


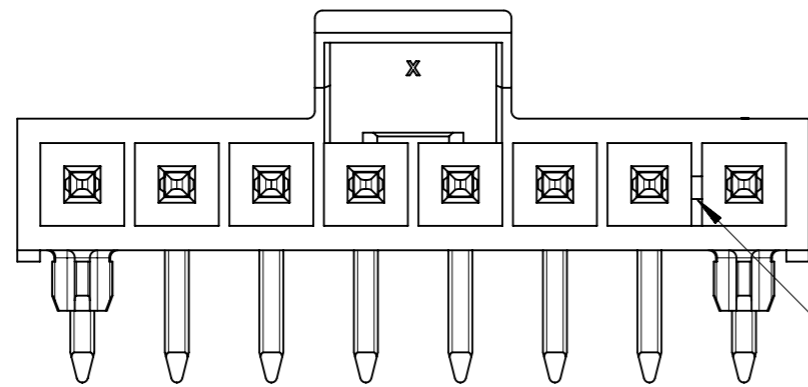
OPTION 1: LATCH FLUSH WITH PCB EDGE.
 OPTION 2: HOUSING BODY FLUSH WITH PCB EDGE.

RECOMMENDED PCB(CONNECTOR SIDE VIEW)
 THICKNESS=1.6 TO 2.4 MM.

FUNCTIONAL SYMBOLS	THIS DRAWING CONTAINS INFORMATION THAT IS PROPRIETARY TO MOLEX ELECTRONIC TECHNOLOGIES, LLC AND SHOULD NOT BE USED WITHOUT WRITTEN PERMISSION		CURRENT REV DESC:		molex
	△/A = 0	mm	NTS		
DIVISIONAL SYMBOLS	GENERAL TOLERANCES (UNLESS SPECIFIED)				HEADER OF NANO-FIT, S/R, R/A POWER CONNECTOR
	△/E = 0	ANGULAR TOL ± 3.0°			
DIVISIONAL SYMBOLS	△/V = 0	4 PLACES	±		PRODUCT CUSTOMER DRAWING
		3 PLACES	±	0.1	
		2 PLACES	±	0.2	DOCUMENT NUMBER
		1 PLACE	±	0.3	1053131000-SD
		0 PLACES	±		DOC TYPE
DRAFT WHERE APPLICABLE MUST REMAIN WITHIN DIMENSIONS		THIRD ANGLE PROJECTION	DRAWING	SERIES	MATERIAL NUMBER
			A3-SIZE	105313	CUSTOMER
				GENERAL MARKET	PSD 000 C
				SHEET NUMBER	
				1 OF 5	

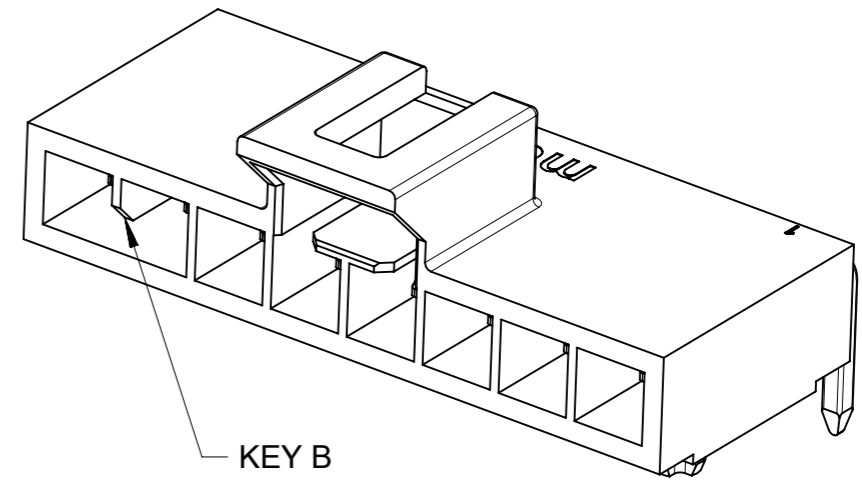


KEY A

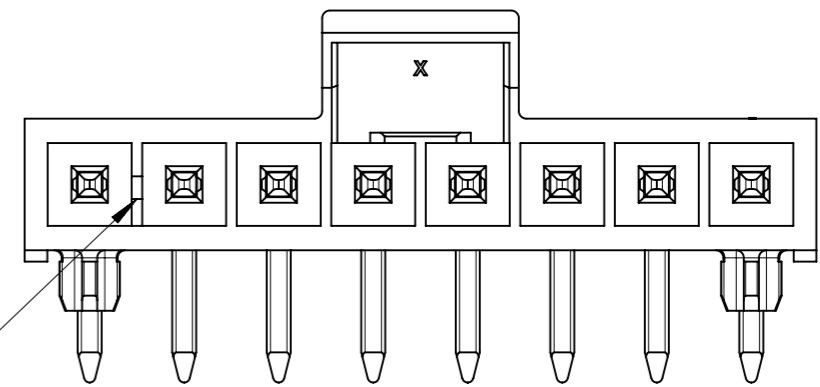


KEY A

BLACK



KEY B



KEY B

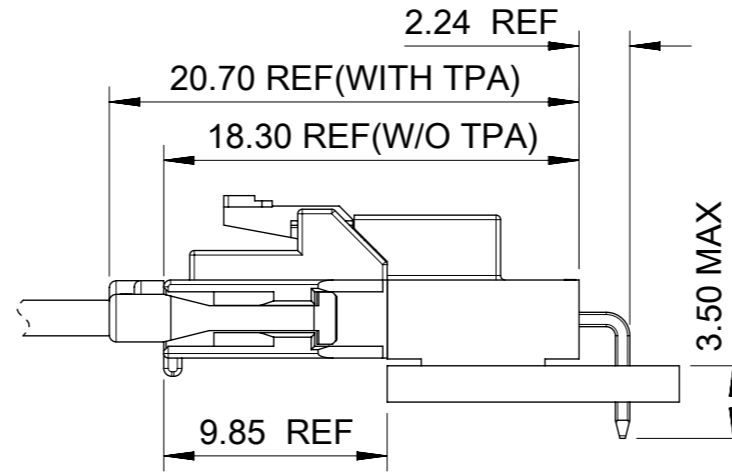
NATURAL

COLOR OPTION

FUNCTIONAL SYMBOLS	THIS DRAWING CONTAINS INFORMATION THAT IS PROPRIETARY TO MOLEX ELECTRONIC TECHNOLOGIES, LLC AND SHOULD NOT BE USED WITHOUT WRITTEN PERMISSION		CURRENT REV DESC:		molex			
	$\nabla_A = 0$ $\nabla_B = 0$ $\nabla_C = 0$	DIMENSION UNITS: mm SCALE: NTS						EC NO: 648137 DRWN: GLLI CHK'D: YXZHENG APPR: YXZHENG
DIVISIONAL SYMBOLS	GENERAL TOLERANCES (UNLESS SPECIFIED)		2020/10/30		PRODUCT CUSTOMER DRAWING			
	ANGULAR TOL $\pm 3.0^\circ$		2020/11/09					
	4 PLACES \pm	INITIAL REVISION:		DOCUMENT NUMBER		DOC TYPE	DOC PART	REVISION
	3 PLACES ± 0.1	DRWN: GLLI		1053131000-SD		PSD	000	C
2 PLACES ± 0.2	APPR: YXZHENG		2019/09/25		MATERIAL NUMBER			
1 PLACE ± 0.3	APPR: YXZHENG		2020/03/16		CUSTOMER			
0 PLACES \pm	DRAFT WHERE APPLICABLE MUST REMAIN WITHIN DIMENSIONS		THIRD ANGLE PROJECTION	DRAWING	SERIES	SHEET NUMBER		
				A3-SIZE	105313	2 OF 5		

10	9	8	7	6	5	4	3	2	1						
PART NUMBER	DIM 'A'	DIM 'B'	DIM 'C'	CKT SIZE	PLATING					PART NUMBER	DIM 'A'	DIM 'B'	DIM 'C'	CKT SIZE	PLATING
105313-1502	5.94	2.50	3.14	2	TIN					105313-2502	5.94	2.50	3.14	2	TIN
105313-1503	8.44	5.00	5.64	3						105313-2503	8.44	5.00	5.64	3	
105313-1504	10.94	7.50	8.14	4						105313-2504	10.94	7.50	8.14	4	
105313-1505	13.44	10.00	10.64	5						105313-2505	13.44	10.00	10.64	5	
105313-1506	15.94	12.50	13.14	6						105313-2506	15.94	12.50	13.14	6	
105313-1507	18.44	15.00	15.64	7						105313-2507	18.44	15.00	15.64	7	
105313-1508	20.94	17.50	18.14	8						105313-2508	20.94	17.50	18.14	8	
105313-1702	5.94	2.50	3.14	2		GOLD 0.38					105313-2702	5.94	2.50	3.14	
105313-1703	8.44	5.00	5.64	3					105313-2703	8.44	5.00	5.64	3		
105313-1704	10.94	7.50	8.14	4					105313-2704	10.94	7.50	8.14	4		
105313-1705	13.44	10.00	10.64	5					105313-2705	13.44	10.00	10.64	5		
105313-1706	15.94	12.50	13.14	6					105313-2706	15.94	12.50	13.14	6		
105313-1707	18.44	15.00	15.64	7					105313-2707	18.44	15.00	15.64	7		
105313-1708	20.94	17.50	18.14	8					105313-2708	20.94	17.50	18.14	8		
105313-1602	5.94	2.50	3.14	2	GOLD 0.76						105313-2602	5.94	2.50	3.14	2
105313-1603	8.44	5.00	5.64	3						105313-2603	8.44	5.00	5.64	3	
105313-1604	10.94	7.50	8.14	4						105313-2604	10.94	7.50	8.14	4	
105313-1605	13.44	10.00	10.64	5						105313-2605	13.44	10.00	10.64	5	
105313-1606	15.94	12.50	13.14	6						105313-2606	15.94	12.50	13.14	6	
105313-1607	18.44	15.00	15.64	7						105313-2607	18.44	15.00	15.64	7	
105313-1608	20.94	17.50	18.14	8						105313-2608	20.94	17.50	18.14	8	
105313-1802	5.94	2.50	3.14	2		GOLD 0.76 + LUBE					105313-2802	5.94	2.50	3.14	2
105313-1803	8.44	5.00	5.64	3					105313-2803	8.44	5.00	5.64	3		
105313-1804	10.94	7.50	8.14	4					105313-2804	10.94	7.50	8.14	4		
105313-1805	13.44	10.00	10.64	5					105313-2805	13.44	10.00	10.64	5		
105313-1806	15.94	12.50	13.14	6					105313-2806	15.94	12.50	13.14	6		
105313-1807	18.44	15.00	15.64	7					105313-2807	18.44	15.00	15.64	7		
105313-1808	20.94	17.50	18.14	8					105313-2808	20.94	17.50	18.14	8		

COLOR: BLACK



COLOR: NATURAL

FUNCTIONAL SYMBOLS	THIS DRAWING CONTAINS INFORMATION THAT IS PROPRIETARY TO MOLEX ELECTRONIC TECHNOLOGIES, LLC AND SHOULD NOT BE USED WITHOUT WRITTEN PERMISSION		CURRENT REV DESC:		molex						
	DIMENSION UNITS	SCALE									
$\nabla_A = 0$	mm	NTS	EC NO: 648137 DRWN: GLLI 2020/10/30 CHK'D: YXZHENG 2020/11/09 APPR: YXZHENG 2020/11/09		HEADER OF NANO-FIT, S/R, R/A POWER CONNECTOR						
$\nabla_B = 0$	GENERAL TOLERANCES (UNLESS SPECIFIED)										
$\nabla_C = 0$	ANGULAR TOL	± 3.0°			PRODUCT CUSTOMER DRAWING						
DIVISIONAL SYMBOLS	4 PLACES	±									
	3 PLACES	± 0.1	INITIAL REVISION: DRWN: GLLI 2019/09/25 APPR: YXZHENG 2020/03/16		DOCUMENT NUMBER	DOC TYPE	DOC PART	REVISION			
	2 PLACES	± 0.2			1053131000-SD		PSD	000	C		
	1 PLACE	± 0.3	DRAFT WHERE APPLICABLE MUST REMAIN WITHIN DIMENSIONS		THIRD ANGLE PROJECTION		DRAWING	SERIES	MATERIAL NUMBER	CUSTOMER	SHEET NUMBER
	0 PLACES	±			A3-SIZE		105313	GENERAL MARKET	3 OF 5		

DOCUMENT STATUS	P1	RELEASE DATE	2020/11/09	01:28:34
-----------------	----	--------------	------------	----------

		2 CKT	3 CKT	4 CKT	5 CKT
F	BLACK				
E	NATURAL				
		6 CKT	7 CKT	8 CKT	
D	BLACK				
C	NATURAL				
B					

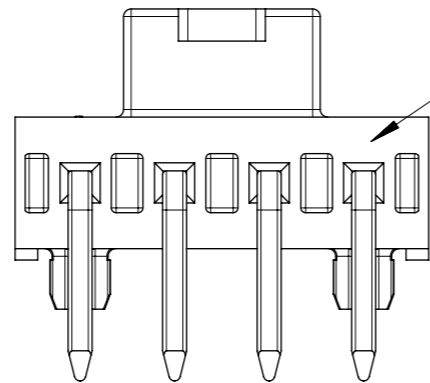
FUNCTIONAL SYMBOLS	THIS DRAWING CONTAINS INFORMATION THAT IS PROPRIETARY TO MOLEX ELECTRONIC TECHNOLOGIES, LLC AND SHOULD NOT BE USED WITHOUT WRITTEN PERMISSION		CURRENT REV DESC:		molex		
	$\nabla_A = 0$ $\nabla_F = 0$ $\nabla_V = 0$	DIMENSION UNITS: mm SCALE: NTS					
DIVISIONAL SYMBOLS	4 PLACES	\pm	EC NO: 648137	2020/10/30	PRODUCT CUSTOMER DRAWING		
	3 PLACES	± 0.1	DRWN: GLLI	2020/11/09			
	2 PLACES	± 0.2	CHK'D: YXZHENG	2020/11/09	DOCUMENT NUMBER		DOC TYPE
	1 PLACE	± 0.3	APPR: YXZHENG	2019/09/25	1053131000-SD		PSD
	0 PLACES	\pm	INITIAL REVISION:	2020/03/16	DOC PART	000	REVISION
DRAFT WHERE APPLICABLE MUST REMAIN WITHIN DIMENSIONS		THIRD ANGLE PROJECTION	DRAWING	SERIES	MATERIAL NUMBER	CUSTOMER	SHEET NUMBER
			A3-SIZE	105313	GENERAL MARKET		4 OF 5

NOTES FOR ALL PARTS

1> MATERIAL:
HOUSING: LCP, UL 94V-0; TERMINAL: BRASS.

2> PLATING FINISHED:
TERMINAL:
CONTACT AREA: a. REFLOW MATTE TIN 1.5MICRONS MIN;
b. GOLD 0.38 MICRONS MIN;
c. GOLD 0.76 MICRONS MIN.
SOLDER AREA: MATTE TIN 1.5 MICRONS MIN, UNDER PLATING NICKEL 1.25 MICRONS MIN.

3> PRODUCT SPECIFICATION: PS-105300-100.
4> PACKAGE: TAPE REEL, 1053131000-PK.
5> PRODUCT MATE WITH SERIES OF 105307(RECEPTACLE), 105300(CRIMP TERMINAL).
6> PARTS CONFORM TO CLASS 'B'REQUIREMENTS OF COSMETIC SPECIFICATION PS-45499-002.
7> DISCOLORATION IN THE BANDOLIER PIN CARRIER AREA OF THE PIN IS INHERENT TO THE PLATING PROCESS AND IS DUE TO THE MASKING DEFECT OF THE CARRIER, THIS DISCOLORATION IS IN A NON-FUNCTION AREA OF THE PIN AND WILL NOT AFFECT THE PERFORMANCE OF THE HEADER ASSEMBLY.



IF ANY NUMBER MARK APPEARS ON THIS SURFACE, PLEASE DISREGARD IT, IT IS NO ANY FUCTION AND NO ANY RELATION TO PIN NUMBER, IT IS JUST FOR MOLDING IDENDIFICATION.

FUNCTIONAL SYMBOLS	THIS DRAWING CONTAINS INFORMATION THAT IS PROPRIETARY TO MOLEX ELECTRONIC TECHNOLOGIES, LLC AND SHOULD NOT BE USED WITHOUT WRITTEN PERMISSION		CURRENT REV DESC:		molex			
	mm	NTS						
GENERAL TOLERANCES (UNLESS SPECIFIED)	ANGULAR TOL ± 3.0°		EC NO: 648137		HEADER OF NANO-FIT, S/R, R/A POWER CONNECTOR			
	4 PLACES	±	DRWN: GLLI	2020/10/30				
DIVISIONAL SYMBOLS	3 PLACES	± 0.1	CHK'D: YXZHENG	2020/11/09	PRODUCT CUSTOMER DRAWING			
	2 PLACES	± 0.2	APPR: YXZHENG	2020/11/09				
INITIAL REVISION:	1 PLACE	± 0.3	DRWN: GLLI	2019/09/25	DOCUMENT NUMBER	DOC TYPE	DOC PART	REVISION
	0 PLACES	±	APPR: YXZHENG	2020/03/16	1053131000-SD	PSD	000	C
DRAFT WHERE APPLICABLE MUST REMAIN WITHIN DIMENSIONS	THIRD ANGLE PROJECTION	DRAWING	SERIES	MATERIAL NUMBER	CUSTOMER	SHEET NUMBER		
		A3-SIZE	105313		GENERAL MARKET	5 OF 5		