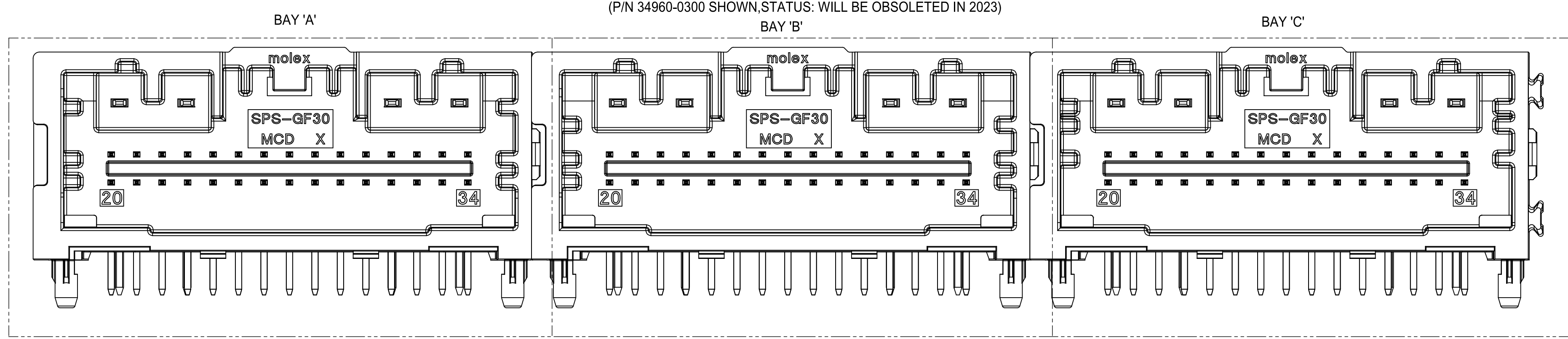


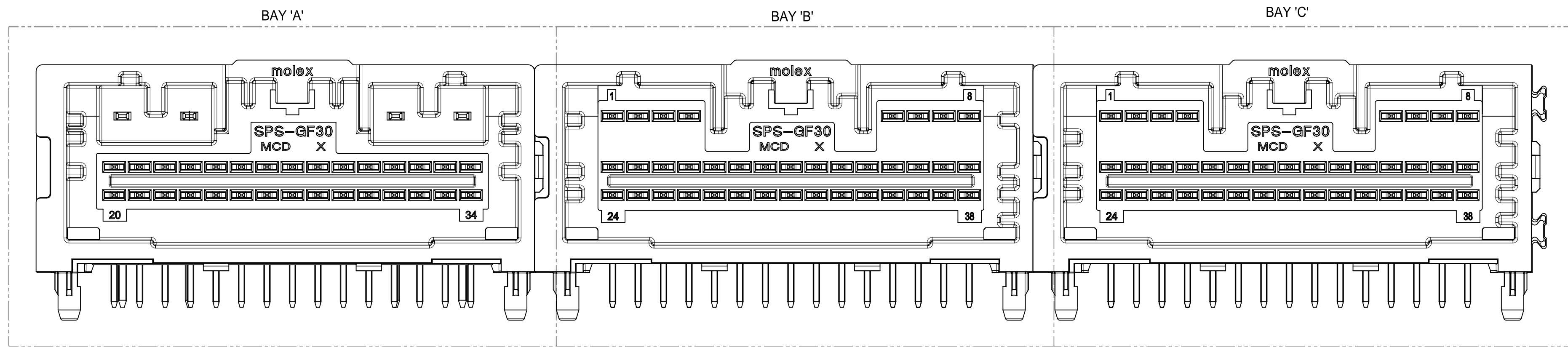
TABLE OF CONTENTS	
SHEET NO.	SHEET DESCRIPTION
1	NOTES, INSPECTION BALLOON NUMBER LOG, REV. COLUMN, 3-BAY MINI50 RIGHT ANGLE HEADER ASSEMBLY VIEW, NOMINAL DIMENSION RANGE
2	DIMENSIONAL CHART FOR MULTIBAY CONFIGURATION DEPOLULATED HEADER PIN CONFIGURATION
3	DETAIL DIMENSION VIEW

- NOTES: VALID UNLESS OTHERWISE SPECIFIED
- GENERAL:
 - PRODUCT SPECIFICATION: PS-34959-001
 - APPLICATION SPECIFICATION: AS-34959-001
 - PACKAGING SPECIFICATION PER MOLEX DRAWING PK-31302-070 (TRAY)
 - PACKAGING SPECIFICATION PER MOLEX DRAWING PK-31301-688 (TUBE)
 - TEST SUMMARY: TS-34961-001
 - COSMETIC SPECIFICATION: PS-45499-002 Class B
 - GEOMETRIC TOLERANCING: SEE DIN 16901 TABLE
 - MATES WITH: SD-34959-030
 - DESIGN: MATERIALS:
 - SHROUD (PLASTIC HOUSING): RESIN - SPS
 - PIN ALIGNMENT PLATE:
 - RESIN - SPS
 - COLOR: BLACK
 - 0.50mm BLADES:
 - BASE MATERIAL: BRASS
 - PLATING TYPE: AS NOTED
 - 1.20mm BLADES:
 - BASE MATERIAL: BRASS
 - PLATING TYPE: AS NOTED
 - PLATING REQUIREMENTS:
 - UNDERPLATING - OVERALL NICKEL
 - OVERPLATING - OVERALL REFLOW TIN
 - FOR DESCRIPTION OF INDIVIDUAL BAYS, REFER TO THE FOLLOWING SINGLE BAY DRAWINGS:
 - PART NUMBER: 34961-03XX, REFER TO SD-34961-030
 - PART NUMBER: 34961-13XX, REFER TO SD-34961-130

3-BAY MINI50 RIGHT ANGLE HEADER ASSEMBLY
 PIN INSERTION DIRCTION FROM PCB SIDE TO MATING SIDE
 (P/N 34960-0300 SHOWN, STATUS: WILL BE OBSOLETE IN 2023)



3-BAY MINI50 RIGHT ANGLE HEADER ASSEMBLY
 PIN INSERTION DIRCTION FROM MATING SIDE TO PCB SIDE
 (P/N 34960-0318 SHOWN, STATUS: SALEABLE)



B2	SHEET 1: ADDED VIEW OF 3BAY DIFFERENET PIN INSERTION DIRCTION'S HEADER SHEET 2: ADDED NEW PART NUMBER	CO-00000686
B1	1. SHEET 1: UPDATED NOTES INFORMATION. 2. SHEET 2: ADDED NEW PART NUMBER : 34960-0314 3. SHEET 3: UPDATED POST HOLE SIZE IN RECOMMENDED PCB LAYOUT 4. SHEET 3: UPDATED DIM 1: 2.75±0.50 WAS 2.73±0.50 5. SHEET 3: ADDED DIMENISON 2a, 2b, 3a 6. SHEET 3: REMOVED DIMENSION 2,4,5,7,8,9,10,11	640175
B	ADDED NEW 3_BAY PART NUMBER IN SHEET 1: 34960-0311/34960-0312	613433
REV	REV DESCRIPTION	ECN SAP NO.

INSPECTION BALLOON NUMBER LOG	
PER DRAWING REVISION:	B2
LAST BALLOON NUMBER USED:	6a
ADDED BALLOON NUMBERS:	
REMOVED BALLOON NUMBERS:	

DIN 16901	CODE LETTER	NOMINAL DIMENSION RANGE													
		OVER UP TO	0	1	3	6	10	15	22	30	40	53	70	90	120
PRECISION	A	±0.10	±0.12	±0.14	±0.16	±0.20	±0.22	±0.24	±0.26	±0.28	±0.31	±0.35	±0.40	±0.50	
ENGINEERING	B	±0.05	±0.06	±0.07	±0.08	±0.10	±0.12	±0.14	±0.16	±0.18	±0.21	±0.25	±0.30	±0.40	

A: FOR NON-MOLD RELATED DIMENSIONS (ACROSS PARTING LINE)
 B: FOR MOLD RELATED DIMENSIONS (WITHIN MOLD COMPONENTS)

FUNCTIONAL SYMBOLS	THIS DRAWING CONTAINS INFORMATION THAT IS PROPRIETARY TO MOLEX ELECTRONIC TECHNOLOGIES, LLC AND SHOULD NOT BE USED WITHOUT WRITTEN PERMISSION		CURRENT REV DESC: REFER TO REVISION COLUMN	
FA = 0	DIMENSION UNITS: mm	SCALE: 4:1		
FC = 0	GENERAL TOLERANCES (UNLESS SPECIFIED)		PHASE: Design Production	
FP = 0	ANGULAR TOL ± 1.0°		CO NO: CO-00000686	
4 PLACES ±			DRWN: Shanks Wu 2022-06-08	
3 PLACES ±			CHK'D: Ringo Hu 2022-06-28	
2 PLACES ±			APPR: Colin Zhang 2022-07-04	
1 PLACE ±			INITIAL REVISION:	
0 PLACES ±			DRWN: RFC_PLMIMP	
DRAFT WHERE APPLICABLE MUST REMAIN WITHIN DIMENSIONS		THIRD ANGLE PROJECTION	DRAWING: D-SIZE	SERIES: 34960
		MATERIAL NUMBER: SD-34960-0300		CUSTOMER: GENERAL MARKET
		DOCUMENT NUMBER: PSD 001		REVISION: B2
		SHEET NUMBER: 1 OF 3		

TABLE OF CONTENTS	
SHEET NO.	SHEET DESCRIPTION
2	DIMENSIONAL CHART FOR MULTIBAY CONFIGURATION DEPOLULATED HEADER PIN CONFIGURATION

DIMENSIONAL CHART FOR MULTIBAY CONFIGURATION:

3 BAY PART NUMBER (TUBE PKG)	3 BAY PART NUMBER (TRAY PKG)	BAY A					BAY B					BAY C					STATUS	
		P/N	INTERFACE TYPE	POL	COLOR	QTY OF PINS	P/N	INTERFACE TYPE	POL	COLOR	QTY OF PINS	P/N	INTERFACE TYPE	POL	COLOR	QTY OF PINS		
TBD	34960-0300	34961-0341	34CKT	B	GREY	34	34961-0342	34CKT	C	DK GREY	34	34961-0340	34CKT	A	BLACK	34	WILL BE OBSOLETE IN 2023	
TBD	34960-0301	34961-0380	38CKT	A	BLACK	38	34961-0381	38CKT	B	GREY	38	34961-0382	38CKT	C	DK GREY	38	OBSOLETE	
TBD	34960-0311	34961-0383	38CKT	UPDATED A	BLACK	38	34961-0384	38CKT	UPDATED B	GREY	38	34961-0385	38CKT	UPDATED C	DK GREY	38	WILL BE OBSOLETE IN 2023	
★	TBD	34960-0312	34961-1382	38CKT	UPDATED A	BLACK	30	34961-1383	38CKT	UPDATED B	GREY	30	34961-1384	38CKT	UPDATED C	DK GREY	30	WILL BE OBSOLETE IN 2023
TBD	34960-0313	34961-0340	34CKT	A	BLACK	34	34961-0384	38CKT	UPDATED B	GREY	38	34961-0385	38CKT	UPDATED C	DK GREY	38	WILL BE OBSOLETE IN 2023	
★	TBD	34960-0314	34961-1386	38CKT	UPDATED C	DK GREY	34	34961-1344	34CKT	A	BLACK	32	34961-1385	38CKT	UPDATED A	BLACK	14	WILL BE OBSOLETE IN 2023
(B2)	TBD	34960-0315	34961-0344	34CKT	B	GREY	34	34961-0345	34CKT	C	DK GREY	34	34961-0343	34CKT	A	BLACK	34	SALEABLE
(B2)	TBD	34960-0316	34961-0386	38CKT	UPDATED A	BLACK	38	34961-0387	38CKT	UPDATED B	GREY	38	34961-0388	38CKT	UPDATED C	DK GREY	38	SALEABLE
(B2)★	TBD	34960-0317	34961-1389	38CKT	UPDATED A	BLACK	30	34961-1390	38CKT	UPDATED B	GREY	30	34961-1391	38CKT	UPDATED C	DK GREY	30	SALEABLE
(B2)	TBD	34960-0318	34961-0343	34CKT	A	BLACK	34	34961-0387	38CKT	UPDATED B	GREY	38	34961-0388	38CKT	UPDATED C	DK GREY	38	SALEABLE
(B2)★	TBD	34960-0319	34961-1393	38CKT	UPDATED C	DK GREY	34	34961-1350	34CKT	A	BLACK	32	34961-1392	38CKT	UPDATED A	BLACK	14	SALEABLE

MARKED ★ ITEM'S COMPONENT NUMBER REFER TO DEPOLULATED HEADER PIN CONFIGURATION

(B2) DEPOLULATED HEADER PIN CONFIGURATION

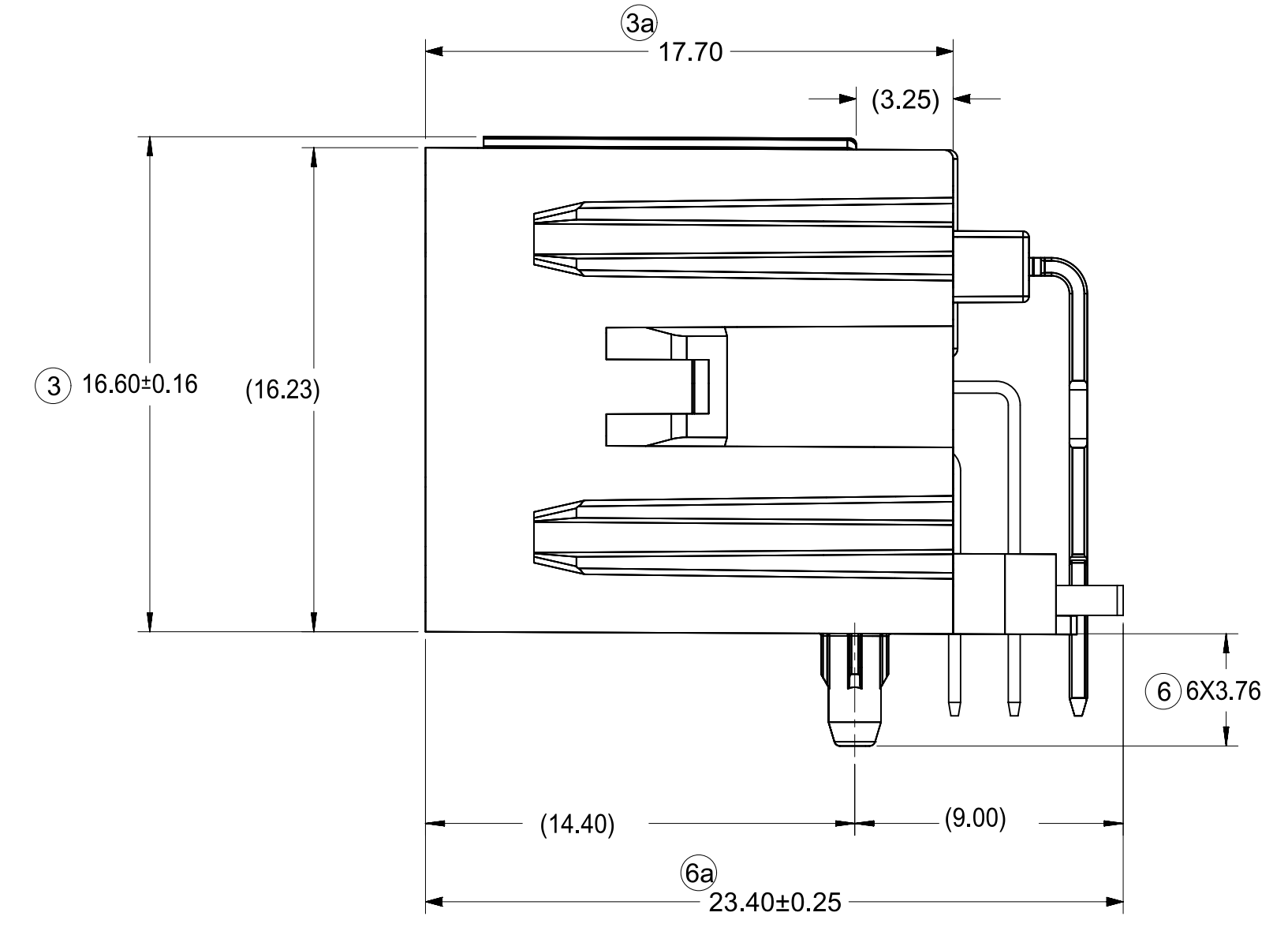
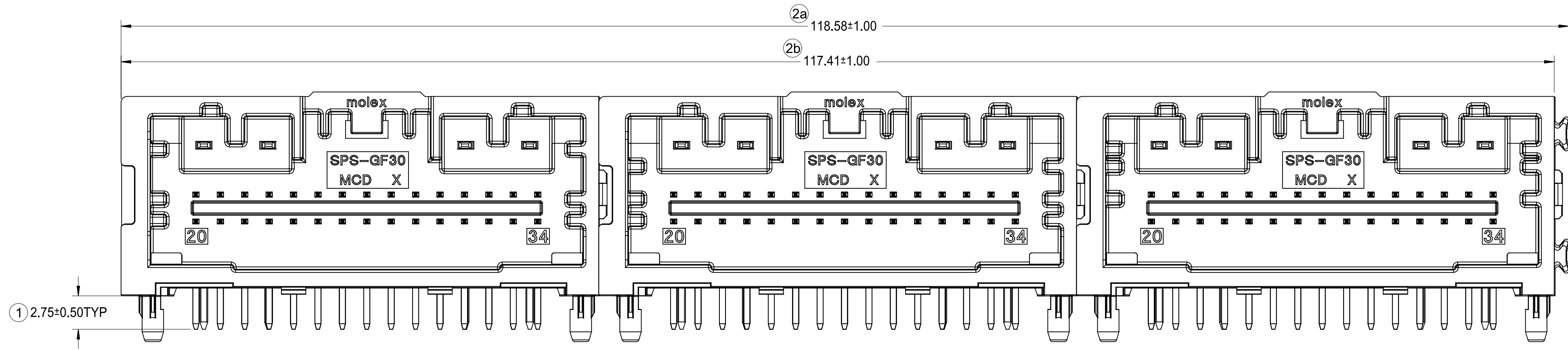
PART NUMBER	POL	COLOR	0.50mm PIN INSERTION DIRCTION	QTY OF PIN	PIN-OUT CONFIGURATION																							
					1	2	3	4	5	6	7	8	9	10	11	12	13	14	15	16	17	18	19	20	21	22	23	
					24	25	26	27	28	29	30	31	32	33	34	35	36	37	38									
34961-1382			PCB TO MATING	30	-	-	-	-	-	-	-	-	-	-	-	-	-	-	-	-	-	-	-	-	-			
34961-1389	UPDATED A	BLACK	MATING TO PCB	30	X	X	X	X	X	X	X	X	X	X	X	X	X	X	X	X	X	X	X	X	X			
34961-1383			PCB TO MATING	30	-	-	-	-	-	-	-	-	-	-	-	-	-	-	-	-	-	-	-	-	-			
34961-1390	UPDATED B	GREY	MATING TO PCB	30	X	X	X	X	X	X	X	X	X	X	X	X	X	X	X	X	X	X	X	X	X			
34961-1384			PCB TO MATING	30	-	-	-	-	-	-	-	-	-	-	-	-	-	-	-	-	-	-	-	-	-			
34961-1391	UPDATED C	DK GREY	MATING TO PCB	30	X	X	X	X	X	X	X	X	X	X	X	X	X	X	X	X	X	X	X	X	X			
34961-1385			PCB TO MATING	30	-	-	X	X	-	-	-	-	-	-	-	-	-	-	-	-	-	-	-	-	-			
34961-1392	UPDATED A	BLACK	MATING TO PCB	14	-	-	-	-	-	-	X	X	-	-	-	-	-	-	-	-	-	-	-	-	-			
34961-1386			PCB TO MATING	34	X	X	X	X	-	-	-	-	-	-	-	-	-	-	-	-	-	-	-	-	-			
34961-1393	UPDATED C	DK GREY	MATING TO PCB	34	X	-	-	X	X	X	X	X	X	X	X	X	X	X	X	X	X	X	-	-	X			

("X": WITH TERMINAL, "-": WITHOUT TERMINALS,CAVITY IS OPEN)

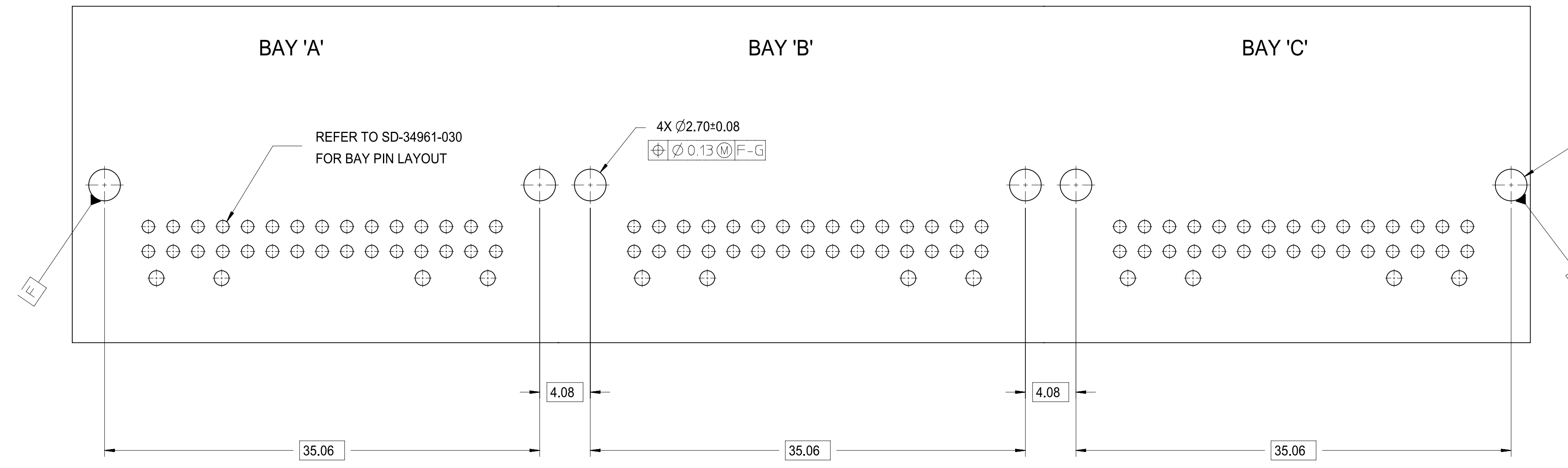
PART NUMBER	POL	COLOR	0.50mm PIN INSERTION DIRCTION	QTY OF PIN	PIN CONFIGURATION																							
					1	2	3	4	5	6	7	8	9	10	11	12	13	14	15	16	17	18	19					
					20	21	22	23	24	25	26	27	28	29	30	31	32	33	34									
34961-1344			PCB TO MATING	32	X	X	-	X	X	X	X	X	X	X	X	X	X	X	X	X	X	X	X	X	X			
34961-1350	A	BLACK	MATING TO PCB	32	X	X	X	X	X	X	X	X	X	X	X	X	X	X	X	X	X	X	X	X	X			

FUNCTIONAL SYMBOLS FA = 0 FC = 0 FP = 0	THIS DRAWING CONTAINS INFORMATION THAT IS PROPRIETARY TO MOLEX ELECTRONIC TECHNOLOGIES, LLC AND SHOULD NOT BE USED WITHOUT WRITTEN PERMISSION	SCALE 1:1	CURRENT REV DESC: REFER TO REVISION COLUMN					
	DIMENSION UNITS mm	GENERAL TOLERANCES (UNLESS SPECIFIED) ANGULAR TOL ± 1.0°	PHASE: Design Production CO NO: CO-00000686 DRWN: Shanks Wu CHK'D: Ringo Hu APPR: Colin Zhang		34 & 38 CKT MINI50 3-BAY R/A HEADER ASSEMBLY SALES DRAWING			
DIVISIONAL SYMBOLS	4 PLACES ±	3 PLACES ±	2 PLACES ±	1 PLACES ±	0 PLACES ±	INITIAL REVISION: DRWN: RFC_PLMIMP APPR:	2022-06-08 2022-06-28 2022-07-04	PRODUCT SALES DRAWING
	DRAFT WHERE APPLICABLE MUST REMAIN WITHIN DIMENSIONS		THIRD ANGLE PROJECTION	DRAWING D-SIZE	SERIES 34960	DOCUMENT NUMBER SD-34960-0300	DOC TYPE PSD	DOC PART 001
			MATERIAL NUMBER GENERAL MARKET	CUSTOMER GENERAL MARKET	SHEET NUMBER 2 OF 3			

TABLE OF CONTENTS	
SHEET NO.	SHEET DESCRIPTION
3	DETAIL DIMENSION VIEW



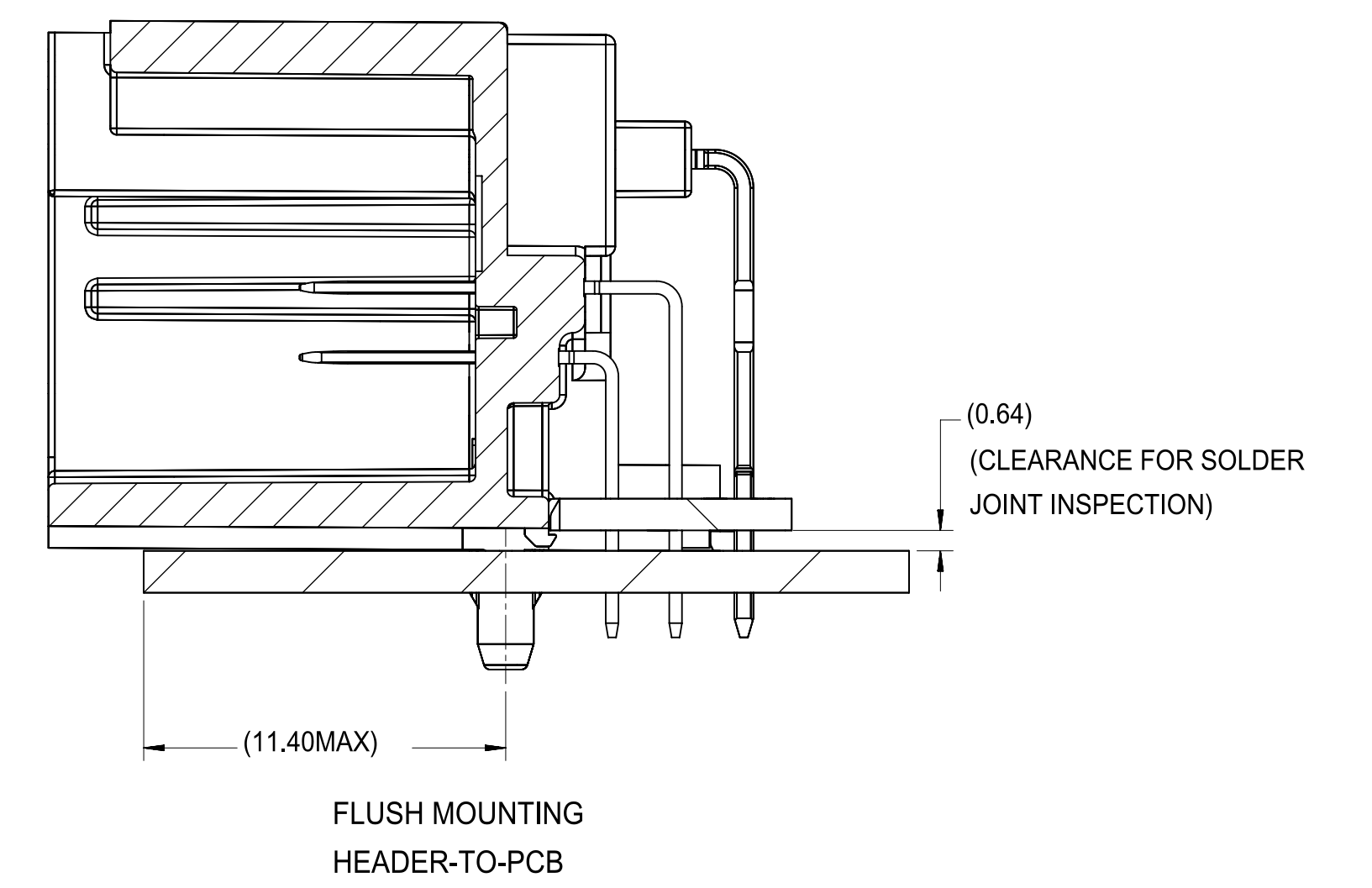
RECOMMENDED PCB LAYOUT



2X ØE±0.08
 $\text{Ø} \text{ } \text{Ø} 0.13 \text{ } \text{M} \text{ } \text{F-G}$
 REFER TO POST HOLE TABLE

POST HOLE TABLE:
 FOR DIM E:

PRESS FIT:	2.30
DROP IN:	2.85



FUNCTIONAL SYMBOLS FA = 0 FC = 0 FP = 0	THIS DRAWING CONTAINS INFORMATION THAT IS PROPRIETARY TO MOLEX ELECTRONIC TECHNOLOGIES, LLC AND SHOULD NOT BE USED WITHOUT WRITTEN PERMISSION	SCALE: 1:1	CURRENT REV DESC: REFER TO REVISION COLUMN	
	DIMENSION UNITS: mm	GENERAL TOLERANCES (UNLESS SPECIFIED): ANGULAR TOL ± 1.0°	PHASE: Design Production CO NO: CO-000000686 DRWN: Shanks Wu CHK'D: Ringo Hu APPR: Colin Zhang	2022-06-08 2022-06-28 2022-07-04
DIVISIONAL SYMBOLS	DRAFT WHERE APPLICABLE MUST REMAIN WITHIN DIMENSIONS	THIRD ANGLE PROJECTION	DRAWING: D-SIZE	SERIES: 34960
		MATERIAL NUMBER: SD-34960-0300		CUSTOMER: GENERAL MARKET
		DOCUMENT NUMBER: SD-34960-0300		DOC TYPE: PSD
		DOC PART: 001		REVISION: B2
		SHEET NUMBER: 3 OF 3		

molex

34 & 38 CKT MINI50 3-BAY
R/A HEADER ASSEMBLY SALES DRAWING

PRODUCT SALES DRAWING

SD-34960-0300 PSD 001 B2

GENERAL MARKET 3 OF 3