

A1G280 Series

Axial

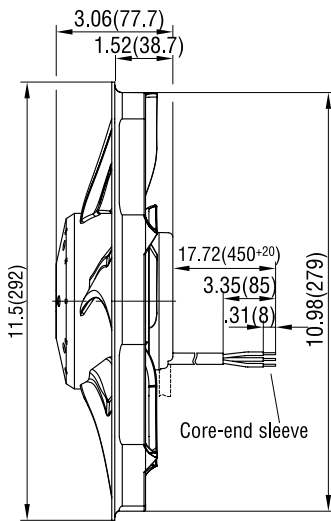


Ø 280mm

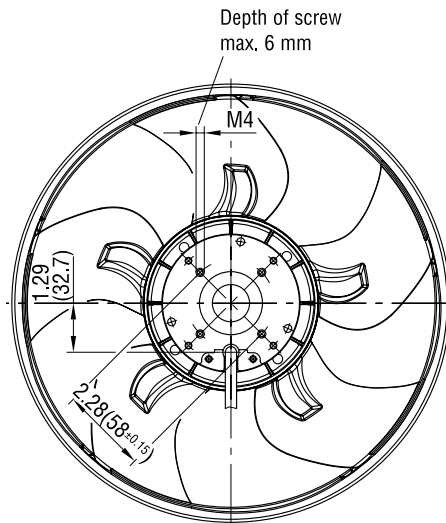
- Material: impeller made of plastic PA/SPS, color black
- Bearings: Maintenance-free ball bearings
- Cable exit: variable
- Technical features: control input 0-10 VDC / PWM, tach output
- Mounting position / condensate discharges: norm is rotor down with condensate discharges
- Motor protection: reverse battery and locked-rotor protection
- Insulation class: "B" according to EN 60335-1
- Direction of air flow: "V"
- Direction of rotation: clockwise as seen on rotor side

| Part Number | Curve | CFM @ D | VDC | Volt. Range | Power (W) | dBA | Max. Amb. Temp. C | Bearing Type | Speed (RPM) | Wgt. (lbs) |
|-------------------------------|-------|---------|------|-------------|-----------|-----|-------------------|--------------|-------------|------------|
| A1G280-AA79-11 ⁽¹⁾ | 1 | 1065 | 13.2 | 8-16 | 90 | 63 | 60 | Ball | 2350 | 3.53 |

⁽¹⁾12-V variant subject to alterations



"V" >



Pin configuration
 UB red
 Lin/PW yellow
 GND blue

| | n [RPM] | P _i [W] | L _{pA} [dBA] |
|-----|---------|--------------------|-----------------------|
| ① ① | 2350 | 90 | 63 |
| ① ② | 2330 | 89 | 63 |
| ① ③ | 2360 | 88 | 67 |
| ① ④ | 2340 | 90 | 69 |

Curve

