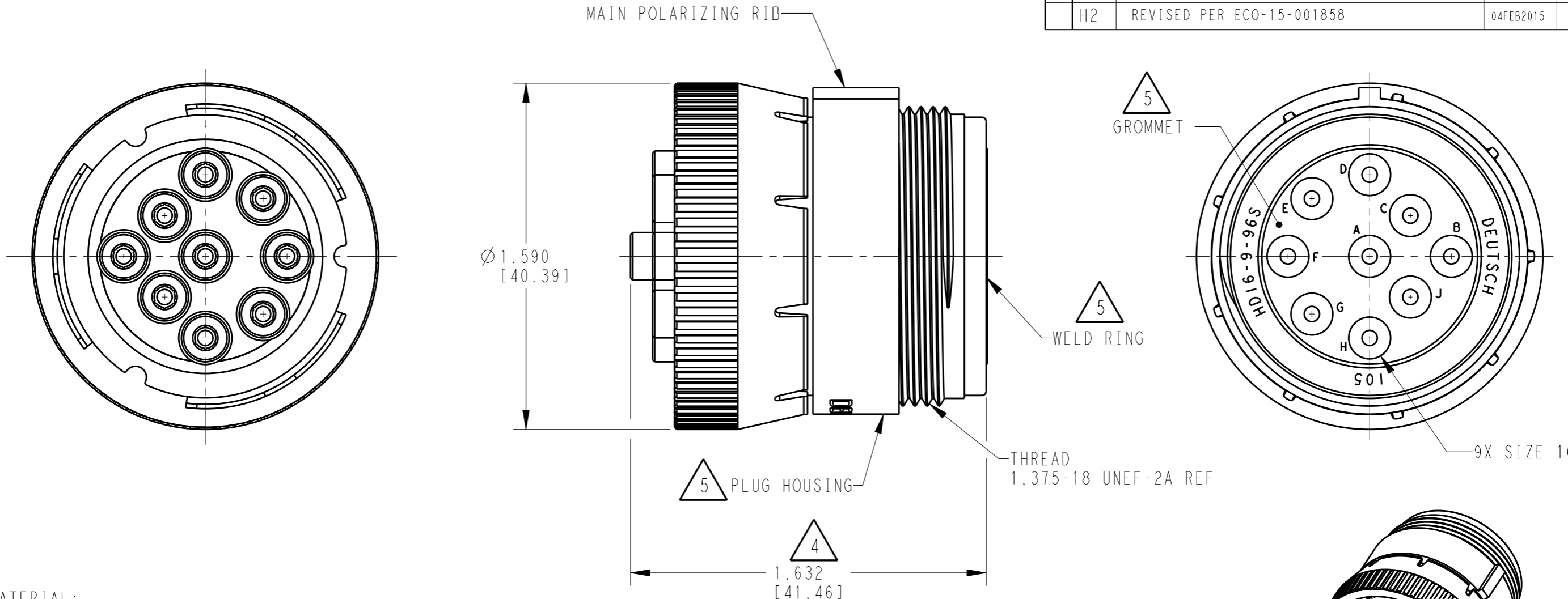


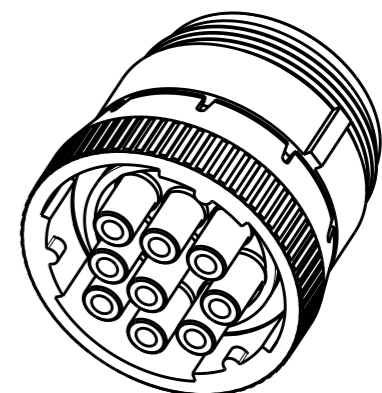
LOC	DIST	REVISIONS			
P	LTR	DESCRIPTION	DATE	DWN	APVD
	G	REVISED PER E.O. P21133	29SEP2011		RDR
	H	REVISED PER E.O. P21366	04JUN2012		RDR
	H1	REVISED PER ECO-14-002953	29JAN2014	PV	DM
	H2	REVISED PER ECO-15-001858	04FEB2015	JA	DM



- 5 MATERIAL:
 PLUG HOUSING AND WELD RING: PA 15%GF (GREY)
 GROMMET: SILICONE (RED)
- 4 OVERALL DIMENSION DOES NOT INCLUDE RUBBER GROMMET.
- 3. THIS PLUG MATES WITH FOLLOWING RECEPTACLE (X=SEAL TYPE, XXXX= ALL MODIFICATIONS).
 HD10-9-96PX-XXXX
 HD14-9-96PX-XXXX
- 2 SEE DRAWING 0425-015-0000 FOR CONTACT AND WIRE PERFORMANCE AND APPLICATION CHARACTERISTICS

1. SEE TABLE FOR USABLE WIRE RANGE AND INSULATION RANGE:

CONTACT SIZE	MINIMUM O.D.	MAXIMUM O.D.	WIRE RANGE [mm ²] 2
16	.100 [2.54]	.150 [3.81]	14-20 AWG [2.0-.50]



3D VIEW

NOTES:

THIS DRAWING IS A CONTROLLED DOCUMENT.		DWN R. OCHOA 14AUG1998		
DIMENSIONS: INCHES [mm]		CHK I. GRANTCHAROVA 18SEP2013		
TOLERANCES UNLESS OTHERWISE SPECIFIED:		APVD D. MEYER 19SEP2013	NAME PLUG CONNECTOR HD10 SERIES ARR. 9-96 COLOR: GREY	
0 PLC ±		PRODUCT SPEC 0425-015-0000	SIZE A3	
1 PLC ±		APPLICATION SPEC 0425-015-0000	CAGE CODE 4AFU8	DRAWING NO. HD16-9-96S
2 PLC ±		WEIGHT 37.50g	RESTRICTED TO -	
3 PLC ±.025 [0.64]		Customer Drawing	SCALE 2:1	SHEET 1 OF 1
4 PLC ±				REV H2
4 PLC ANGLES ± ±0° 30' 0"				
MATERIAL 5		FINISH N/A		