

## SUMMARY

### # Wires

Low voltage 3



*Image is for illustrative purpose only*

Series 2B  
Termination type Female crimp  
IP rating 50  
AWG wire size 18.00 - 14.00  
Cable Ø 9.30 - 9.90 mm  
Status active  
Matching parts [EGJ.2B.303.CYC](#)

### Download

[Request a quote](#)  
[Eplan](#)  
[Catalog](#)

## TECHNICAL DETAILS

### Mechanics

Shell Style/Model FG\*: Straight plug, cable collet  
Keying 2 keys (alpha=37.5, plug: female contacts, receptacle: male contacts)  
Housing Material Brass (chrome plated [SAE AMS 2460]) shell and collet nut, nickel plated [SAE AMS QQ N 290] brass latch sleeve and mid pieces  
Weight 29.50 g

### Performance

Configuration 2B.303 : 3 Low Voltage  
Insulator Y: PEEK for crimp contacts  
Rated Current 17 Amps

### Specifications

Contact Type: Crimp  
Contact Retention: 50 N  
Contact Dia.: 1.6 mm (0.063in)  
Bucket Dia.: 1.9 mm (0.075in)  
Min. Conductor: 1 mm<sup>2</sup> (AWG 18)  
Max. Conductor: 1.5 mm<sup>2</sup> (AWG 14)  
R (max): 3.5 mOhm  
Vtest (contact-shell): 1900 V (AC), 2700 V (DC)

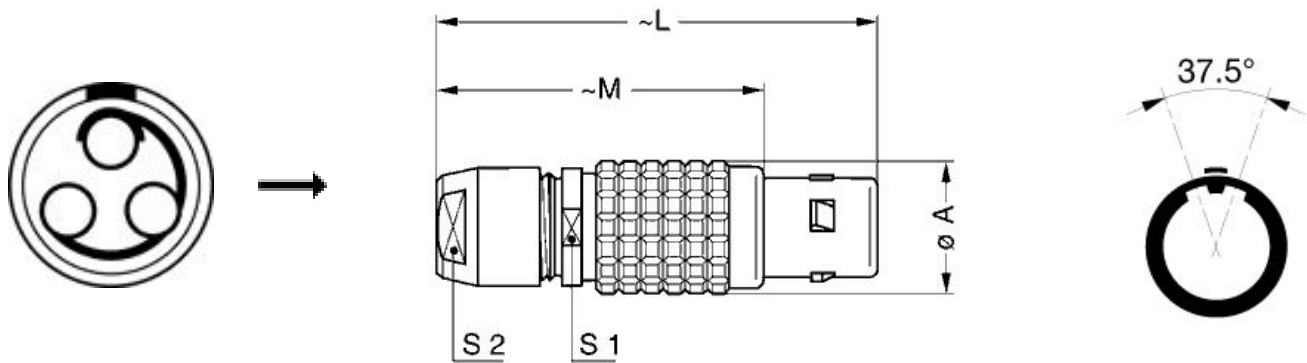
*LEMO products and services are provided "as is". LEMO makes no warranties or representations with regard to LEMO product & services or use of them, express, implied or statutory, including for accuracy, completeness, or security. The user is fully responsible for his products and applications using LEMO components.*

Vtest (contact-contact): 1900 V (AC), 2700 V (DC)

## Others

Endurance (Shell): 5000  
Temp (min / max): -55 °C / +250 °C  
Humidity (max): <=95% [at 60 deg C / 140 F]  
Vibration: 15 g [10 Hz - 2000 Hz]  
Shock Resistance: 100 g [ 6 ms]  
Climatical Category: 50/175/21  
Shielding (min): 75 dB (10 MHz)  
Shielding (min): 40 dB (1 GHz)  
Salt Spray Corrosion: >1000 hr

## DRAWINGS



## Dimensions

	A	L	M	S1	S2
mm.	15	50	38	13	12
in.	0,59	1,97	1,50	0,51	0,47

## RECOMMENDED BY LEMO

### Tools

LEMO products and services are provided "as is". LEMO makes no warranties or representations with regard to LEMO product & services or use of them, express, implied or statutory, including for accuracy, completeness, or security. The user is fully responsible for his products and applications using LEMO components.

Crimp Tool: [DPC.91.101.A](#)  
Crimp settings: AWG/Selector = 14-16-18/7-6-5  
Positionner: [DCE.91.162.BVCM](#)  
Extractor: [DCC.16.25B.LAG](#)  
Replacement contact: EGG.2B.670.ZZM  
Spanner wrench: [DCD.2B.ZZZ.PA120](#)

*LEMO products and services are provided "as is". LEMO makes no warranties or representations with regard to LEMO product & services or use of them, express, implied or statutory, including for accuracy, completeness, or security. The user is fully responsible for his products and applications using LEMO components.*