

# 4Mb EXCELON™ LP Ferroelectric RAM (F-RAM)

Serial (SPI), 512K × 8, inrush current control, industrial

## Features

- 4-Mbit ferroelectric random access memory (EXCELON™ LP F-RAM) logically organized as 512K × 8
  - Virtually unlimited endurance 1000 trillion ( $10^{15}$ ) read/writes
  - 151-year data retention (See “[Data retention and endurance](#)” on page 26)
  - Infineon instant non-volatile write technology
  - Advanced high-reliability ferroelectric process
- Fast serial peripheral interface (SPI)
  - Up to 20 MHz frequency
  - Supports SPI mode 0 (0, 0) and mode 3 (1, 1)
- Sophisticated write protection scheme
  - Hardware protection using the write protect ( $\overline{WP}$ ) pin
  - Software protection using write disable (WRDI) instruction
  - Software block protection for 1/4, 1/2, or entire array
- Device ID and serial number
  - Manufacturer ID and product ID
  - Unique device ID
  - Serial number
- Dedicated 256-byte special sector EXCELON™ LP F-RAM
  - Dedicated special sector write and read
  - Stored content can survive up to three standard reflow soldering cycles
- Low-power consumption
  - 1.2 mA (typ) active current at 20 MHz
  - 2.3  $\mu$ A (typ) standby current
  - 0.70  $\mu$ A (typ) deep power down mode current
  - 0.1  $\mu$ A (typ) hibernate mode current
  - 1.5 mA (typ) inrush current during power up
- Low-voltage operation
  - CY15V104QI:  $V_{DD} = 1.71$  V to 1.89 V
  - CY15B104QI:  $V_{DD} = 1.8$  V to 3.6 V
- Commercial and industrial operating temperature
  - Commercial operating temperature: 0°C to +70°C
  - Industrial operating temperature: -40°C to +85°C
- Packages
  - 8-pin grid-array quad flat no-lead (GQFN) package (NRND)<sup>[1]</sup>
  - 8-pin ultra-thin fine-pitch land grid array (UFLGA) package
- Restriction of hazardous substances (RoHS) compliant

## Note

1. NRND - Not Recommended for New Designs

## Functional description

The EXCELON™ LP F-RAM CY15X104QI is a low power, 4-Mbit nonvolatile memory employing an advanced ferroelectric process. A ferroelectric random access memory or EXCELON™ LP F-RAM is nonvolatile and performs reads and writes similar to a RAM. It provides reliable data retention for 151 years while eliminating the complexities, overhead, and system-level reliability problems caused by serial flash, EEPROM, and other nonvolatile memories.

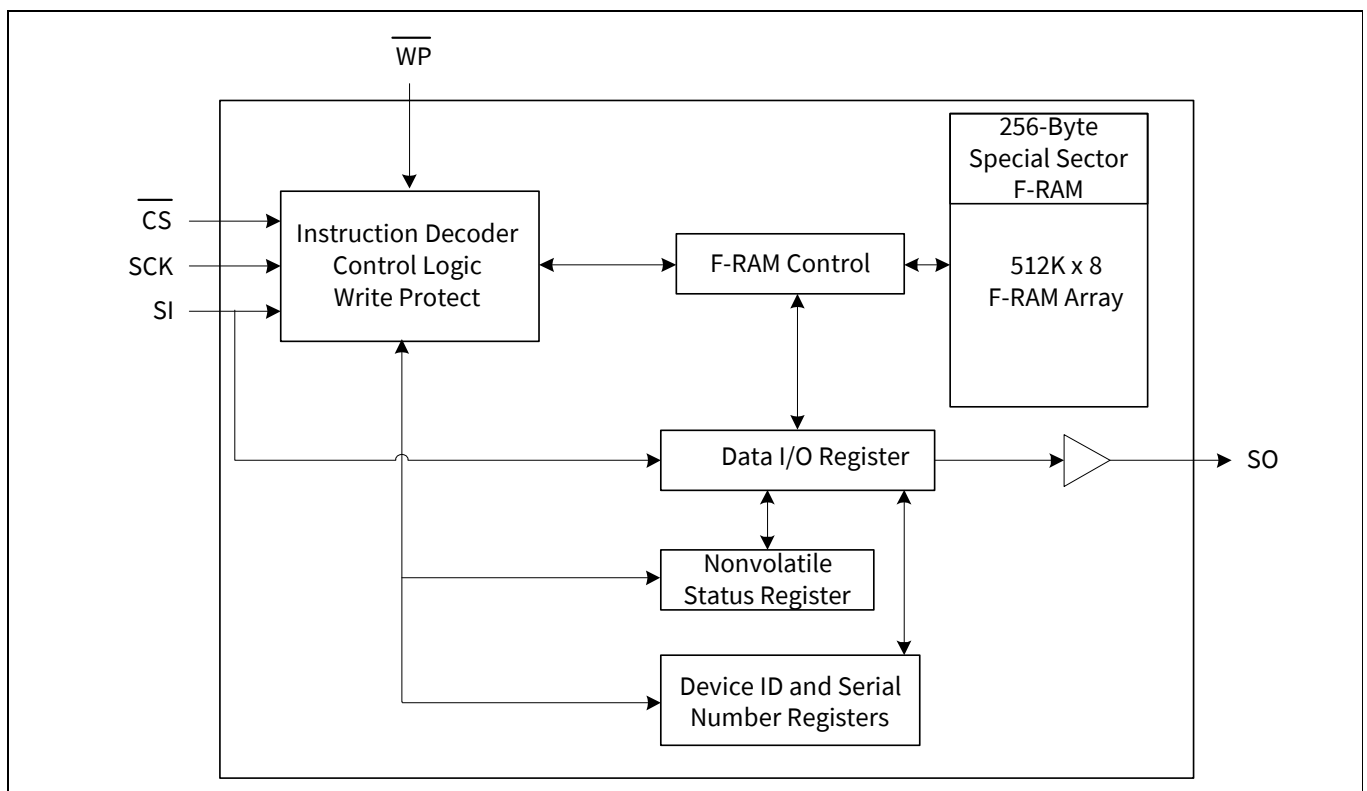
Unlike serial flash and EEPROM, the CY15X104QI performs write operations at bus speed. No write delays are incurred. Data is written to the memory array immediately after each byte is successfully transferred to the device. The next bus cycle can commence without the need for data polling. In addition, the product offers substantial write endurance compared to other nonvolatile memories. The CY15X104QI is capable of supporting  $10^{15}$  read/write cycles, or 1000 million times more write cycles than EEPROM.

These capabilities make the CY15X104QI ideal for nonvolatile memory applications, requiring frequent or rapid writes. Examples range from data collection, where the number of write cycles may be critical, to demanding industrial controls where the long write time of serial flash or EEPROM can cause data loss.

The CY15X104QI provides substantial benefits to users of serial EEPROM or flash as a hardware drop-in replacement. The CY15X104QI uses the high-speed SPI bus, which enhances the high-speed write capability of EXCELON™ LP F-RAM technology. The device incorporates a read-only device ID and unique ID features, which allow the host to determine the manufacturer, product density, product revision, and unique ID for each part. The device also provides a writable, 8-byte serial number registers, which can be used to identify a specific board or a system.

For a complete list of related resources, [click here](#).

## Logic block diagram

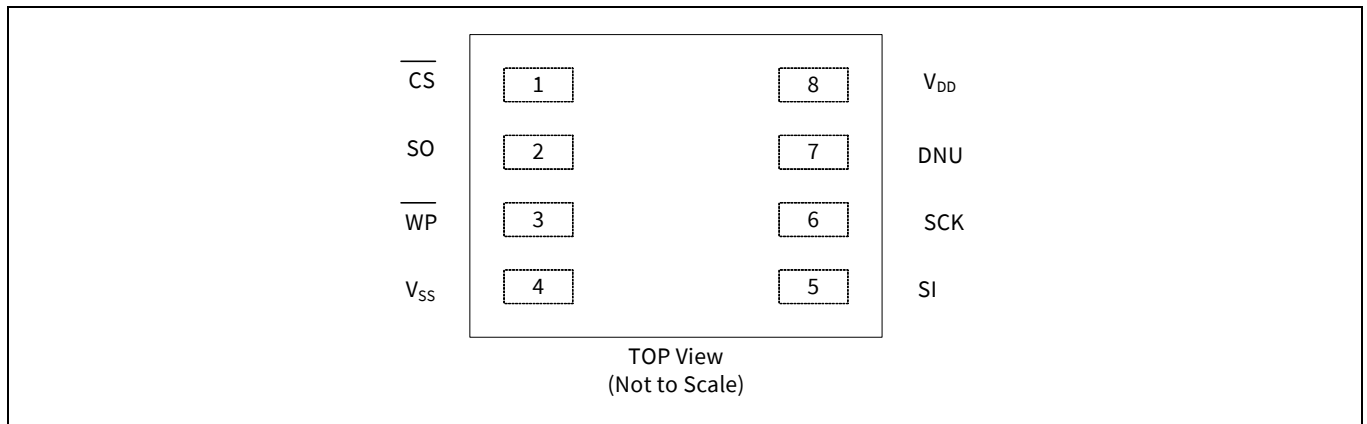


## Table of contents

<b>Features</b> .....	<b>1</b>
<b>Functional description</b> .....	<b>2</b>
<b>Logic block diagram</b> .....	<b>2</b>
<b>Table of contents</b> .....	<b>3</b>
<b>Pinout</b> .....	<b>4</b>
<b>Pin definitions</b> .....	<b>5</b>
<b>Functional overview</b> .....	<b>6</b>
Memory architecture .....	6
SPI bus .....	6
SPI overview .....	6
Terms used in SPI protocol .....	7
SPI master .....	7
SPI slave .....	7
Chip select (CS) .....	7
Serial clock (SCK) .....	7
Data transmission (SI/SO) .....	8
Most significant bit (MSb) .....	8
Serial opcode .....	8
Invalid opcode .....	9
Status register .....	9
SPI modes .....	9
Power-up to first access .....	9
<b>Functional description</b> .....	<b>10</b>
Command structure .....	10
Write enable control commands .....	11
Register access commands .....	12
Memory operation .....	13
Memory write operation commands .....	14
Memory read commands .....	14
Special sector memory access commands .....	16
Identification and serial number commands .....	17
Low power mode commands .....	19
<b>Maximum ratings</b> .....	<b>21</b>
<b>Operating range</b> .....	<b>22</b>
<b>DC electrical characteristics</b> .....	<b>23</b>
<b>Data retention and endurance</b> .....	<b>26</b>
<b>Capacitance</b> .....	<b>27</b>
<b>Thermal resistance</b> .....	<b>28</b>
<b>AC test conditions</b> .....	<b>29</b>
<b>AC switching characteristics</b> .....	<b>30</b>
<b>Power cycle timing</b> .....	<b>32</b>
<b>Ordering information</b> .....	<b>33</b>
Ordering code definitions .....	33
<b>Package diagrams</b> .....	<b>34</b>
<b>Acronyms</b> .....	<b>36</b>
<b>Document conventions</b> .....	<b>37</b>
Units of measure .....	37
<b>Revision history</b> .....	<b>38</b>

Pinout

## 1 Pinout



**Figure 1** 8-pin QFN/UFLGA pinout

## 2 Pin definitions

**Table 1 Pin definitions**

Pin name	I/O type	Description
$\overline{\text{CS}}$	Input	<b>Chip select.</b> This active LOW input activates the device. When HIGH, the device enters low-power standby mode, ignores other inputs, and the output is tristated. When LOW, the device internally activates the SCK signal. A falling edge on $\overline{\text{CS}}$ must occur before every opcode.
SCK	Input	<b>Serial clock.</b> All I/O activity is synchronized to the serial clock. Inputs are latched on the rising edge and outputs occur on the falling edge of the serial clock. The clock frequency may be any value between 0 and 20 MHz and may be interrupted at any time due to its synchronous behavior.
SI <sup>[2]</sup>	Input	<b>Serial input.</b> All data is input to the device on this pin. The pin is sampled on the rising edge of SCK and is ignored at other times. It should always be driven to a valid logic level to meet the power ( $I_{\text{DD}}$ ) specifications.
SO <sup>[2]</sup>	Output	<b>Serial output.</b> This is the data output pin. It is driven during a read and remains tristated at all other times. Data transitions are driven on the falling edge of the serial clock SCK.
$\overline{\text{WP}}$	Input	<b>Write protect.</b> This active LOW pin prevents write operation to the status register when WPEN bit in the status register is set to '1'. This is critical because other write protection features are controlled through the status register. A complete explanation of write protection is provided in <a href="#">Table 3</a> and <a href="#">Table 6</a> . This pin must be tied to $V_{\text{DD}}$ if not used.
DNU	Do not use	<b>Do not use.</b> Either leave this pin floating (not connected on the board) or tie to $V_{\text{DD}}$ .
$V_{\text{SS}}$	Power supply	Ground for the device. Must be connected to the ground of the system.
$V_{\text{DD}}$	Power supply	Power supply input to the device.

### Note

2. SI may be connected to SO for a single pin data interface.

## 3 Functional overview

The CY15X104QI is a serial EXCELON™ LP F-RAM memory. The memory array is logically organized as 524,288 × 8 bits and is accessed using an industry-standard serial peripheral interface (SPI) bus. The functional operation of the EXCELON™ LP F-RAM is similar to serial flash and serial EEPROMs. The major difference between the CY15X104QI and a serial flash or EEPROM with the same pinout is the EXCELON™ LP F-RAM superior write performance, high endurance, and low power consumption.

### 3.1 Memory architecture

When accessing the CY15X104QI, the user addresses 512K locations of eight data bits each. These eight data bits are shifted in or out serially. The addresses are accessed using the SPI protocol, which includes a chip select (to permit multiple devices on the bus), an opcode, and a three-byte address. The upper four bits of the address range are 'don't care' values. The complete address of 20 bits specifies each byte address uniquely.

Most functions of the CY15X104QI are either controlled by the SPI interface or handled by on-board circuitry. The access time for the memory operation is essentially zero, beyond the time needed for the serial protocol. That is, the memory is read or written at the speed of the SPI bus. Unlike a serial flash or EEPROM, it is not necessary to poll the device for a ready condition because writes occur at bus speed. By the time a new bus transaction can be shifted into the device, a write operation is complete. This is explained in more detail in the interface section.

### 3.2 SPI bus

The CY15X104QI is an SPI slave device and operates at speeds of up to 20 MHz. This high-speed serial bus provides high-performance serial communication to an SPI master. Many common microcontrollers have hardware SPI ports allowing a direct interface. It is simple to emulate the port using ordinary port pins for microcontrollers that do not have this feature. The CY15X104QI operates in SPI modes 0 and 3.

#### 3.2.1 SPI overview

The SPI is a four-pin interface with chip select ( $\overline{CS}$ ), serial input (SI), serial output (SO), and serial clock (SCK) pins. The SPI is a synchronous serial interface, which uses clock and data pins for memory access and supports multiple devices on the data bus. A device on the SPI bus is activated using the  $\overline{CS}$  pin.

The relationship between chip select, clock, and data is dictated by the SPI mode. This device supports SPI modes 0 and 3. In both of these modes, data is clocked into the EXCELON™ LP F-RAM on the rising edge of SCK starting from the first rising edge after  $\overline{CS}$  goes active.

The SPI protocol is controlled by opcodes. These opcodes specify the commands from the bus master to the slave device. After  $\overline{CS}$  is activated, the first byte transferred from the bus master is the opcode. Following the opcode, any addresses and data are then transferred. The  $\overline{CS}$  must go inactive after an operation is complete and before a new opcode can be issued.

### **3.3 Terms used in SPI protocol**

The commonly used terms in the SPI protocol are as follows.

#### **3.3.1 SPI master**

The SPI master device controls the operations on the SPI bus. An SPI bus may have only one master with one or more slave devices. All the slaves share the same SPI bus lines and the master may select any of the slave devices using the  $\overline{CS}$  pin. All of the operations must be initiated by the master activating a slave device by pulling the  $\overline{CS}$  pin of the slave LOW. The master also generates the SCK and all the data transmission on SI and SO lines are synchronized with this clock.

#### **3.3.2 SPI slave**

The SPI slave device is activated by the master through the chip select line. A slave device gets the SCK as an input from the SPI master and all the communication is synchronized with this clock. An SPI slave never initiates a communication on the SPI bus and acts only on the instruction from the master.

The CY15X104QI operates as an SPI slave and may share the SPI bus with other SPI slave devices.

#### **3.3.3 Chip select ( $\overline{CS}$ )**

To select any slave device, the master needs to pull down the corresponding  $\overline{CS}$  pin. Any instruction can be issued to a slave device only while the  $\overline{CS}$  pin is LOW. When the device is not selected, data through the SI pin is ignored and the serial output pin (SO) remains in a high-impedance state.

**Note:** A new instruction must begin with the falling edge of  $\overline{CS}$ . Therefore, only one opcode can be issued for each active chip select cycle.

#### **3.3.4 Serial clock (SCK)**

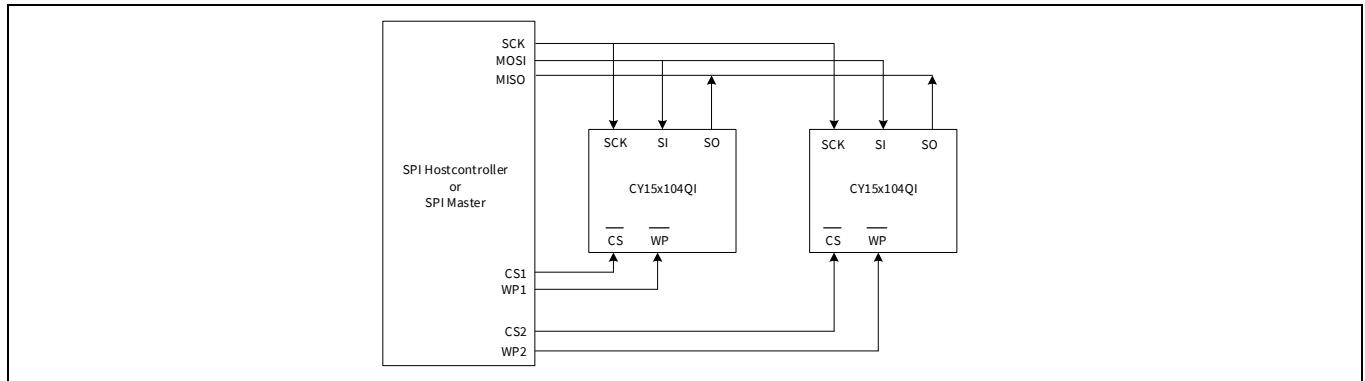
The serial clock is generated by the SPI master and the communication is synchronized with this clock after  $\overline{CS}$  goes LOW.

The CY15X104QI supports SPI modes 0 and 3 for data communication. In both of these modes, the inputs are latched by the slave device on the rising edge of SCK and outputs are issued on the falling edge. Therefore, the first rising edge of SCK signifies the arrival of the first most significant bit (MSb) of an SPI instruction on the SI pin. Further, all data inputs and outputs are synchronized with SCK.

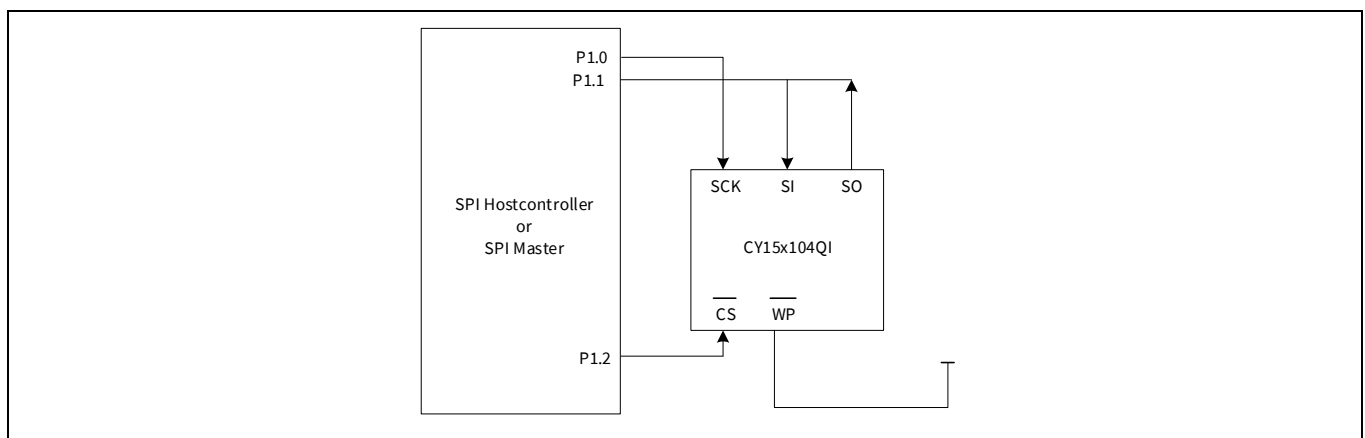
### 3.3.5 Data transmission (SI/SO)

The SPI data bus consists of two lines, SI and SO, for serial data communication. SI is also referred to as Master Out Slave In (MOSI) and SO is referred to as Master In Slave Out (MISO). The master issues instructions to the slave through the SI pin, while the slave responds through the SO pin. Multiple slave devices may share the SI and SO lines as described earlier.

The CY15X104QI has two separate pins for SI and SO, which can be connected with the master as shown in **Figure 2**. For a microcontroller that has no dedicated SPI bus, a general-purpose port may be used. To reduce hardware resources on the controller, it is possible to connect the two data pins (SI, SO) together and tie off (HIGH) the WP pin. **Figure 3** shows such a configuration, which uses only three pins.



**Figure 2 System configuration with SPI port**



**Figure 3 System configuration without SPI port**

### 3.3.6 Most significant bit (MSb)

The SPI protocol requires that the first bit to be transmitted is the MSb. This is valid for both address and data transmission.

The 4-Mbit serial EXCELON™ LP F-RAM requires a 3-byte address for any read or write operation. Because the address is only 19 bits, the first five bits, which are fed in are ignored by the device. Although these four bits are ‘don’t care’, it is recommended that these bits be set to 0s to enable seamless transition to higher memory densities.

### 3.3.7 Serial opcode

After the slave device is selected with  $\overline{CS}$  going LOW, the first byte received is treated as the opcode for the intended operation. CY15X104QI uses the standard opcodes for memory accesses.



### 3.3.8 Invalid opcode

If an invalid opcode is received, the opcode is ignored and the device ignores any additional serial data on the SI pin until the next falling edge of CS, and the SO pin remains tristated.

### 3.3.9 Status register

CY15X104QI has an 8-bit status register. The bits in the status register are used to configure the device. These bits are described in [Table 4](#).

## 3.4 SPI modes

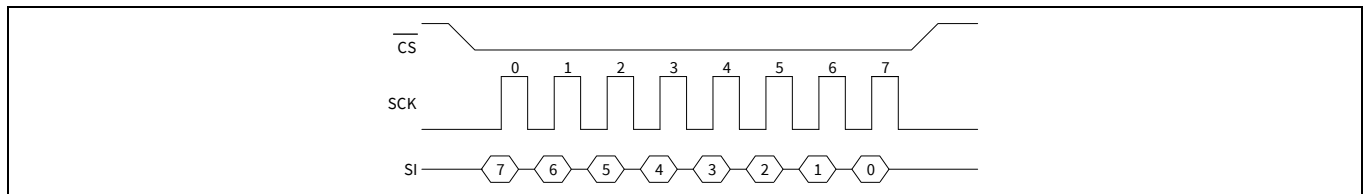
CY15X104QI may be driven by a microcontroller with its SPI peripheral running in either of the following two modes:

- SPI Mode 0 (CPOL = 0, CPHA = 0)
- SPI Mode 3 (CPOL = 1, CPHA = 1)

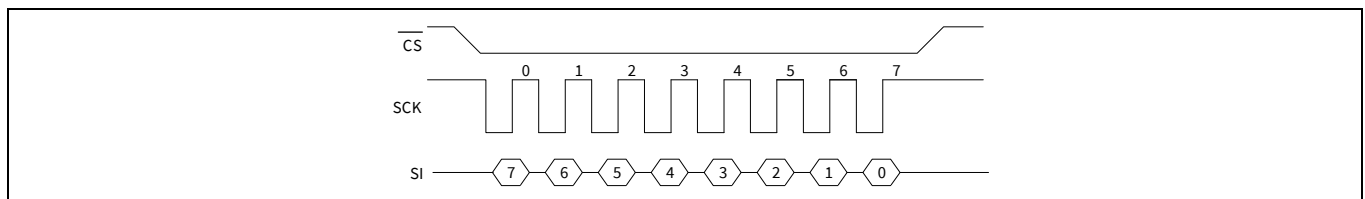
For both these modes, the input data is latched in on the rising edge of SCK starting from the first rising edge after CS goes active. If the clock starts from a HIGH state (in mode 3), the first rising edge after the clock toggles is considered. The output data is available on the falling edge of SCK. The two SPI modes are shown in [Figure 4](#) and [Figure 5](#). The status of the clock when the bus master is not transferring data is:

- SCK remains at 0 for mode 0
- SCK remains at 1 for mode 3

The device detects the SPI mode from the status of the SCK pin when the device is selected by bringing the  $\overline{\text{CS}}$  pin LOW. If the SCK pin is LOW when the device is selected, SPI Mode 0 is assumed and if the SCK pin is HIGH, it works in SPI mode 3.



**Figure 4 SPI mode 0**



**Figure 5 SPI mode 3**

## 3.5 Power-up to first access

The CY15X104QI is not accessible for a  $t_{PU}$  time after power-up. Users must comply with the timing parameter,  $t_{PU}$ , which is the minimum time from  $V_{DD}$  (min) to the first CS LOW. Refer to [“Power cycle timing”](#) on page 32 for details.

## 4 Functional description

### 4.1 Command structure

There are 15 commands, called opcodes, that can be issued by the bus master to the CY15X104QI (see [Table 2](#)). These opcodes control the functions performed by the memory.

**Table 2 Opcode commands**

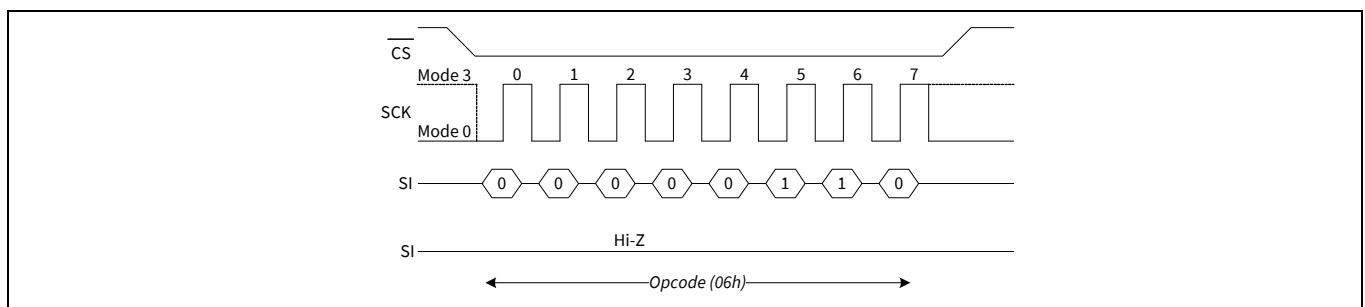
Name	Description	Opcode	
		Hex	Binary
<b>Write enable control</b>			
WREN	Set write enable latch	06h	0000 0110b
WRDI	Reset write enable latch	04h	0000 0100b
<b>Register access</b>			
RDSR	Read Status Register	05h	0000 0101b
WRSR	Write Status Register	01h	0000 0001b
<b>Memory write</b>			
WRITE	Write memory data	02h	0000 0010b
<b>Memory read</b>			
READ	Read memory data	03h	0000 0011b
FSTRD	Fast read memory data	0Bh	0000 1011b
<b>Special sector memory access</b>			
SSWR	Special sector write	42h	0100 0010b
SSRD	Special sector read	4Bh	0100 1011b
<b>Identification and serial number</b>			
RDID	Read device ID	9Fh	1001 1111b
RUID	Read unique ID	4Ch	0100 1100b
WRSN	Write serial number	C2h	1100 0010b
RDSN	Read serial number	C3h	11000 011b
<b>Low power modes</b>			
DPD	Enter deep power-down	BAh	1011 1010b
HBN	Enter hibernate mode	B9h	1011 1001b
Reserved	Reserved	Unused opcodes are reserved for future use.	

## 4.1.1 Write enable control commands

### 4.1.1.1 Set write enable latch (WREN, 06h)

The CY15X104QI will power up with writes disabled. The WREN command must be issued before any write operation. Sending the WREN opcode allows the user to issue subsequent opcodes for write operations. These include writing to the status register (WRSR), the memory (WRITE), special sector (SSWR), and write serial number (WRSN).

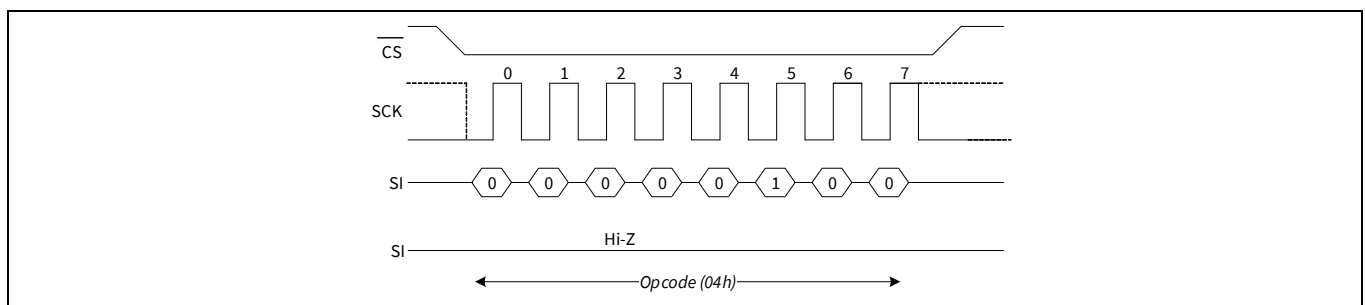
Sending the WREN opcode causes the internal write enable Latch to be set. A flag bit in the status register, called WEL, indicates the state of the latch. WEL = '1' indicates that writes are permitted. Attempting to write the WEL bit in the Status Register has no effect on the state of this bit - only the WREN opcode can set this bit. The WEL bit will be automatically cleared on the rising edge of  $\overline{CS}$  following a WRDI, a WRSR, a WRITE, a SSWR, or a WRSN operation. This prevents further writes to the status register or the EXCELON™ LP F-RAM array without another WREN command. **Figure 6** illustrates the WREN command bus configuration.



**Figure 6 WREN bus configuration**

### 4.1.1.2 Reset write enable latch (WRDI, 04h)

The WRDI command disables all write activity by clearing the write enable latch. Verify that the writes are disabled by reading the WEL bit in the status register and verify that WEL is equal to '0'. **Figure 7** illustrates the WRDI command bus configuration.



**Figure 7 WRDI bus configuration**

## 4.1.2 Register access commands

### 4.1.2.1 Status register and write protection

The write protection features of the CY15X104QI are multi-tiered and are enabled through the status register. The status register is organized as follows. (The default value shipped from the factory for WEL, BP0, BP1, bits 4–5, and WPEN is ‘0’, and for bit 6 is ‘1’.)

**Table 3 Status register**

Bit 7	Bit 6	Bit 5	Bit 4	Bit 3	Bit 2	Bit 1	Bit 0
WPEN (0)	X (1)	X (0)	X (0)	BP1 (0)	BP0 (0)	WEL (0)	X (0)

**Table 4 Status register bit definition**

Bit	Definition	Description
Bit 0	Don't care	This bit is non-writable and always returns ‘0’ upon read.
Bit 1 (WEL)	Write enable	WEL indicates if the device is write enabled. This bit defaults to ‘0’ (disabled) on power-up. WEL = ‘1’ --> Write enabled WEL = ‘0’ --> Write disabled
Bit 2 (BP0)	Block protect bit ‘0’	Used for block protection. For details, see <a href="#">Table 5</a> .
Bit 3 (BP1)	Block protect bit ‘1’	Used for block protection. For details, see <a href="#">Table 5</a> .
Bit 4–5	Don't care	These bits are non-writable and always return ‘0’ upon read.
Bit 6	Don't care	This bit is non-writable and always returns ‘1’ upon read.
Bit 7 (WPEN)	Write protect enable bit	Used to enable the function of write protect pin ( $\overline{WP}$ ). For details, see <a href="#">Table 6</a> .

Bits 0 and 4–5 are fixed at ‘0’ and bit 6 is fixed at ‘1’; none of these bits can be modified. Note that bit 0 (“ready or write in progress” bit in serial flash and EEPROM) is unnecessary, as the EXCELON™ LP F-RAM writes in real-time and is never busy, so it reads out as a ‘0’. An exception to this is when the device is waking up either from **“Deep power-down mode (DPD, BAh)”** on page 19 or **“Hibernate mode (HBN, B9h)”** on page 20. The BP1 and BP0 control the software write-protection features and are nonvolatile bits. The WEL flag indicates the state of the Write Enable Latch. Attempting to directly write the WEL bit in the Status Register has no effect on its state. This bit is internally set and cleared via the WREN and WRDI commands, respectively.

BP1 and BP0 are memory block write protection bits. They specify portions of memory that are write-protected as shown in [Table 5](#).

**Table 5 Block memory write protection**

BP1	BP0	Protected address range
0	0	None
0	1	60000h to 7FFFFh (upper 1/4)
1	0	40000h to 7FFFFh (upper 1/2)
1	1	00000h to 7FFFFh (all)

The BP1 and BP0 bits and the write enable latch are the only mechanisms that protect the memory from writes. The remaining write protection features protect inadvertent changes to the block protect bits.

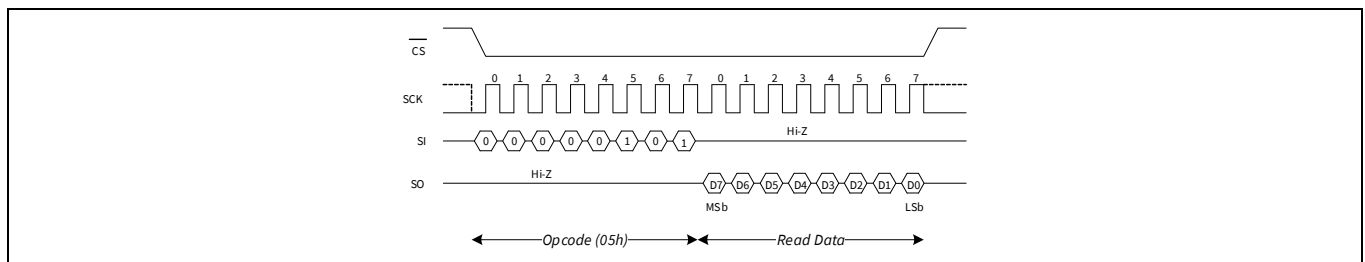
The write protect enable bit (WPEN) in the status register controls the effect of the hardware write protect ( $\overline{WP}$ ) pin. Refer to [Figure 23](#) for the WP pin timing diagram. When the WPEN bit is set to ‘0’, the status of the WP pin is ignored. When the WPEN bit is set to ‘1’, a LOW on the WP pin inhibits a write to the status register. Thus the status register is write-protected only when WPEN = ‘1’ and  $\overline{WP}$  = ‘0’. [Table 6](#) summarizes the write protection conditions.

**Table 6 Write protection**

WEL	WPEN	WP	Protected blocks	Unprotected blocks	Status register
0	X	X	Protected	Protected	Protected
1	0	X	Protected	Unprotected	Unprotected
1	1	0	Protected	Unprotected	Protected
1	1	1	Protected	Unprotected	Unprotected

#### 4.1.2.2 Read status register (RDSR, 05h)

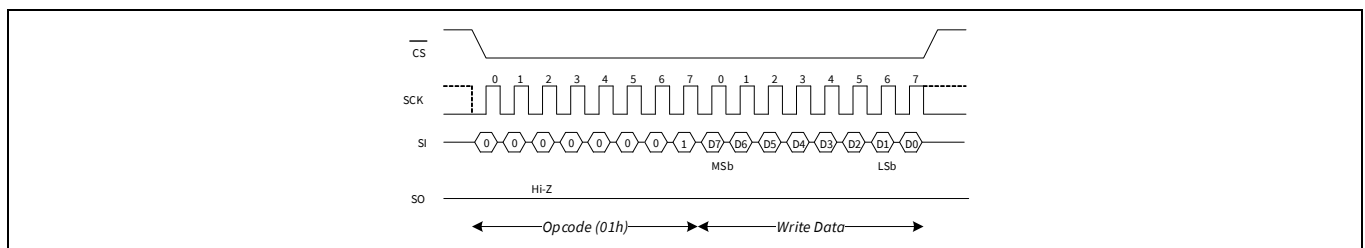
The RDSR command allows the bus master to verify the contents of the status register. Reading the status register provides information about the current state of the write-protection features. Following the RDSR opcode, the CY15X104QI will return one byte with the contents of the status register.



**Figure 8 RDSR bus configuration**

#### 4.1.2.3 Write status register (WRSR, 01h)

The WRSR command allows the SPI bus master to write into the status register and change the write protect configuration by setting the WPEN, BP0, and BP1 bits as required. Before issuing a WRSR command, the WP pin must be HIGH or inactive. Note that on the CY15X104QI, WP only prevents writing to the status register, not the memory array. Before sending the WRSR command, the user must send a WREN command to enable writes. Executing a WRSR command is a write operation and therefore, clears the write enable latch.



**Figure 9 WRSR bus configuration (WREN not shown)**

### 4.1.3 Memory operation

The SPI interface, which is capable of a high clock frequency, highlights the fast write capability of the EXCELON™ LP F-RAM technology. Unlike serial flash and EEPROMs, the CY15X104QI can perform sequential writes at bus speed. No page register is needed and any number of sequential writes may be performed.

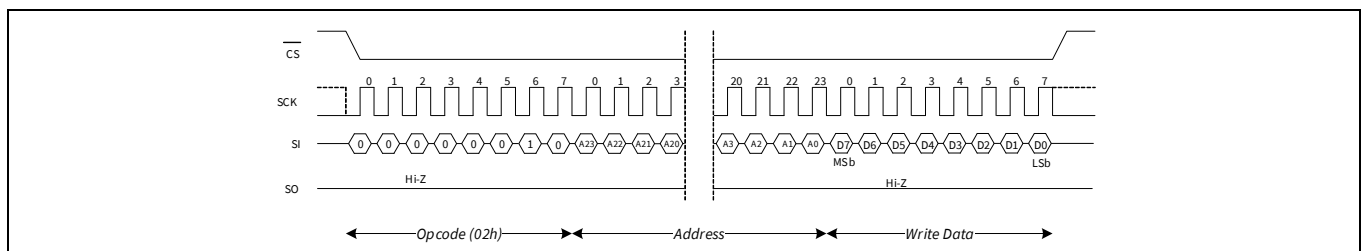
## 4.1.4 Memory write operation commands

### 4.1.4.1 Write operation (WRITE, 02h)

All writes to the memory begin with a WREN opcode with  $\overline{CS}$  being asserted and deasserted. The next opcode is WRITE. The WRITE opcode is followed by a three-byte address containing the 19-bit address (A18–A0) of the first data byte to be written into the memory. The upper five bits of the three-byte address are ignored. Subsequent bytes are data bytes, which are written sequentially. Addresses are incremented internally as long as the bus master continues to issue clocks and keeps  $\overline{CS}$  LOW. If the last address of 7FFFFh is reached, the internal address counter will roll over to 00000h. Every data byte to be written is transmitted on SI in 8-clock cycles with MSb first and the LSb last. The rising edge of  $\overline{CS}$  terminates a write operation. The CY15X104QI write operation is shown in [Figure 10](#).

#### Notes

- When a burst write reaches a protected block address, the automatic address increment stops and all the subsequent data bytes received for write will be ignored by the device. EEPROMs use page buffers to increase their write throughput. This compensates for the technology’s inherently slow write operations. EXCELON™ LP F-RAM memories do not have page buffers because each byte is written to the EXCELON™ LP F-RAM array immediately after it is clocked in (after the eighth clock). This allows any number of bytes to be written without page buffer delays.
- If power is lost in the middle of the write operation, only the last completed byte will be written.

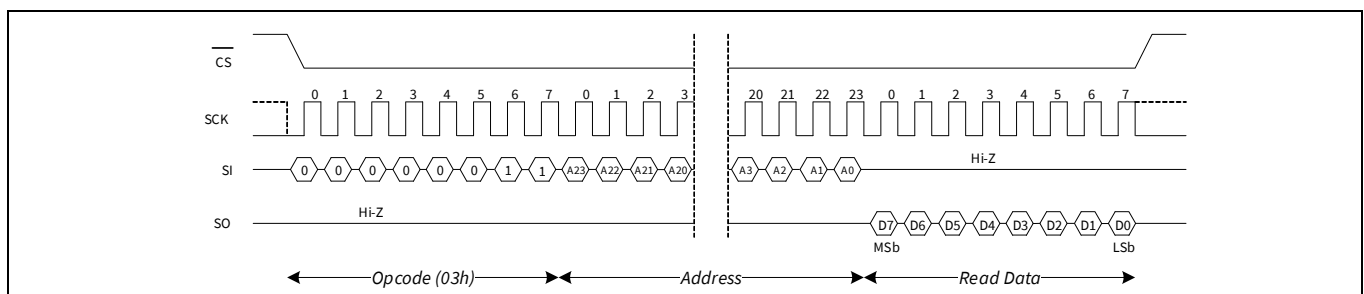


**Figure 10** Memory write (WREN not shown) operation

## 4.1.5 Memory read commands

### 4.1.5.1 Read operation (READ, 03h)

After the falling edge of  $\overline{CS}$ , the bus master can issue a READ opcode. Following the READ command is a three-byte address containing the 19-bit address (A18–A0) of the first byte of the read operation. The upper five bits of the address are ignored. After the opcode and address are issued, the device drives out the read data on the next eight clocks. The SI input is ignored during read data bytes. Subsequent bytes are data bytes, which are read out sequentially. Addresses are incremented internally as long as the bus master continues to issue clocks and  $\overline{CS}$  is LOW. If the last address of 7FFFFh is reached, the internal address counter will roll over to 00000h. Every data byte to be written is transmitted on SI in 8-clock cycles with MSb first and the LSb last. The rising edge of  $\overline{CS}$  terminates a read operation and tristates the SO pin. The CY15X104QI read operation is shown in [Figure 11](#).

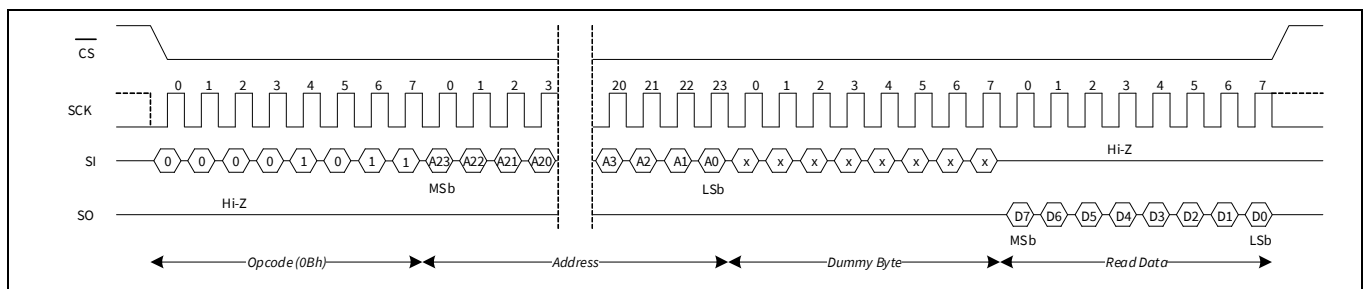


**Figure 11** Memory read operation

### 4.1.5.2 Fast read operation (FAST\_READ, 0Bh)

The CY15X104QI supports a FAST READ opcode (0Bh) that is provided for opcode compatibility with serial flash devices. The FAST READ opcode is followed by a three-byte address containing the 19-bit address (A18–A0) of the first byte of the read operation and then a dummy byte. The dummy byte inserts a read latency of 8-clock cycle. The fast read operation is otherwise the same as an ordinary read operation except that it requires an additional dummy byte. After receiving the opcode, address, and a dummy byte, the CY15X104QI starts driving its SO line with data bytes, with MSb first, and continues transmitting as long as the device is selected and the clock is available. In case of bulk read, the internal address counter is incremented automatically, and after the last address 7FFFFh is reached, the internal address counter rolls over to 00000h. When the device is driving data on its SO line, any transition on its SI line is ignored. The rising edge of CS terminates a fast read operation and tristates the SO pin. The CY15X104QI Fast Read operation is shown in **Figure 12**.

**Note:** The dummy byte can be any 8-bit value but Axh (8'b1010xxxx). The lower 4 bits of Axh are don't care bits. Hence, Axh essentially represents 16 different 8-bit values which shouldn't be transmitted as the dummy byte. 00h is typically used as the dummy byte in most use cases.



**Figure 12 Fast read operation**

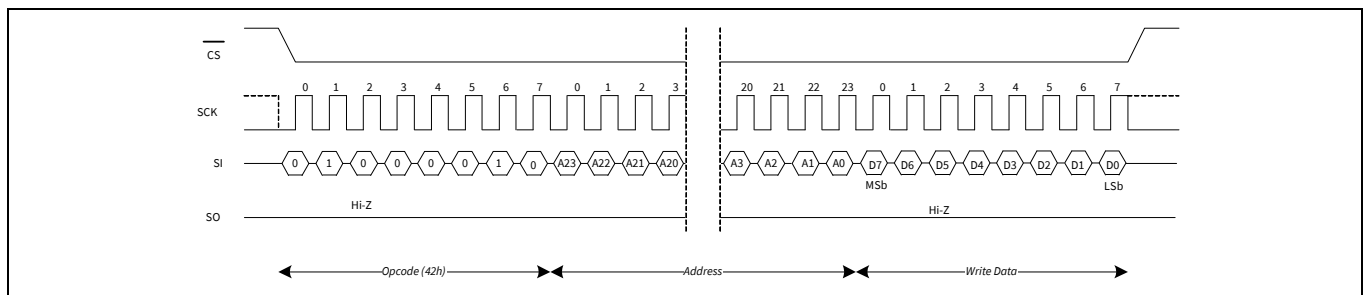
## 4.1.6 Special sector memory access commands

### 4.1.6.1 Special sector write (SSWR, 42h)

All writes to the 256-byte special begin with a WREN opcode with  $\overline{CS}$  being asserted and deasserted. The next opcode is SSWR. The SSWR opcode is followed by a three-byte address containing the 8-bit sector address (A7–A0) of the first data byte to be written into the special sector memory. The upper 16 bits of the three-byte address are ignored. Subsequent bytes are data bytes, which are written sequentially. Addresses are incremented internally as long as the bus master continues to issue clocks and keeps  $\overline{CS}$  LOW. Once the internal address counter auto increments to XXXFFh,  $\overline{CS}$  should toggle HIGH to terminate the ongoing SSWR operation. Every data byte to be written is transmitted on SI in 8-clock cycles with MSb first and the LSb last. The rising edge of  $\overline{CS}$  terminates a write operation. The CY15X104QI special sector write operation is shown in **Figure 13**.

#### Notes

- If power is lost in the middle of the write operation, only the last completed byte will be written.
- The special sector EXCELON™ LP F-RAM memory guarantees to retain data integrity up to three cycles of standard reflow soldering.

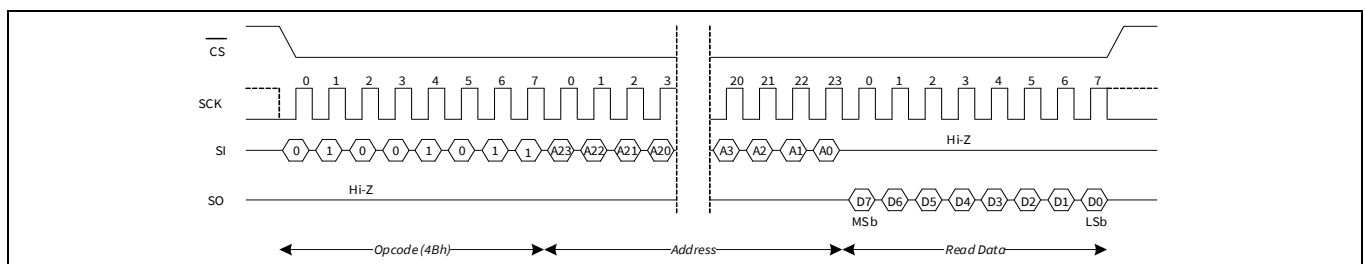


**Figure 13** Special sector write (WREN not shown) operation

### 4.1.6.2 Special sector read (SSRD, 4Bh)

After the falling edge of  $\overline{CS}$ , the bus master can issue an SSRD opcode. Following the SSRD command is a three-byte address containing the 8-bit address (A7–A0) of the first byte of the special sector read operation. The upper 16 bits of the address are ignored. After the opcode and address are issued, the device drives out the read data on the next eight clocks. The SI input is ignored during read data bytes. Subsequent bytes are data bytes, which are read out sequentially. Addresses are incremented internally as long as the bus master continues to issue clocks and  $\overline{CS}$  is LOW. Once the internal address counter auto increments to XXXFFh,  $\overline{CS}$  should toggle HIGH to terminate the ongoing SSRD operation. Every read data byte on SO is driven in 8-clock cycles with MSb first and the LSb last. The rising edge of  $\overline{CS}$  terminates a special sector read operation and tristates the SO pin. The CY15X104QI special sector read operation is shown in **Figure 14**.

**Note:** The special sector EXCELON™ LP F-RAM memory guarantees to retain data integrity up to three cycles of standard reflow soldering.



**Figure 14** Special sector read operation



## 4.1.7 Identification and serial number commands

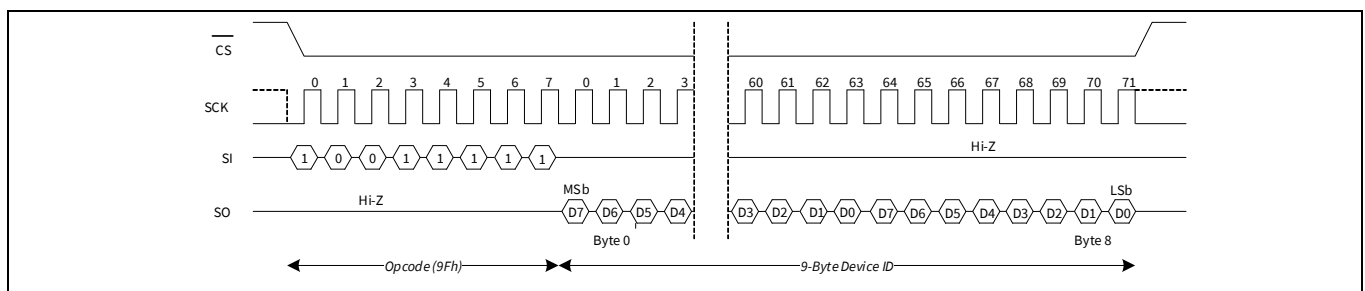
### 4.1.7.1 Read device ID (RDID, 9Fh)

The CY15X104QI device can be interrogated for its manufacturer, product identification, and die revision. The RDID opcode 9Fh allows the user to read the 9-byte manufacturer ID and product ID, both of which are read-only bytes. The JEDEC-assigned manufacturer ID places the Infineon (Ramtron) identifier in bank 7; therefore, there are six bytes of the continuation code 7Fh followed by the single byte C2h. There are two bytes of product ID, which includes a family code, a density code, a sub code, and the product revision code. **Table 7** shows 9-byte device ID field description. Refer to **“Ordering information”** on page 33 for 9-Byte device ID of an individual part. The CY15X104QI read device ID operation is shown in **Figure 15**.

**Note:** The least significant data byte (Byte 0) shifts out first and the most significant data byte (Byte 8) shifts out last.

**Table 7** 9-byte device ID

Device ID field description							
Manufacturer ID [71:16]	Family [15:13]	Density [12:9]	Inrush [8]	Sub type [7:5]	Revision [4:3]	Voltage [2]	Frequency [1:0]
56-bit	3-bit	4-bit	1-bit	3-bit	2-bit	1-bit	2-bit



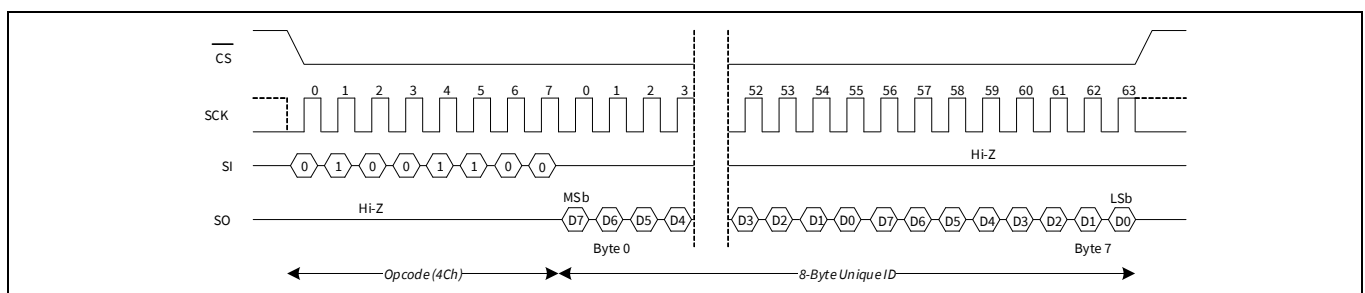
**Figure 15** Read device ID

### 4.1.7.2 Read unique ID (RUID, 4Ch)

The CY15X102QN device can be interrogated for unique ID which is a factory programmed, 64-bit number unique to each device. The RUID opcode, 4Ch allows to read the 8-byte, read only unique ID. The CY15X102QN read unique ID operation is shown in **Figure 16**.

**Notes**

- The least significant data byte (Byte 0) shifts out first and the most significant data byte (Byte 7) shifts out last.
- The unique ID registers are guaranteed to retain data integrity of up to three cycles of the standard reflow soldering.



**Figure 16** Read unique ID

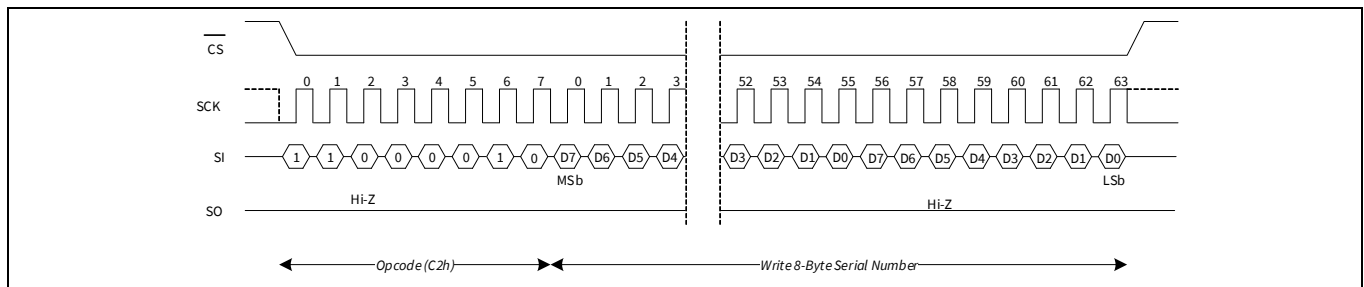
### 4.1.7.3 Write serial number (WRSN, C2h)

The serial number is an 8-byte one-time programmable memory space provided to the user to uniquely identify a PC board or a system. A serial number typically consists of a two-byte Customer ID, followed by five bytes of a unique serial number and one byte of CRC check. However, the end application can define its own format for the 8-byte serial number. All writes to the Serial Number Register begin with a WREN opcode with  $\overline{CS}$  being asserted and deasserted. The next opcode is WRSN. The WRSN instruction can be used in burst mode to write all the 8 bytes of serial number. After the last byte of the serial number is shifted in,  $\overline{CS}$  must be driven high to complete the WRSN operation. The CY15X104QI write serial number operation is shown in [Figure 17](#).

**Note:** The CRC checksum is not calculated by the device. The system firmware must calculate the CRC checksum on the 7-byte content and append the checksum to the 7-byte user-defined serial number before programming the 8-byte serial number into the serial number register. The factory default value for the 8-byte Serial Number is '0000000000000000h'.

**Table 8 8-byte serial number**

16-bit customer identifier		40-bit unique number					8-bit CRC
SN[63:56]	SN[55:48]	SN[47:40]	SN[39:32]	SN[31:24]	SN[23:16]	SN[15:8]	SN[7:0]

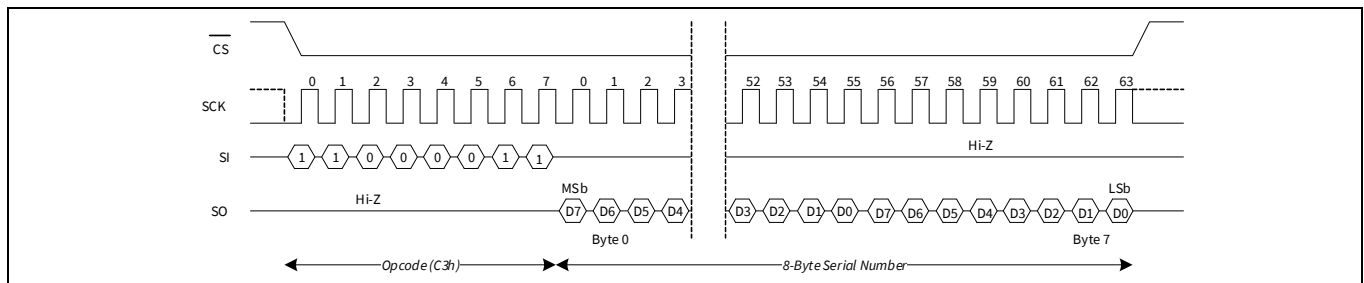


**Figure 17 Write serial number (WREN not shown) operation**

### 4.1.7.4 Read serial number (RDSN, C3h)

The CY15X104QI device incorporates an 8-byte serial space provided to the user to uniquely identify the device. The serial number is read using the RDSN instruction. A serial number read may be performed in burst mode to read all the eight bytes at once. After the last byte of the serial number is read, the device loops back to the first (MSb) byte of the serial number. An RDSN instruction can be issued by shifting the opcode for RDSN after  $\overline{CS}$  goes LOW. The CY15X104QI read serial number operation is shown in [Figure 18](#).

**Note:** The least significant data byte (Byte 0) shifts out first and the most significant data byte (Byte 7) shifts out last.



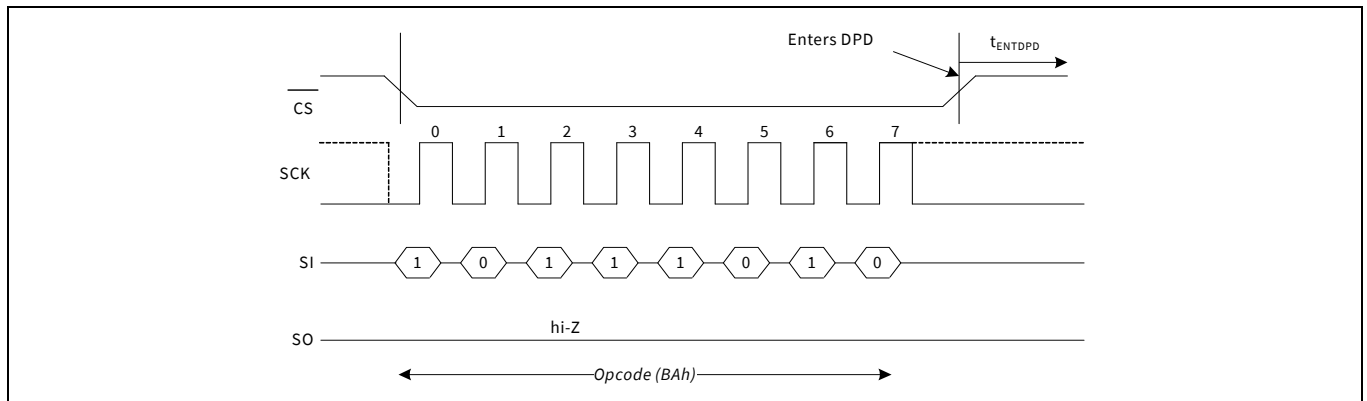
**Figure 18 Read serial number operation**

## 4.1.8 Low power mode commands

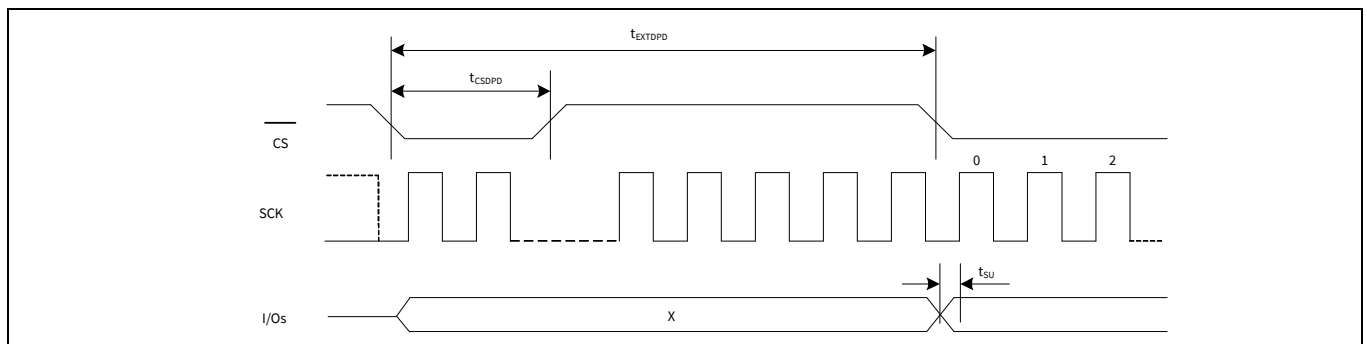
### 4.1.8.1 Deep power-down mode (DPD, BAh)

A power-saving deep power-down mode is implemented on the CY15X104QI device. The device enters the deep power-down mode after  $t_{ENTDPD}$  time after the DPD opcode BAh is clocked in and a rising edge of  $\overline{CS}$  is applied. When in deep power-down mode, the SCK and SI pins are ignored and SO will be Hi-Z, but the device continues to monitor the  $\overline{CS}$  pin.

A  $\overline{CS}$  pulse-width of  $t_{CSDPD}$  exits the DPD mode after  $t_{EXTDPD}$  time. The  $\overline{CS}$  pulse-width can be generated either by sending a dummy command cycle or toggling  $\overline{CS}$  alone while SCK and I/Os are don't care. The I/Os remain in hi-Z state during the wakeup from deep power-down. Refer to [Figure 19](#) for DPD entry and [Figure 20](#) for DPD exit timing.



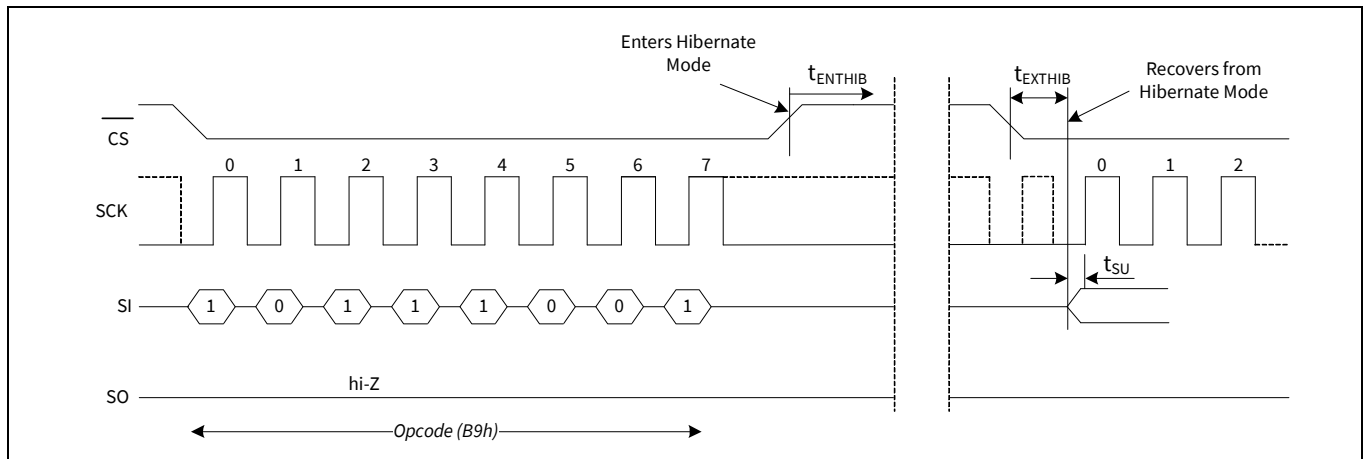
**Figure 19** DPD entry timing



**Figure 20** DPD exit timing

### 4.1.8.2 Hibernate mode (HBN, B9h)

A lowest power hibernate mode is implemented on the CY15X104QI device. The device enters hibernate mode after  $t_{ENTHIB}$  time after the HBN opcode B9h is clocked in and a rising edge of CS is applied. When in hibernate mode, the SCK and SI pins are ignored and SO will be Hi-Z, but the device continues to monitor the CS pin. On the next falling edge of CS, the device will return to normal operation within  $t_{EXTHIB}$  time. The SO pin remains in a Hi-Z state during the wakeup from hibernate period. The device does not necessarily respond to an opcode within the wakeup period. To exit the Hibernate mode, the controller may send a “dummy” read, for example, and wait for the remaining  $t_{EXTHIB}$  time.



**Figure 21** Hibernate mode operation

### 4.1.8.3 Endurance

The CY15X104QI devices are capable of being accessed at least  $10^{15}$  times, reads or writes.

An EXCELON™ LP F-RAM memory operates with a read and restore mechanism. Therefore, an endurance cycle is applied on a row basis for each access (read or write) to the memory array. The EXCELON™ LP F-RAM architecture is based on an array of rows and columns of 32K rows of 64-bit each. The entire row is internally accessed once, whether a single byte or all eight bytes are read or written. Each byte in the row is counted only once in an endurance calculation. [Table 9](#) shows endurance calculations for a 64-byte repeating loop, which includes an opcode, a starting address, and a sequential 64-byte data stream. This causes each byte to experience one endurance cycle through the loop.

EXCELON™ LP F-RAM read and write endurance is virtually unlimited at a 20-MHz clock rate.

**Table 9** Time to reach endurance limit for repeating 64-byte loop

SCK freq (MHz)	Endurance cycles/sec	Endurance cycles/year	Years to reach $10^{15}$ limit
20	36,520	$1.16 \times 10^{12}$	864
10	18,380	$5.79 \times 10^{11}$	1727
5	9,190	$2.90 \times 10^{11}$	3454

Maximum ratings

## 5 Maximum ratings

Exceeding the maximum ratings may impair the useful life of the device. User guidelines are not tested.

**Table 10 Absolute maximum ratings**

Parameter	Max ratings
Storage temperature	−65°C to +125°C
Maximum accumulated storage time	
At 125°C ambient temperature	1000 h
At 85°C ambient temperature	10 Years
Maximum junction temperature	125°C
Supply voltage on $V_{DD}$ relative to $V_{SS}$ :	
CY15V104QI:	−0.5 V to +2.4 V
CY15B104QI:	−0.5 V to +4.1 V
Input voltage	$V_{IN} \leq V_{DD} + 0.5 V$
DC voltage applied to outputs in High-Z state	−0.5 V to $V_{DD} + 0.5 V$
Transient voltage (< 20 ns) on any pin to ground potential	−2.0 V to $V_{DD} + 2.0 V$
Package power dissipation capability ( $T_A = 25^\circ\text{C}$ )	1.0 W
Surface mount lead soldering temperature (3 seconds)	+260°C
DC output current (1 output at a time, 1 second duration)	15 mA
Electrostatic discharge voltage	
Human body model (JEDEC Std JESD22-A114-B)	2 kV
Charged device model (JEDEC Std JESD22-C101-A)	500 V
Latch-up current	> 140 mA

Operating range

## 6 Operating range

**Table 11** Operating range

Device	Range	Ambient temperature	V <sub>DD</sub>
CY15V104QI	Commercial	0°C to +70°C	1.71 V to 1.89 V
CY15B104QI			1.8 V to 3.6 V
CY15V104QI	Industrial	−40°C to +85°C	1.71 V to 1.89 V
CY15B104QI			1.8 V to 3.6 V

## 7 DC electrical characteristics

**Table 12 DC electrical characteristics**

Over the **Operating range**

Parameter	Description	Test conditions	Temperature	Min	Typ <sup>[3, 4]</sup>	Max	Unit	
V <sub>DD</sub>	Power supply	CY15V104QI	-	1.71	1.8	1.89	V	
		CY15B104QI		1.8	3.3	3.6		
I <sub>DD</sub>	V <sub>DD</sub> supply current	V <sub>DD</sub> = 1.71 V to 1.89 V; SCK toggling between V <sub>DD</sub> - 0.2 V and V <sub>SS</sub> , other inputs V <sub>SS</sub> or V <sub>DD</sub> - 0.2 V. SO = Open	Commercial	f <sub>SCK</sub> = 1 MHz	-	0.2	0.35	mA
				f <sub>SCK</sub> = 20 MHz	-	1.2	1.4	
			Industrial	f <sub>SCK</sub> = 1 MHz	-	0.2	0.4	
				f <sub>SCK</sub> = 20 MHz	-	1.2	1.5	
		V <sub>DD</sub> = 1.8 V to 3.6 V; SCK toggling between V <sub>DD</sub> - 0.2 V and V <sub>SS</sub> , other inputs V <sub>SS</sub> or V <sub>DD</sub> - 0.2 V. SO = Open	Commercial	f <sub>SCK</sub> = 1 MHz	-	0.3	0.45	
				f <sub>SCK</sub> = 20 MHz	-	1.3	1.5	
			Industrial	f <sub>SCK</sub> = 1 MHz	-	0.3	0.6	
				f <sub>SCK</sub> = 20 MHz	-	1.3	1.6	
I <sub>SB</sub>	V <sub>DD</sub> standby current	V <sub>DD</sub> = 1.71 V to 1.8 V; CS = V <sub>DD</sub> . All other inputs V <sub>SS</sub> or V <sub>DD</sub> .	-	T <sub>A</sub> = 25°C	-	2.30	-	
				T <sub>A</sub> = 60°C	-	-	20 <sup>[4]</sup>	
				T <sub>A</sub> = 70°C	-	-	30	
				T <sub>A</sub> = 85°C	-	-	65	
		V <sub>DD</sub> = 1.8 V to 3.6 V; CS = V <sub>DD</sub> . All other inputs V <sub>SS</sub> or V <sub>DD</sub> .	-	T <sub>A</sub> = 25°C	-	2.60	-	
				T <sub>A</sub> = 60°C	-	-	20 <sup>[4]</sup>	
				T <sub>A</sub> = 70°C	-	-	31	
				T <sub>A</sub> = 85°C	-	-	70	

**Notes**

- 3. Typical values are at 25°C, V<sub>DD</sub> = V<sub>DD</sub>(typ).
- 4. This parameter is guaranteed by characterization; not tested in production.

**Table 12** DC electrical characteristics (continued)

Over the **Operating range**

Parameter	Description	Test conditions	Temperature	Min	Typ <sup>[3, 4]</sup>	Max	Unit
I <sub>DPD</sub>	Deep power-down current	V <sub>DD</sub> = 1.71 V to 1.89 V; CS = V <sub>DD</sub> . All other inputs V <sub>SS</sub> or V <sub>DD</sub> .	T <sub>A</sub> = 25°C	–	0.70	–	μA
			T <sub>A</sub> = 60°C	–	–	5.0 <sup>[4]</sup>	
			T <sub>A</sub> = 70°C	–	–	7.0	
			T <sub>A</sub> = 85°C	–	–	15	
		V <sub>DD</sub> = 1.8 V to 3.6 V; CS = V <sub>DD</sub> . All other inputs V <sub>SS</sub> or V <sub>DD</sub> .	T <sub>A</sub> = 25°C	–	0.80	–	
			T <sub>A</sub> = 60°C	–	–	5.50 <sup>[4]</sup>	
			T <sub>A</sub> = 70°C	–	–	8.0	
			T <sub>A</sub> = 85°C	–	–	16	
I <sub>HBN</sub>	Hibernate mode current	V <sub>DD</sub> = 1.71 V to 1.89 V; CS = V <sub>DD</sub> . All other inputs V <sub>SS</sub> or V <sub>DD</sub> .	T <sub>A</sub> = 25°C	–	0.10	–	μA
			T <sub>A</sub> = 60°C	–	–	0.25 <sup>[4]</sup>	
			T <sub>A</sub> = 70°C	–	–	0.40	
			T <sub>A</sub> = 85°C	–	–	0.90	
		V <sub>DD</sub> = 1.8 V to 3.6 V; CS = V <sub>DD</sub> . All other inputs V <sub>SS</sub> or V <sub>DD</sub> .	T <sub>A</sub> = 25°C	–	0.10	–	
			T <sub>A</sub> = 60°C	–	–	0.45 <sup>[4]</sup>	
			T <sub>A</sub> = 70°C	–	–	0.75	
			T <sub>A</sub> = 85°C	–	–	1.6	
I <sub>PEAK</sub>	Peak current drawn from V <sub>DD</sub> during power-up, wake up from hibernate, wake up from deep-power-down, or standby mode.	V <sub>DD</sub> = 1.71 V to 1.89 V; CS = V <sub>DD</sub> , WP = V <sub>DD</sub> . All other inputs V <sub>SS</sub> or V <sub>DD</sub> . Averaged over 10 μs.	–	–	1.50	1.65 <sup>[4]</sup>	mA
		V <sub>DD</sub> = 1.8 V to 3.6 V; CS = V <sub>DD</sub> , WP = V <sub>DD</sub> . All other inputs V <sub>SS</sub> or V <sub>DD</sub> . Averaged over 10 μs.	–	–	1.60	1.80 <sup>[4]</sup>	

**Notes**

- Typical values are at 25°C, V<sub>DD</sub> = V<sub>DD</sub>(typ).
- This parameter is guaranteed by characterization; not tested in production.



**4Mb EXCELON™ LP Ferroelectric RAM (F-RAM)**  
**Serial (SPI), 512K × 8, inrush current control, industrial**



DC electrical characteristics

**Table 12** DC electrical characteristics (continued)

Over the **Operating range**

Parameter	Description	Test conditions	Temperature	Min	Typ <sup>[3, 4]</sup>	Max	Unit
I <sub>LI</sub>	Input leakage current on I/O pins except WP pin	V <sub>SS</sub> < V <sub>IN</sub> < V <sub>DD</sub>	-	-1	-	1	μA
	Input leakage current on WP pin			-100	-	1	
I <sub>LO</sub>	Output leakage current	V <sub>SS</sub> < V <sub>OUT</sub> < V <sub>DD</sub>	-	-1	-	1	
V <sub>IH</sub>	Input HIGH voltage		-	0.7 × V <sub>DD</sub>	-	V <sub>DD</sub> + 0.3	V
V <sub>IL</sub>	Input LOW voltage		-	-0.3	-	0.3 × V <sub>DD</sub>	
V <sub>OH1</sub>	Output HIGH voltage	I <sub>OH</sub> = -1 mA, V <sub>DD</sub> = 2.7 V.	-	2.4	-	-	
V <sub>OH2</sub>	Output HIGH voltage	I <sub>OH</sub> = -100 μA	-	V <sub>DD</sub> - 0.2	-	-	
V <sub>OL1</sub>	Output LOW voltage	I <sub>OL</sub> = 2 mA, V <sub>DD</sub> = 2.7 V	-	-	-	0.4	
V <sub>OL2</sub>	Output LOW voltage	I <sub>OL</sub> = 150 μA	-	-	-	0.2	

**Notes**

- Typical values are at 25°C, V<sub>DD</sub> = V<sub>DD</sub>(typ).
- This parameter is guaranteed by characterization; not tested in production.

Data retention and endurance

## 8 Data retention and endurance

**Table 13** Data retention and endurance

Parameter	Description	Test conditions	Min	Max	Unit
T <sub>DR</sub>	Data retention	T <sub>A</sub> = 85°C	10	–	Years
		T <sub>A</sub> = 70°C	141	–	
		T <sub>A</sub> = 60°C	151	–	
		T <sub>A</sub> = 50°C	160	–	
NV <sub>C</sub>	Endurance	Over operating temperature	10 <sup>15</sup>	–	Cycles

Capacitance

## 9 Capacitance

**Table 14** Capacitance

For all packages.

Parameter <sup>[5]</sup>	Description	Test conditions	Max	Unit
C <sub>O</sub>	Output pin capacitance (SO)	T <sub>A</sub> = 25°C, f = 1 MHz, V <sub>DD</sub> = V <sub>DD</sub> (typ)	8	pF
C <sub>I</sub>	Input pin capacitance		6	

### Note

5. This parameter is guaranteed by characterization; not tested in production.

Thermal resistance

## 10 Thermal resistance

**Table 15 Thermal resistance**

Parameter <sup>[6]</sup>	Description	Test conditions	8-pin GQFN package	8-pin UFLGA package	Unit
$\Theta_{JA}$	Thermal resistance (junction to ambient)	Test conditions follow standard test methods and procedures for measuring thermal impedance, per EIA/JESD51.	118	103.5	°C/W
$\Theta_{JC}$	Thermal resistance (junction to case)		60	35.3	

### Note

6. This parameter is guaranteed by characterization; not tested in production.

AC test conditions

## 11 AC test conditions

**Table 16** AC test conditions

Parameter	Value
Input pulse levels	10% and 90% of $V_{DD}$
Input rise and fall times	3 ns
Input and output timing reference levels	$0.5 \times V_{DD}$
Output load capacitance	30 pF

## 12 AC switching characteristics

**Table 17 AC switching characteristics**

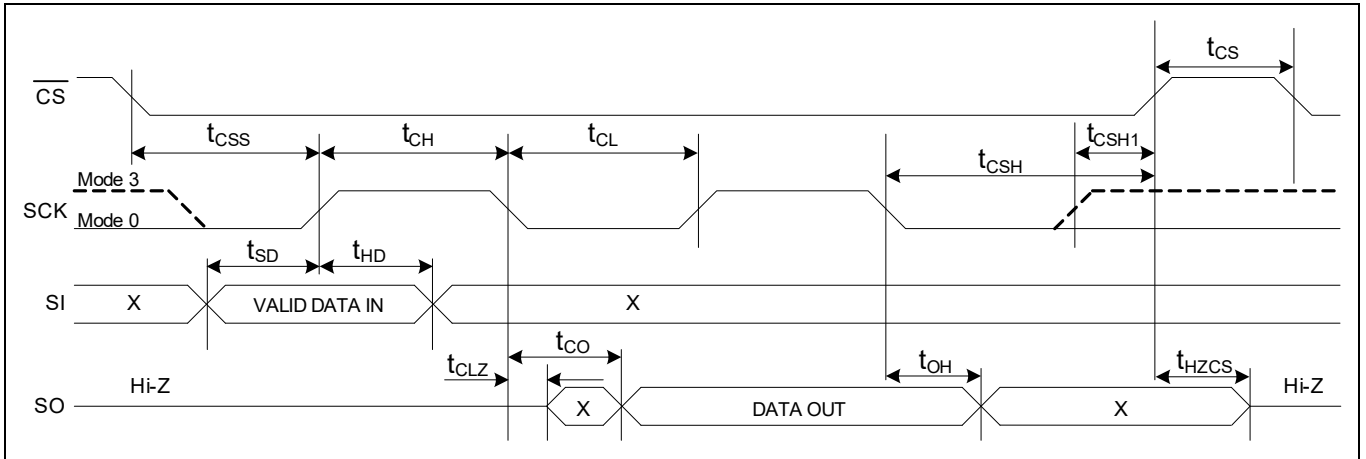
Over the **Operating range**

Parameters <sup>[7]</sup>		Description	Min	Max	Unit
Parameter	Alt. parameter				
f <sub>SCK</sub>	–	SCK clock frequency	0	20	MHz
t <sub>CH</sub>	–	Clock HIGH time	22	–	ns
t <sub>CL</sub>	–	Clock LOW time	22	–	
t <sub>CLZ</sub> <sup>[8]</sup>	–	Clock LOW to output low-Z	0	–	
t <sub>CSS</sub>	t <sub>CSU</sub>	Chip select setup	10	–	
t <sub>CSH</sub>	t <sub>CSH</sub>	Chip select hold - SPI mode 0	10	–	
t <sub>CSH1</sub>	–	Chip select hold - SPI mode 3	10	–	
t <sub>HZCS</sub> <sup>[9, 10]</sup>	t <sub>OD</sub>	Output disable time	–	20	
t <sub>CO</sub>	t <sub>ODV</sub>	Output data valid time	–	20	
t <sub>OH</sub>	–	Output hold time	1	–	
t <sub>CS</sub>	t <sub>D</sub>	Deselect time	60	–	
t <sub>SD</sub>	t <sub>SU</sub>	Data setup time	5	–	
t <sub>HD</sub>	t <sub>H</sub>	Data hold time	5	–	
t <sub>WPS</sub>	t <sub>WHSL</sub>	$\overline{WP}$ setup time (w.r.t $\overline{CS}$ )	20	–	
t <sub>WPH</sub>	t <sub>SHWL</sub>	$\overline{WP}$ hold time (w.r.t $\overline{CS}$ )	20	–	

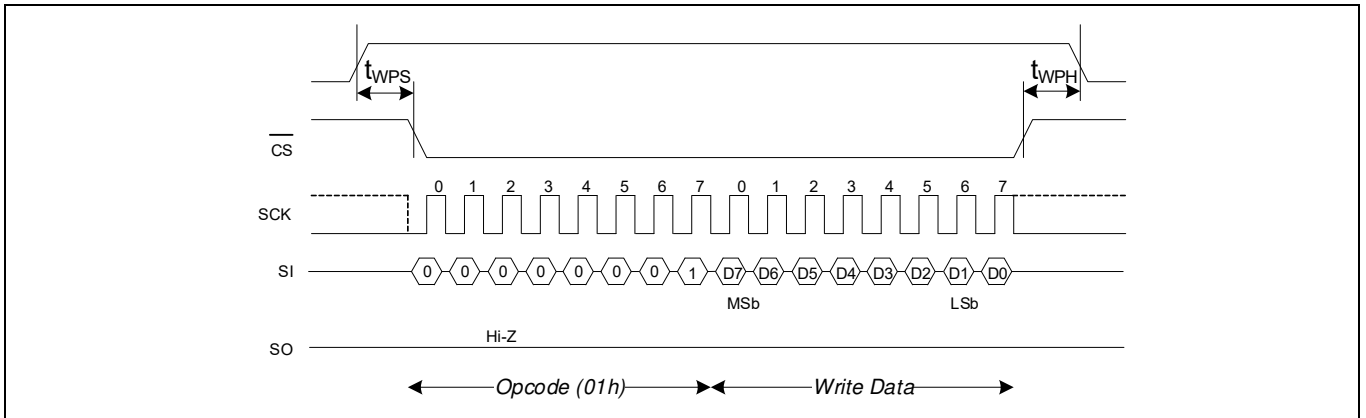
### Notes

7. Test conditions assume a signal transition time of 3 ns or less, timing reference levels of  $0.5 \times V_{DD}$ , input pulse levels of 10% to 90% of  $V_{DD}$ , and output loading of the specified  $I_{OL}/I_{OH}$  and 30-pF load capacitance shown in “**AC test conditions**” on page 29.
8. Guaranteed by design.
9. t<sub>HZCS</sub> is specified with a load capacitance of 5 pF. Transition is measured when the output enters a high-impedance state.
10. This parameter is guaranteed by characterization; not tested in production.

AC switching characteristics



**Figure 22 Synchronous data timing (Mode 0 and Mode 3)**



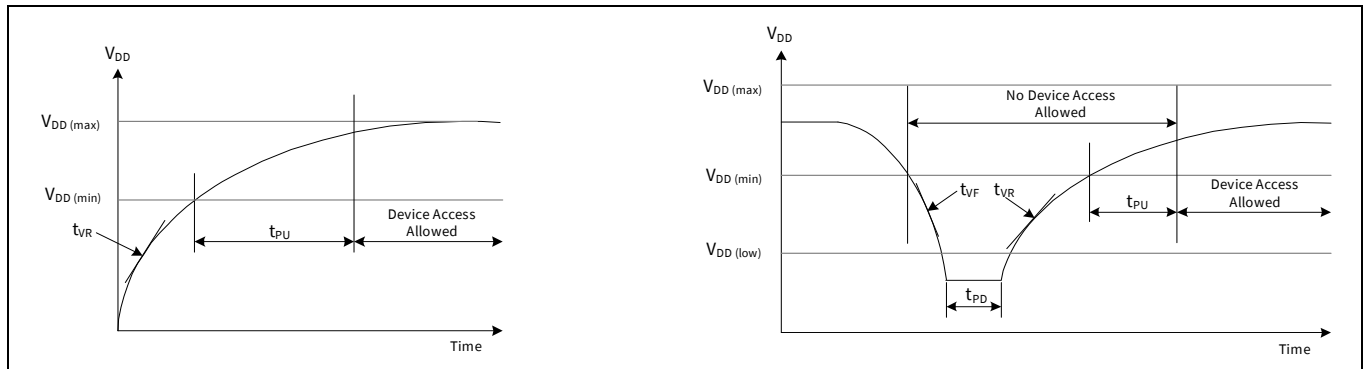
**Figure 23 Write protect timing during write status register (WRSR) operation**

## 13 Power cycle timing

**Table 18 Power cycle timing**

Over the **Operating range**

Parameters <sup>[11]</sup>		Description	Min	Max	Unit
Parameter	Alt. parameter				
$t_{PU}$		Power-up $V_{DD}(\text{min})$ to first access ( $\overline{\text{CS}}$ LOW)	5	–	ms
$t_{VR}$ <sup>[12]</sup>		$V_{DD}$ power-up ramp rate	30	–	$\mu\text{s}/\text{V}$
$t_{VF}$ <sup>[12, 13]</sup>		$V_{DD}$ power-down ramp rate	20	–	
$t_{ENTDPD}$ <sup>[14]</sup>	$t_{DP}$	$\overline{\text{CS}}$ HIGH to enter deep power-down ( $\overline{\text{CS}}$ HIGH to hibernate mode current)	–	3	$\mu\text{s}$
$t_{CSDPD}$		$\overline{\text{CS}}$ pulse width to wake up from deep power-down mode	0.015	$4 \times 1/f_{SCK}$	
$t_{EXTDPD}$	$t_{RDP}$	Recovery time from deep power down mode ( $\overline{\text{CS}}$ LOW to ready for access)	–	150	
$t_{ENTHIB}$ <sup>[15]</sup>		Time to enter hibernate ( $\overline{\text{CS}}$ HIGH to hibernate mode current)	–	3	ms
$t_{EXTHIB}$	$t_{REC}$	Recovery time from hibernate mode ( $\overline{\text{CS}}$ LOW to ready for access)	–	5	
$V_{DD}(\text{low})$ <sup>[13]</sup>		Low $V_{DD}$ where initialization must occur	0.6	–	V
$t_{PD}$ <sup>[13]</sup>		$V_{DD}(\text{low})$ time when $V_{DD}(\text{low})$ at 0.6 V	130	–	$\mu\text{s}$
		$V_{DD}(\text{low})$ time when $V_{DD}(\text{low})$ at $V_{SS}$	70	–	



**Figure 24 Power cycle timing**

### Notes

- Test conditions assume a signal transition time of 3 ns or less, timing reference levels of  $0.5 \times V_{DD}$ , input pulse levels of 10% to 90% of  $V_{DD}$ , and output loading of the specified  $I_{OL}/I_{OH}$  and 30-pF load capacitance shown in “**AC test conditions**” on page 29.
- Slope measured at any point on the  $V_{DD}$  waveform.
- This parameter is guaranteed by characterization; not tested in production.
- Guaranteed by design. Refer to **Figure 19** for deep power down mode timing.
- Guaranteed by design. Refer to **Figure 21** for hibernate mode timing.



Ordering information

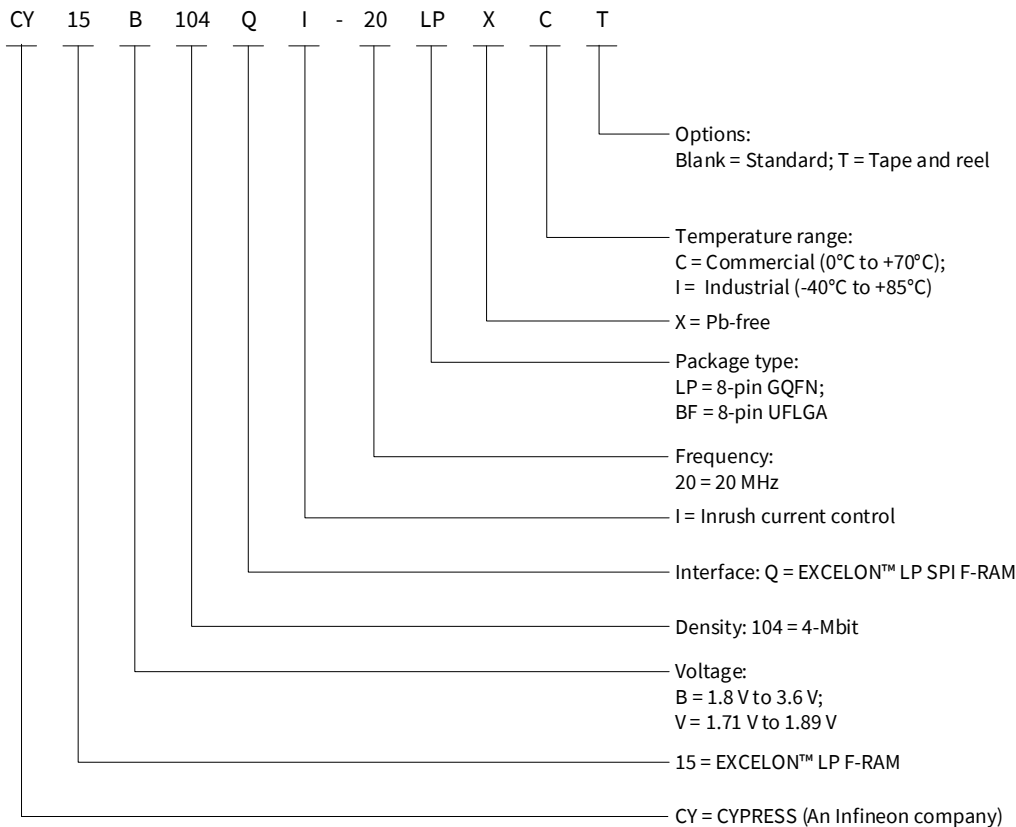
## 14 Ordering information

**Table 19** Ordering information

Ordering code	Device ID	Package diagram	Package type	Operating range
CY15B104QI-20LPXC	7F7F7F7F7F7FC22DA1	002-18131	8-pin GQFN (NRND) <sup>[16]</sup>	Commercial
CY15B104QI-20LPXCT				
CY15B104QI-20LPXI	7F7F7F7F7F7FC22D01			Industrial
CY15B104QI-20LPXIT				
CY15V104QI-20LPXC	7F7F7F7F7F7FC22DA5			Commercial
CY15V104QI-20LPXCT				
CY15V104QI-20LPXI	7F7F7F7F7F7FC22D05			Industrial
CY15V104QI-20LPXIT				
CY15B104QI-20BFXI	7F7F7F7F7F7FC22D01	002-34146	8-pin UFLGA	Industrial
CY15B104QI-20BFXIT				
CY15V104QI-20BFXI	7F7F7F7F7F7FC22D05			
CY15V104QI-20BFXIT				

All these parts are Pb-free. Contact your local sales representative for availability of these parts.

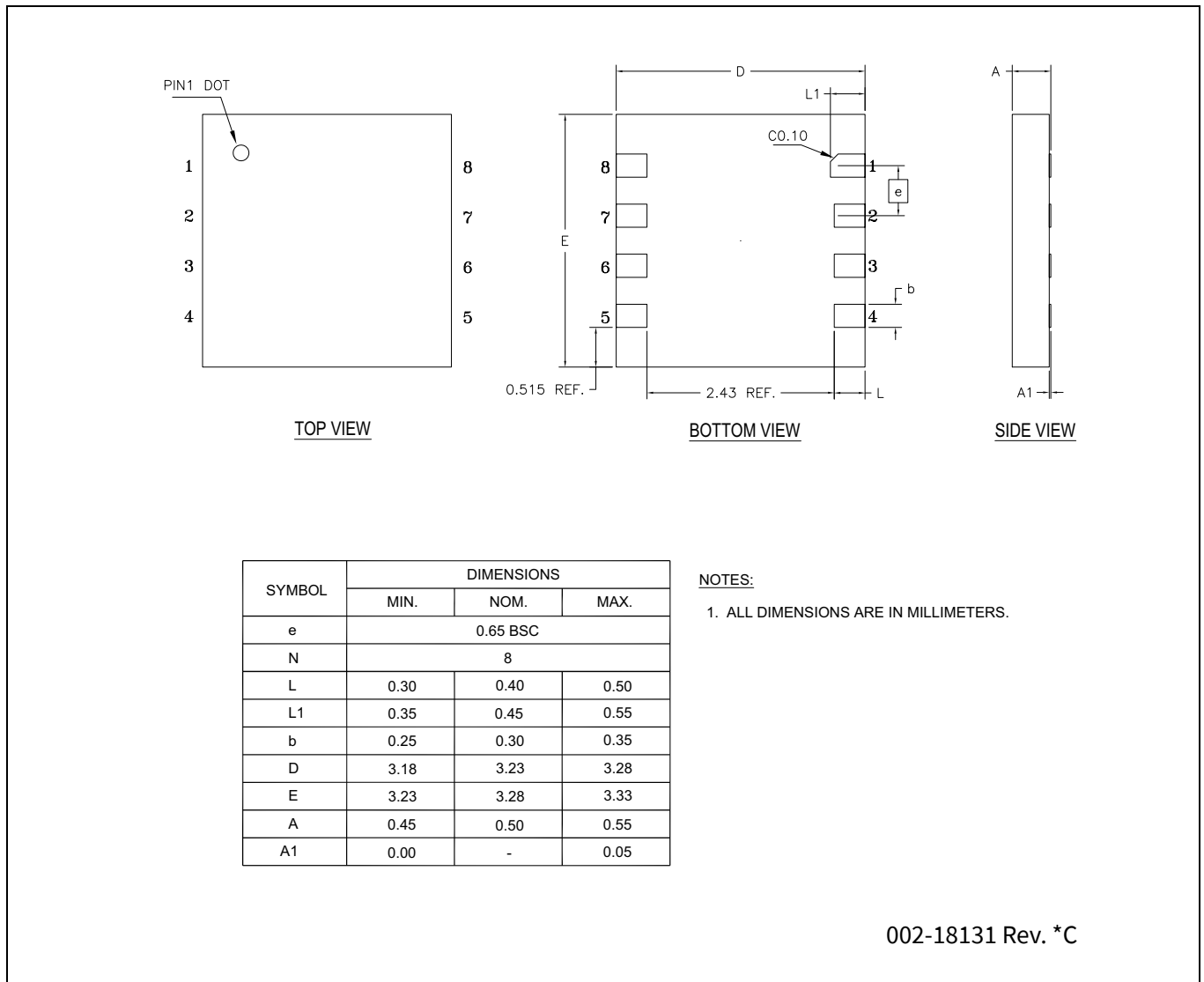
### 14.1 Ordering code definitions



**Note**

16.NRND - Not Recommended for New Designs

## 15 Package diagrams

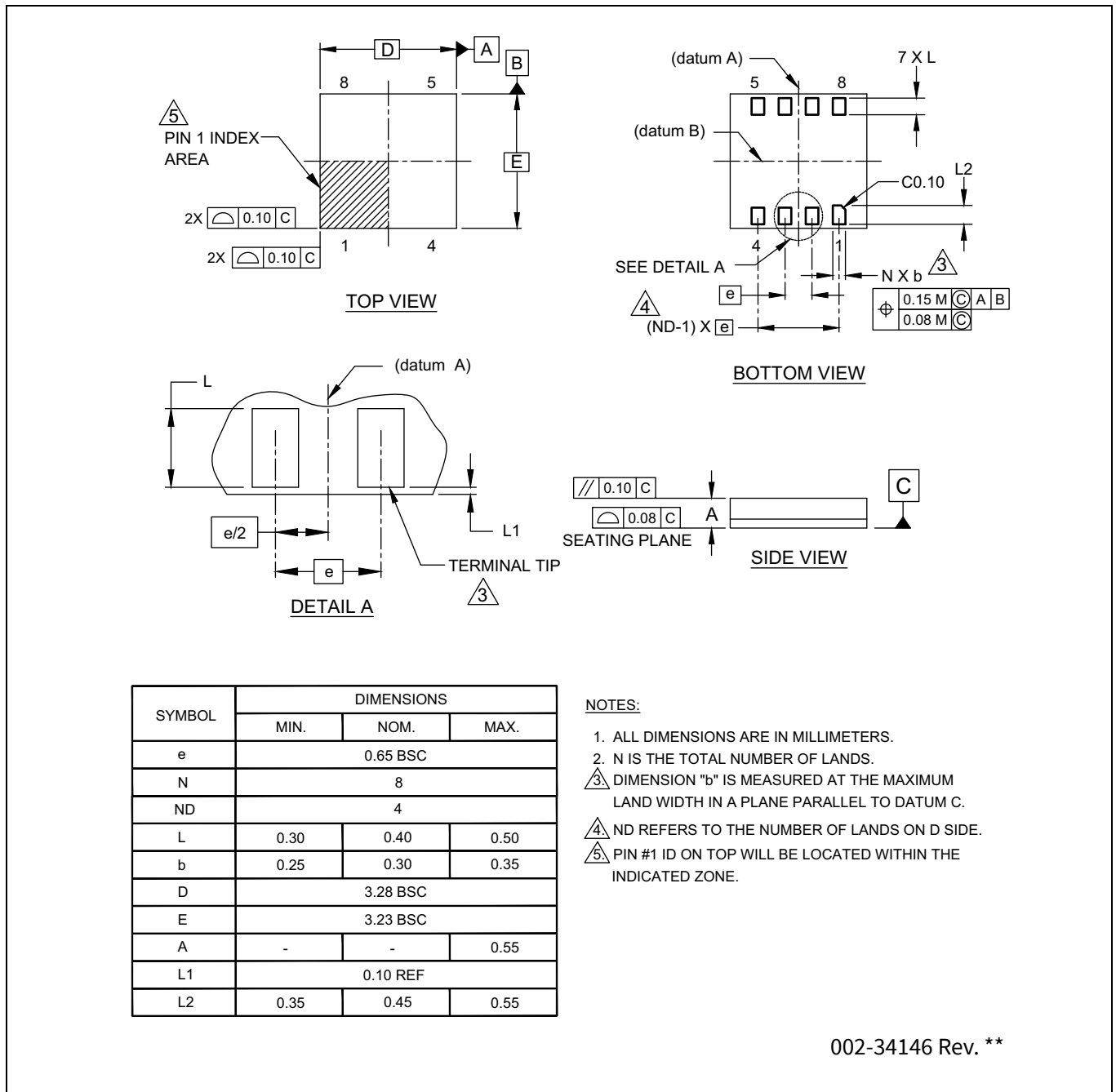


**Figure 25 8-pin GQFN (3.23 × 3.28 × 0.55 mm) LP08A package outline, 002-18131**

**4Mb EXCELON™ LP Ferroelectric RAM (F-RAM)**  
**Serial (SPI), 512K × 8, inrush current control, industrial**



Package diagrams



**Figure 26 8-pin UFLGA (3.28 × 3.23 × 0.55 mm) BF08A package outline, 002-34146**

## 16 Acronyms

**Table 20** Acronyms used in this document

<b>Acronym</b>	<b>Description</b>
CPHA	clock phase
CPOL	clock polarity
EEPROM	electrically erasable programmable read-only memory
EIA	electronic industries alliance
F-RAM	ferroelectric random access memory
GQFN	grid array flat no-lead
I/O	input/output
JEDEC	Joint Electron Devices Engineering Council
JESD	JEDEC standards
LSb	least significant bit
MSb	most significant bit
RoHS	restriction of hazardous substances
SOIC	small outline integrated circuit
SPI	serial peripheral interface
UFLGA	ultra thin fine-pitch land grid array

## **17 Document conventions**

### **17.1 Units of measure**

**Table 21 Units of measure**

<b>Symbol</b>	<b>Unit of measure</b>
°C	degree Celsius
Hz	hertz
kHz	kilohertz
kΩ	kilohm
Mbit	megabit
MHz	megahertz
μA	microampere
μF	microfarad
μs	microsecond
mA	milliampere
ms	millisecond
ns	nanosecond
Ω	ohm
%	percent
pF	picofarad
V	volt
W	watt

## Revision history

Document revision	Date	Description of changes
*L	2019-07-15	Post to external web.
*M	2022-01-20	Migrated to Infineon template.
*N	2022-08-19	Updated <b>Features</b> : Updated description. Updated <b>Pin definitions</b> : Updated <b>Table 1</b> . Updated <b>DC electrical characteristics</b> : Updated <b>Table 12</b> . Updated to new template.
*O	2023-06-02	Added 8-pin UFLGA package related information in all instances across the document. Updated <b>Features</b> : Added Note 1 and referred the same note in “8-pin grid-array quad flat no-lead (GQFN) package (NRND)”. Updated <b>Ordering information</b> : Updated <b>Table 19</b> (Updated part numbers; updated details under “Package type” column). Added Note 16 and referred the same note in “8-pin GQFN (NRND)” in <b>Table 19</b> . Updated <b>Ordering code definitions</b> . Updated <b>Package diagrams</b> : Added spec 002-34146 Rev. **. Updated to new template.

**Trademarks**

All referenced product or service names and trademarks are the property of their respective owners.

**Edition 2023-06-02**

**Published by**

**Infineon Technologies AG  
81726 Munich, Germany**

**© 2022 Infineon Technologies AG.  
All Rights Reserved.**

**Do you have a question about this document?**

**Email:**

[erratum@infineon.com](mailto:erratum@infineon.com)

**Document reference**

**002-18671 Rev. \*O**

**IMPORTANT NOTICE**

The information given in this document shall in no event be regarded as a guarantee of conditions or characteristics ("Beschaffenheitsgarantie").

With respect to any examples, hints or any typical values stated herein and/or any information regarding the application of the product, Infineon Technologies hereby disclaims any and all warranties and liabilities of any kind, including without limitation warranties of non-infringement of intellectual property rights of any third party.

In addition, any information given in this document is subject to customer's compliance with its obligations stated in this document and any applicable legal requirements, norms and standards concerning customer's products and any use of the product of Infineon Technologies in customer's applications.

The data contained in this document is exclusively intended for technically trained staff. It is the responsibility of customer's technical departments to evaluate the suitability of the product for the intended application and the completeness of the product information given in this document with respect to such application.

**WARNINGS**

Due to technical requirements products may contain dangerous substances. For information on the types in question please contact your nearest Infineon Technologies office.

Except as otherwise explicitly approved by Infineon Technologies in a written document signed by authorized representatives of Infineon Technologies, Infineon Technologies' products may not be used in any applications where a failure of the product or any consequences of the use thereof can reasonably be expected to result in personal injury.