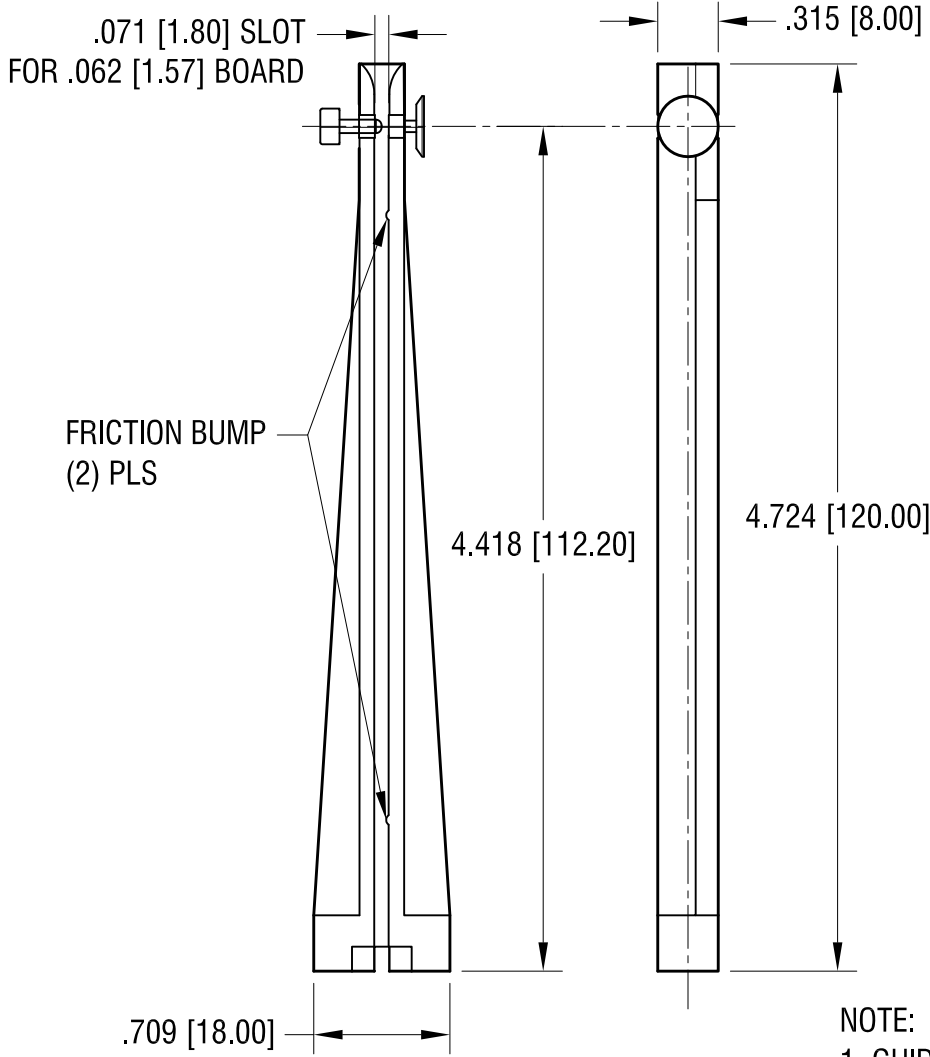
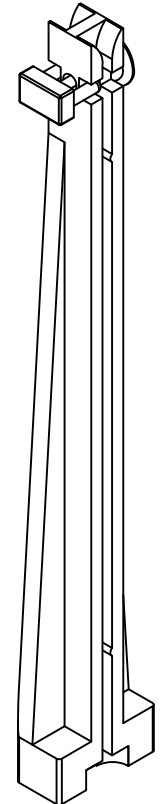


THIS DOCUMENT IS THE PROPERTY OF
KEYSTONE ELECTRONICS CORP. AND
SHALL NOT BE REPRODUCED, DISTRIBUTED
OR USED AS A BASIS FOR MANUFACTURE
WITHOUT PRIOR WRITTEN PERMISSION
FROM KEYSTONE ELECTRONICS CORP.



ACTUAL SIZE



FRICION BUMP
(2) PLS

M3 X 0.5
THREAD (2) PLS

- NOTE:
1. GUIDE: MAT'L- NYLON GLASS FILLED (COLOR-BLUE)
 2. INSERT: MAT'L- BRASS FINISH- NICKEL PLATE
 3. HARDWARE: MAT'L- STEEL FINISH- ZINC PLATE
(2) PLS LOCKWASHER
(2) PLS FLAT WASHER
(2) PLS SCREW M3 x 8mm L,

5.21.21	CHANGE AS PER ECN 21-046	A
DATE	DESCRIPTION	REV.

KEYSTONE ELECTRONICS CORP.			
www.keyelco.com • NEW HYDE PARK, NY 11040 • Tel (516) 328-7500			
PART NAME		VERTICAL CARD GUIDE	
MATERIAL		AS NOTED	
FINISH	AS NOTED	DRN BY	DATE
		NT	7.25.19
		APP'D	SCALE
		RH	1X
TOLERANCES	INCH [MM]	CODE	DWG NO.
DECIMAL	± .010 [± 0.25]	C	8654
ANGULAR	± 1°		
UNLESS OTHERWISE SPECIFIED			