

**Ratings**

Temperature: -40~70 °C  
Voltage: 150 V

**Conductor**

Gauge: 20 AWG 0.51 mm<sup>2</sup>  
Material: tinned copper strands  
Strand size:  $\varnothing 0.1 \times 65$   
Resistance at 20 °C: 36.7  $\Omega$  /km max

**Insulator**

Material: HDPE  
Color: yellow, white, black, red  
Diameter:  $\varnothing 1.45 \pm 0.10$  mm  
Nominal thickness: 0.25 mm  
Resistance at 20 °C: 100 M $\Omega$  /km min

**Shield**

Type: spiral  
Material: tinned copper strands  
Stranding:  $\varnothing 0.08$  mm  
Coverage: 90 % min

**Outer jacket**

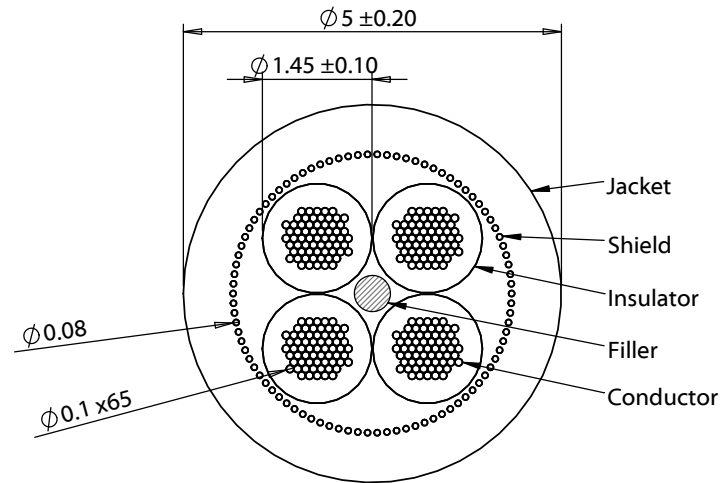
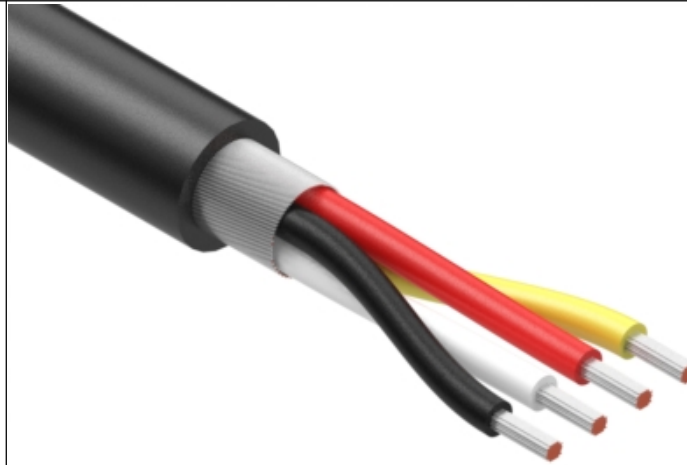
Material: TPU  
Color: black  
Nominal thickness: 0.65 mm  
Diameter:  $\varnothing 5 \pm 0.20$  mm

**Filler**

Material: aramid fiber

**Tests**

Tensile strength: 35.7 kgf min  
Dielectric test: 1500 V dc for 1 minute without breakdown  
Bend test at 200 g,  $\pm 90^\circ$ , 30 cycles /min: 15,000 cycle minimum



Revision:	Date:	Description:
A	3/24/2021	Initial release

Prepared:	<small>Digitally signed by AW Date: 2021.03.24 11:33:09 -07'00'</small>
AW	
Verified:	<small>Digitally signed by AG Date: 2021.04.02 11:39:54 -07'00'</small>
AG	
Dimensions are in millimeters. Tolerances: X: $\pm 0.5$ mm X.X: $\pm 0.3$ mm X.XX: $\pm 0.05$ mm	

Notes:
RoHS compliant Jacket meets ISO 10993 Biological Compatibility Phthalate and halogen free Function test: no open, no short, no intermittent
Description:
Wire, 4C TS, 20 AWG, 150V, 70C, 5.0 mm, shielded, TPU, 75A, WBL

# TENSILITY

tel 1.541.323.3228 800 877.670.7118  
fax 1.541.323.4202 web tensility.com

Size:	Part number:
A	30-01865
Scale: 10:1	
Sheet 1 of 1	