

MATERIAL SPECIFICATIONS:
 Housing: LCP, UL-94V-0 rated
 Contacts: Phosphor bronze, Tin plated

ELECTRICAL SPECIFICATIONS:
 Rated current: UL = 5A / 22 - 26AWG
 cUL = 5A / 22AWG, 3A / 24 - 26AWG
 IEC/EN = 3A
 Rated voltage: UL/cUL = 600V, IEC/EN = 250V

MECHANICAL SPECIFICATIONS:
 Applicable wire: 0.14 ~ 0.34mm² solid
 26-22 AWG solid
 Wire strip length: 4.5 - 5.5mm
 Connection type: Cage clamp
 Wire release: with tool
 Solder temperature: 270°C max.

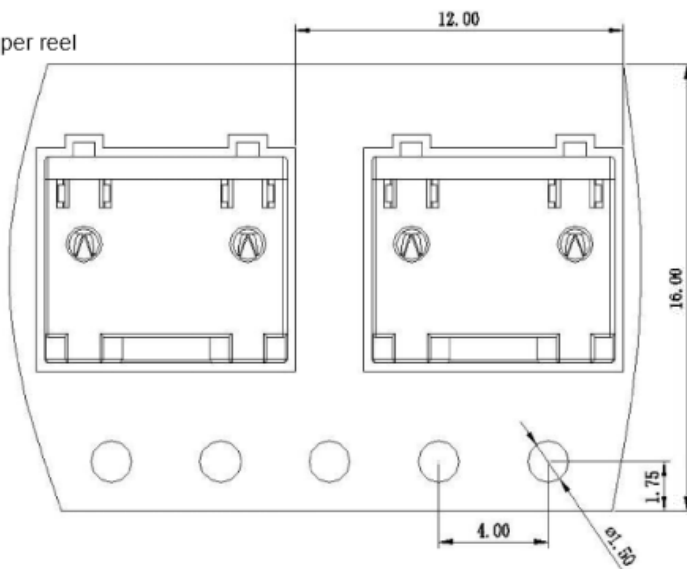
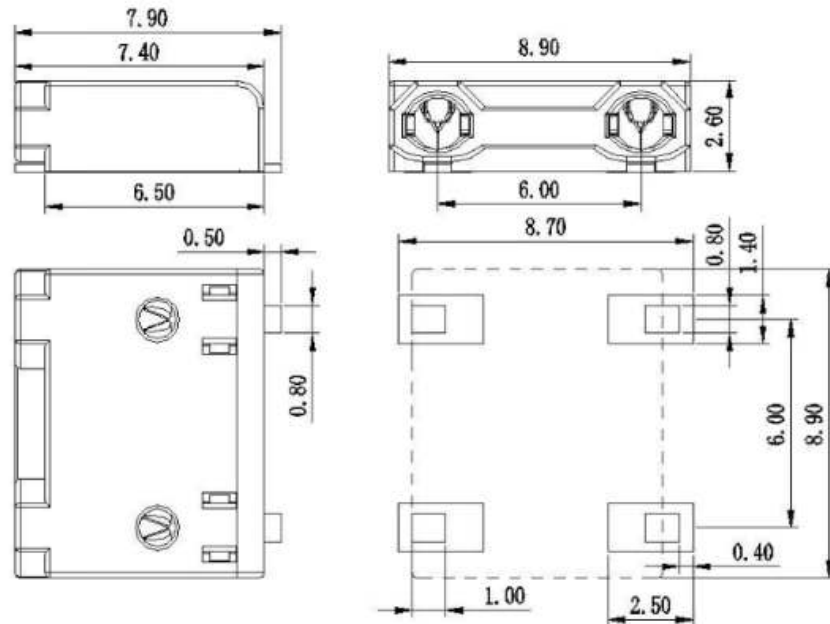
ENVIRONMENTAL SPECIFICATIONS:
 Operating Temperature: -40°C ~ +105°C



SAFETY AGENCY APPROVALS:

STANDARDS: UL1977 / CSA-C22.2 No. 182.3

PACKAGING:
 Tape & Reel; 800 pcs per reel



TOLERANCE UNLESS OTHERWISE SPECIFIED	
X	± 1
X.X	± 0.4
X.XX	± 0.13
DRAWN BY	PB
DATE:	3/22/18
CHECK BY	DATE:
APPR BY	DATE:

Power Dynamics, Inc.	
Phone: 973 560-0019 Whippany, New Jersey Fax: 973 560-0078	
PART: 6mm PITCH SMT MICRO TERMINAL BLOCK TWO POLE; FOR LED APPLICATIONS	
PART # PD-LTB6-2P	
MC: B07A-6.0	ALL DIMENSIONS FOR REFERENCE ONLY DIMENSIONS ARE IN MILLIMETERS
SCALE: NTS	REV:

REVISIONS	CHNG	CHK	APPR
	CHANGE		
REV	DATE		

D
C
B
A

D
C
B
A

6 5 4 3 2 1

6 5 4 3 2 1