

NOTES:

1. METRIC DIMS SHOWN IN ().
2. MOUNTING HARDWARE TO BE SHIPPED UNASSEMBLED.

THIS DOCUMENT IS THE PROPERTY OF EATON CORP. IT'S CONTENTS ARE PROPRIETARY AND CONFIDENTIAL AND SHALL NOT BE DISCLOSED TO ANY UNAUTHORIZED PERSON, COPIED OR PUBLISHED WITHOUT EATON'S PRIOR WRITTEN CONSENT.

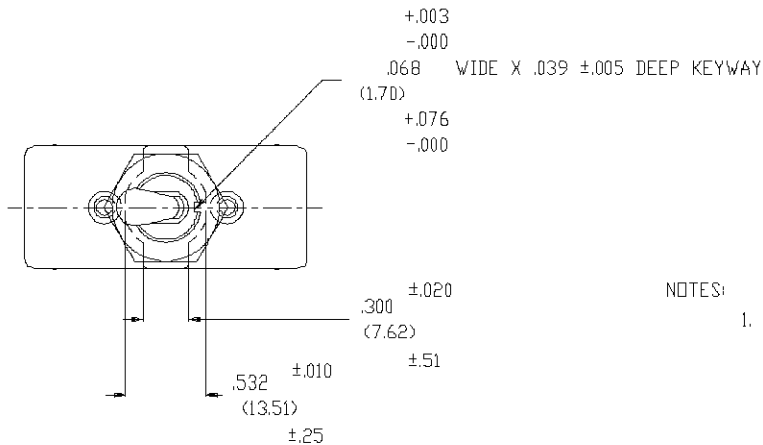


TITLE		DIMS FOR DOUBLE INSULATED TOOL HANDLE SWITCH FOR EUROPEAN USE	
ORDER NO.	702A575014	BASIC SPECS. SUMMARY	
A2	REDRAWN ON CAD. REMOVED BOTTOM VIEW.	TC	DR.
	ECN01229603	93719990 1/22/96	MICHAEL WHITED 1/8/76
	ECN		APP. RICHARD SAWS
	ECN		CHK. J. SMITH 1/14/76
	ECN		ECN01229603
EATON			

90-6358

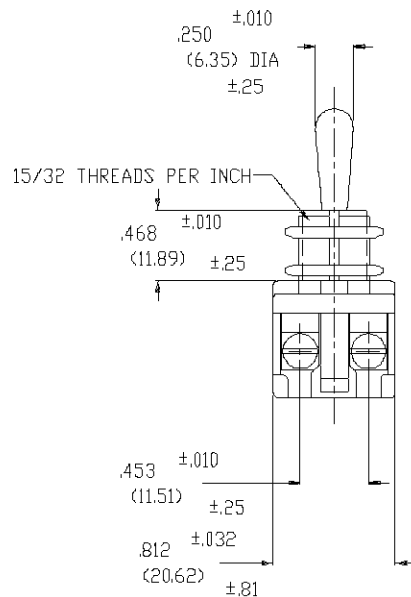
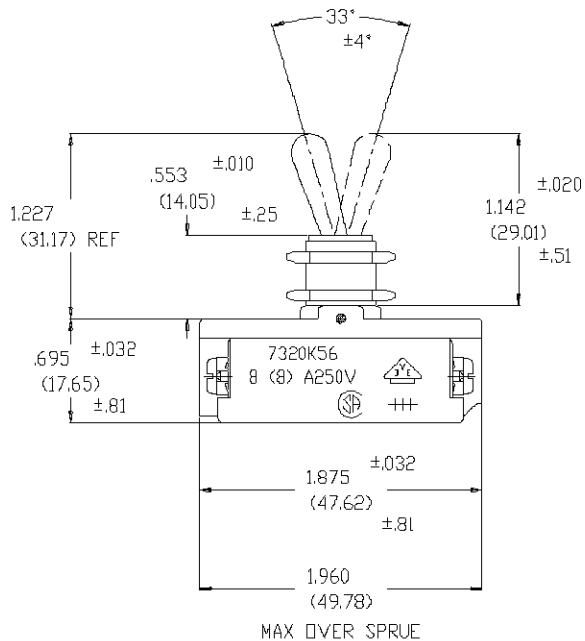
B

91-611



NOTES:

- 1. MOUNTING HARDWARE TO BE SHIPPED UNASSEMBLED.



INCH (MILLIMETERS)

THIS DOCUMENT IS THE PROPERTY OF EATON CORP. IT'S CONTENTS ARE PROPRIETARY AND CONFIDENTIAL AND SHALL NOT BE DISCLOSED TO ANY UNAUTHORIZED PERSON, COPIED OR PUBLISHED WITHOUT EATON'S PRIOR WRITTEN CONSENT.

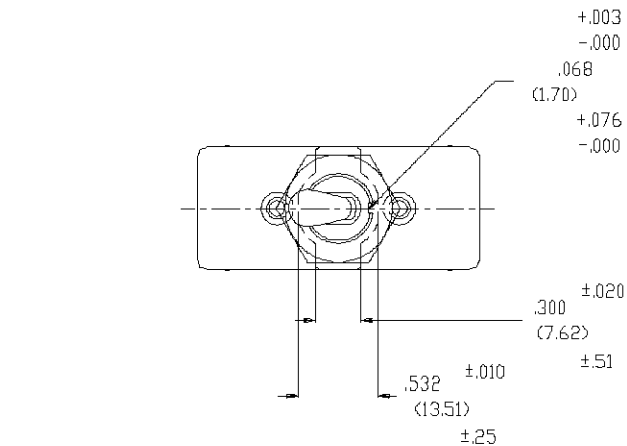
ORDER NO. 93719990



TITLE: DIM DWG DOUBLE INSULATED TOOL HANDLE SWITCH - 7320K56		
DR.	2/22/96	SURFACE COATING
DHK.		SCALE
APP.		DO NOT SCALE DRAWING
ECN02089605		SUP'S
		SUP'D BY

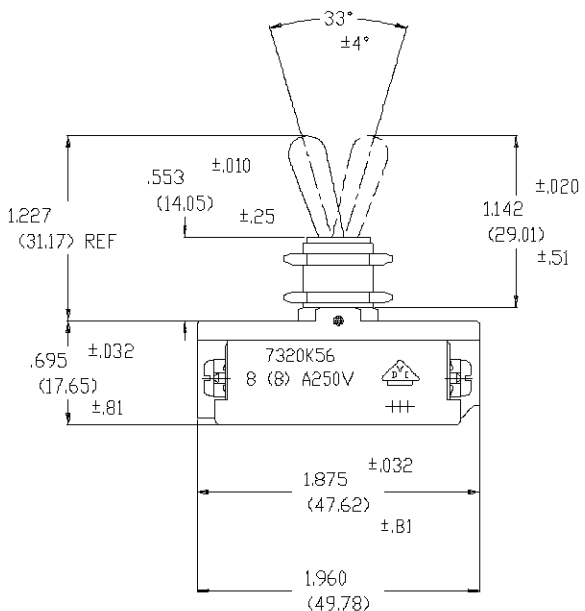
B

91-617

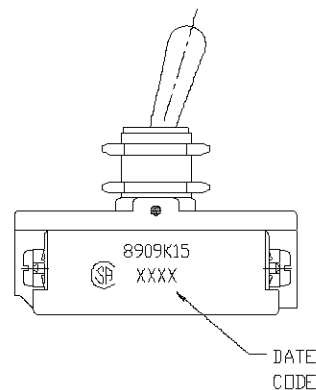
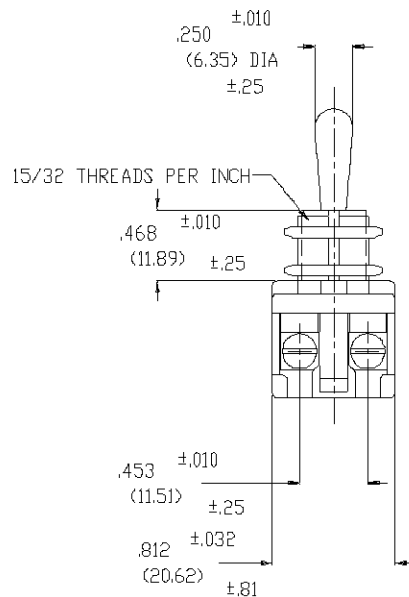


NOTES:

1. MOUNTING HARDWARE TO BE SHIPPED UNASSEMBLED.



MAX OVER SPRUE

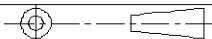


INCH (MILLIMETERS)

THIS DOCUMENT IS THE PROPERTY OF EATON CORP. IT'S CONTENTS ARE PROPRIETARY AND CONFIDENTIAL AND SHALL NOT BE DISCLOSED TO ANY UNAUTHORIZED PERSON, COPIED OR PUBLISHED WITHOUT EATON'S PRIOR WRITTEN CONSENT.

ORDER NO. 93719990

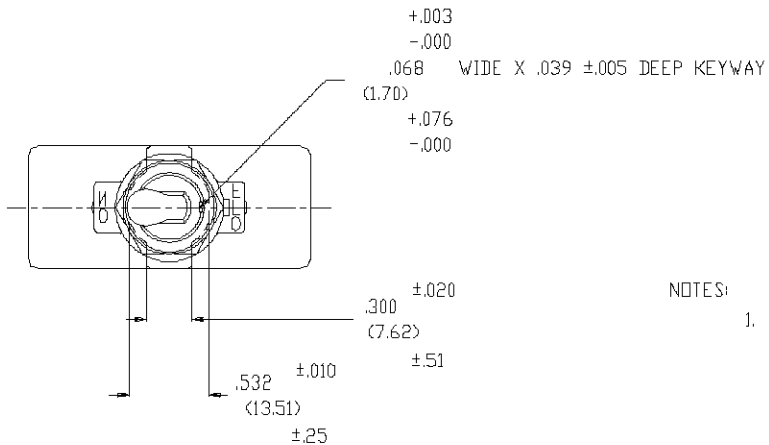
THIRD ANGLE PROJECTION



TITLE: DIM DWG DOUBLE INSULATED TOOL HANDLE SWITCH - 8909K15			
DR. T. CHRISTENSEN	1/22/96	SURFACE COATING	ECN01229603
CHK.		SCALE	SUP'S
APP.		DO NOT SCALE DRAWING	SUP'D BY

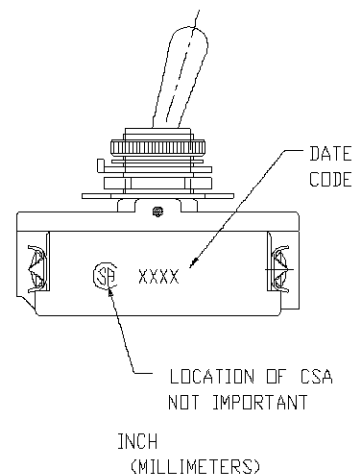
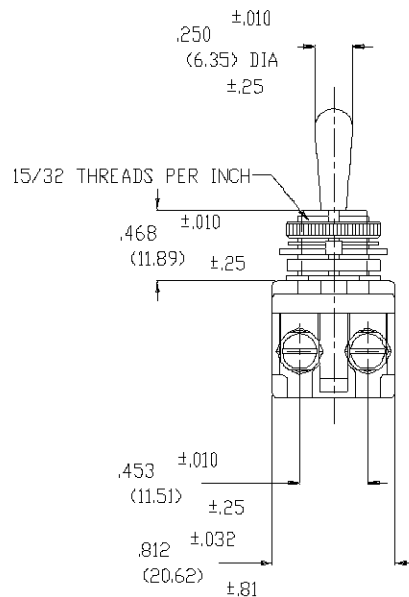
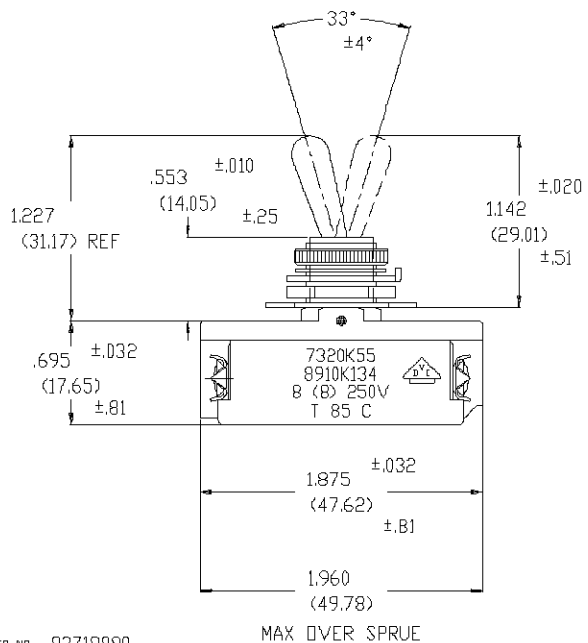
B

91-612



NOTES:

1. MOUNTING HARDWARE TO BE SHIPPED UNASSEMBLED.



THIS DOCUMENT IS THE PROPERTY OF EATON CORP. IT'S CONTENTS ARE PROPRIETARY AND CONFIDENTIAL AND SHALL NOT BE DISCLOSED TO ANY UNAUTHORIZED PERSON, COPIED OR PUBLISHED WITHOUT EATON'S PRIOR WRITTEN CONSENT.

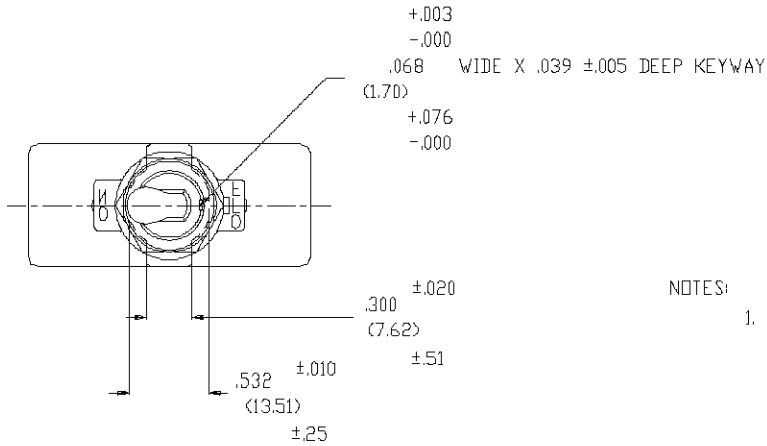
ORDER NO. 93719990



TITLE	DIM DWG DOUBLE INSULATED TOOL HANDLE SWITCH - 8910K134	
DR.	2/22/96	SURFACE COATING
DWK.		SCALE
APP.		DO NOT SCALE DRAWING
	ECN02089605	
	SUP'S	
	SUP'D BY	

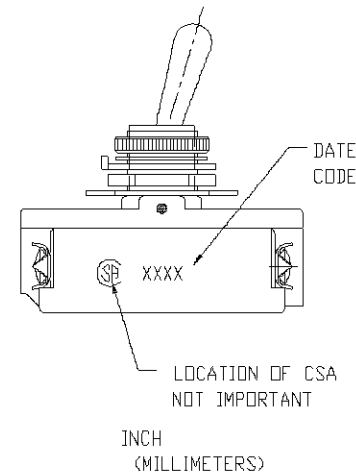
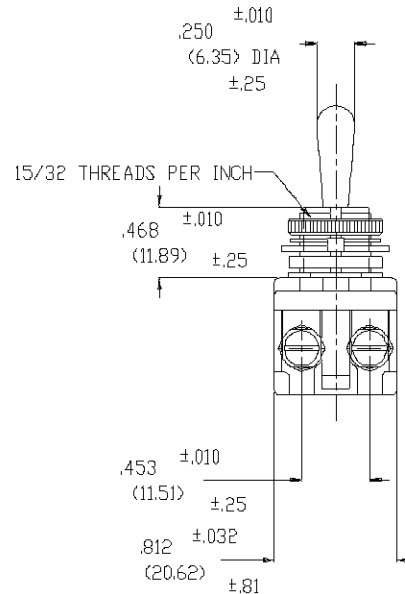
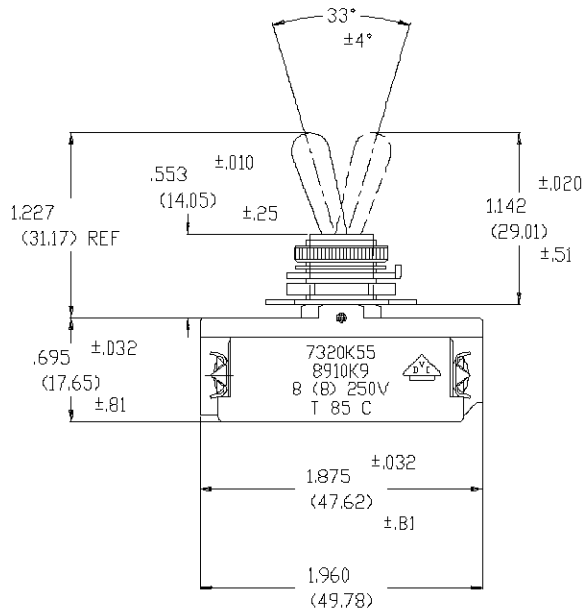
B

91-614



NOTES:

1. MOUNTING HARDWARE TO BE SHIPPED UNASSEMBLED.

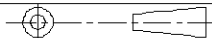


THIS DOCUMENT IS THE PROPERTY OF EATON CORP. IT'S CONTENTS ARE PROPRIETARY AND CONFIDENTIAL AND SHALL NOT BE DISCLOSED TO ANY UNAUTHORIZED PERSON, COPIED OR PUBLISHED WITHOUT EATON'S PRIOR WRITTEN CONSENT.

MAX OVER SPRUE

ORDER NO. 93719990

THIRD ANGLE PROJECTION



TITLE: DIM DWG DOUBLE INSULATED TOOL HANDLE SWITCH - 8910K9		SURFACE COATING	
DR: 2/22/96	SCALE		ECN02089605
DHK:	DO NOT SCALE DRAWING		SUP'S
APP:			SUP'D BY