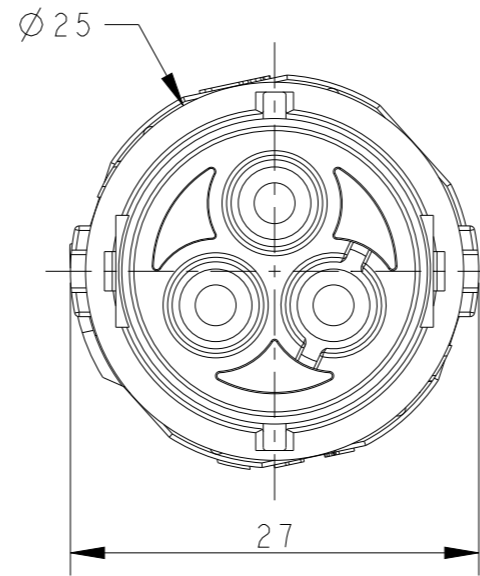
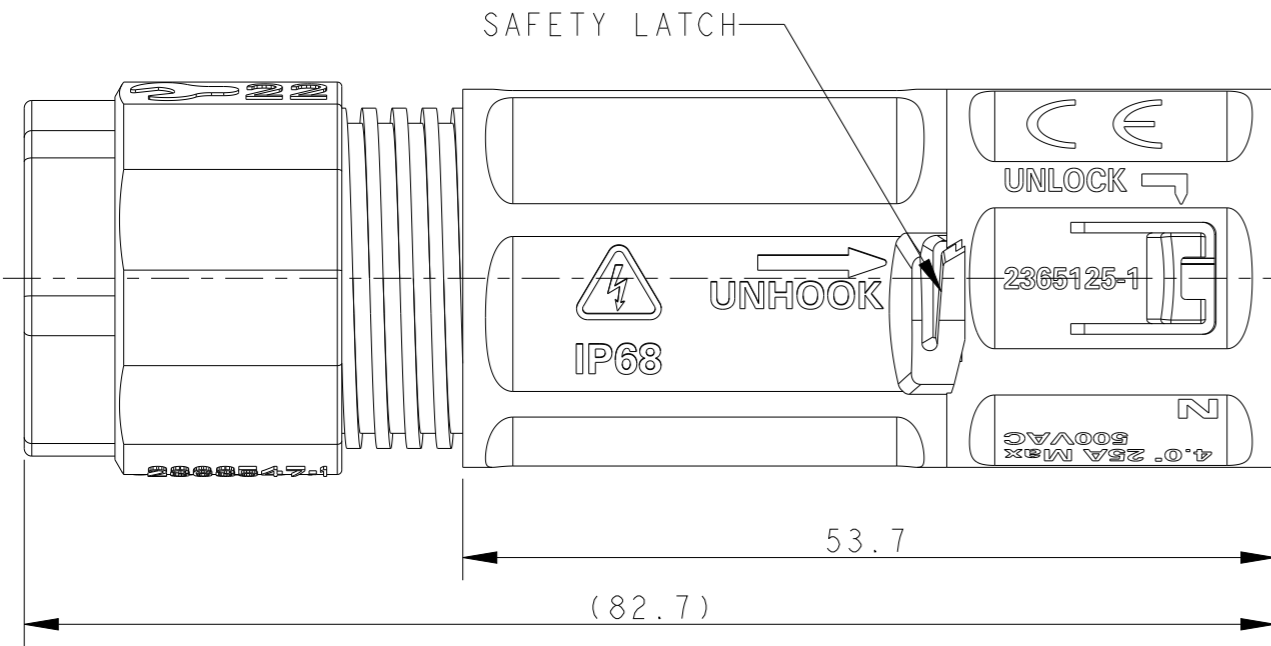


P	LTR	DESCRIPTION	DATE	DWN	APVD
3		DRAFTING UPDATE	29OCT2020	SM	MZ
A		PRODUCT UNDER TESTING	24NOV2020	SM	MZ
A1		18AWG WIRE SIZE ADDED	27JAN2022	DM	SM
A2		RELEASED	18MAR2022	SM	MZ



NOTES:

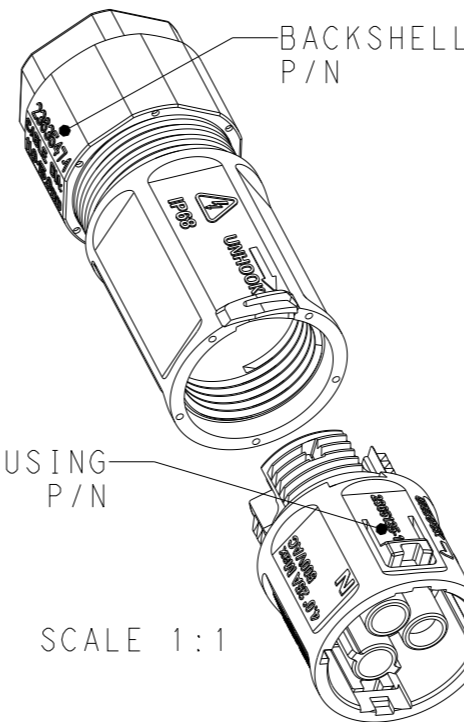
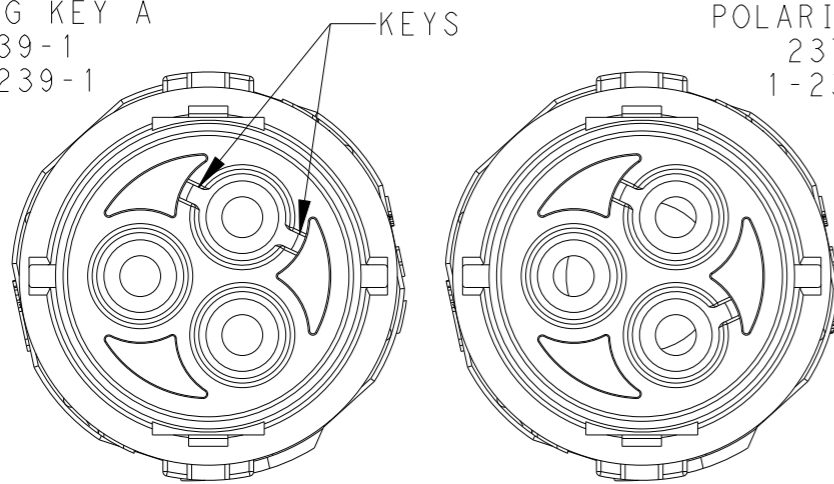
1 CONTACTS SUPPLIED SEPARATELY ON REELS, MUST PURCHASED ACCORDING TO WIRE SIZES. BELOW ARE THE CONTACT PART NUMBERS:

CONTACT P/N	WIRE SIZE
2359527-1	1.5mm ² TO 2.5mm ² 16AWG TO 14AWG
2359527-2	4.0mm ² 12AWG
2359527-3	18AWG

- MATERIALS:
PLASTICS: PBT+PC ALLOY, UL-V0, UV-F1
CONTACTS: COPPER ALLOY, TIN PLATED
SCREWS : STAINLESS STEEL
- OPERATING RATINGS :
VOLTAGE (max): 600Vac Max
CURRENT (max): 25A ON 4.0mm² & 20A ON 12AWG
TEMPERATURE : -40°C TO 85°C
IP RATING : IP67 & IP68
- FOR ASSEMBLY INSTRUCTIONS, REFER APPLICATION SPECIFICATION 114-133123
- PACKAGING: PPQ 200 pcs IN TRAY

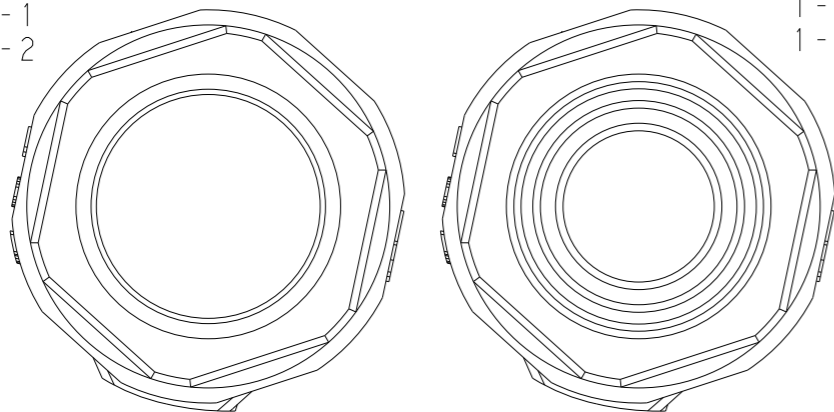
POLARIZING KEY A
2379239-1
1-2379239-1

POLARIZING KEY B
2379239-2
1-2379239-2



BACKSHELL FOR
2379239-1
2379239-2

BACKSHELL FOR
1-2379239-1
1-2379239-2



BACKSHELL P/N	HOUSING ASSY P/N	POLARIZING KEY	CABLE RANGE	DESCRIPTION	PART NUMBER
2363547-2	2365125-2	KEY B	Ø7 - Ø10	IN-LINE SOCKET CONNECTOR	1-2379239-2
	2365125-1	KEY A			1-2379239-1
2363547-1	2365125-2	KEY B	Ø10.5 - Ø15		2379239-2
	2365125-1	KEY A			2379239-1

THIS DRAWING IS A CONTROLLED DOCUMENT.

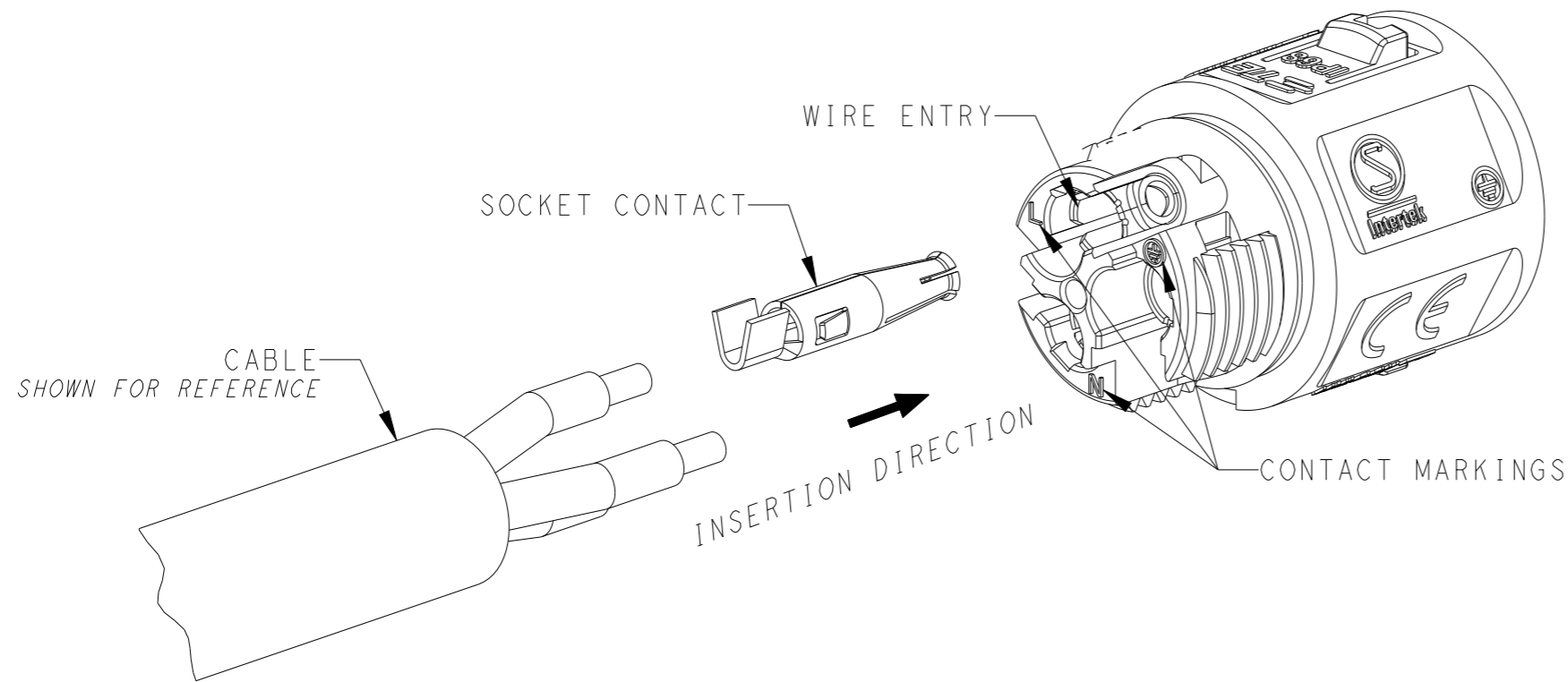
DIMENSIONS: mm	TOLERANCES UNLESS OTHERWISE SPECIFIED: 0 PLC ±0.2 1 PLC ±0.2 2 PLC ±0.1 3 PLC ± 4 PLC ± ANGLES ±1°	MATERIAL -	FINISH -	DWN SUBHASH. M 28AUG2020 CHK M. ZUCCA 28AUG2020 APVD PETER OTT 24NOV2020 PRODUCT SPEC 108-133123 APPLICATION SPEC 114-133123 WEIGHT -	NAME NECTOR T, 3Pos, SOCKET CONNECTOR CRIMP TYPE	SIZE A3	CAGE CODE 00779	DRAWING NO C-2379239	RESTRICTED TO -
CUSTOMER DRAWING				SCALE 2:1	SHEET 1 OF 2	REV A2			



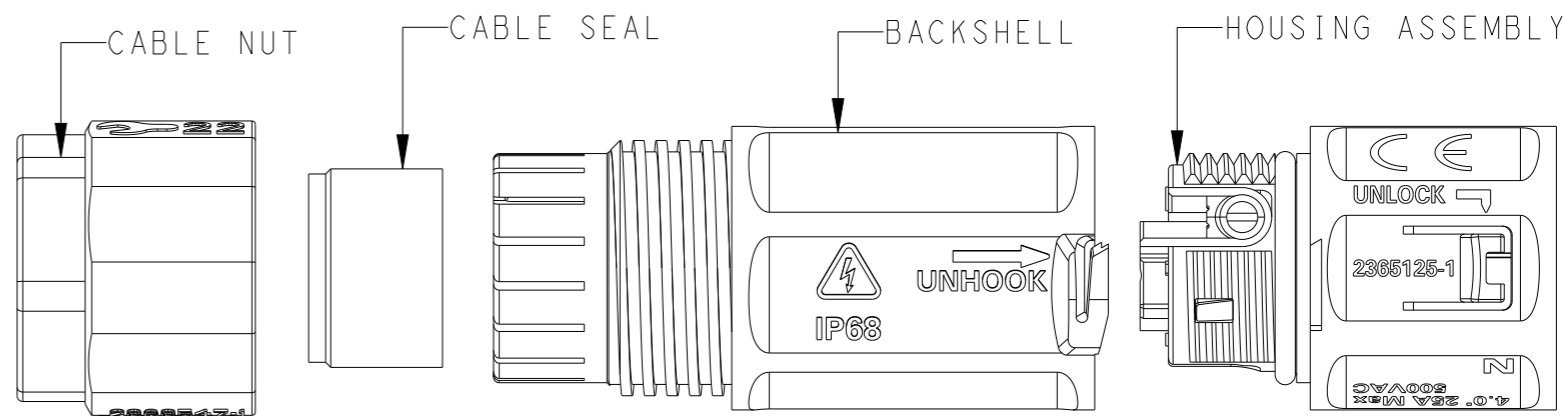
REVISIONS

P	LTR	DESCRIPTION	DATE	DWN	APVD
-	-	SEE SHEET 1	-	-	-

CRIMP TERMINATION
 REFER 114-133123 FOR DETAILED INSTRUCTION
 NOT TO SCALE



EXPLODED COMPONENTS
 NOT TO SCALE



THIS DRAWING IS A CONTROLLED DOCUMENT.		DWN SUBHASH. M 28AUG2020														
		CHK M. ZUCCA 28AUG2020														
		APVD PETER.OTT 24NOV2020	NAME NECTOR T, 3Pos, SOCKET CONNECTOR CRIMP TYPE													
DIMENSIONS: mm		PRODUCT SPEC 108-133123	RESTRICTED TO													
TOLERANCES UNLESS OTHERWISE SPECIFIED:		APPLICATION SPEC 114-133123	SIZE A3	CAGE CODE 00779												
<table border="0"> <tr> <td>0 PLC</td> <td>±0.2</td> </tr> <tr> <td>1 PLC</td> <td>±0.2</td> </tr> <tr> <td>2 PLC</td> <td>±0.1</td> </tr> <tr> <td>3 PLC</td> <td>±</td> </tr> <tr> <td>4 PLC</td> <td>±</td> </tr> <tr> <td>ANGLES</td> <td>±1°</td> </tr> </table>		0 PLC	±0.2	1 PLC	±0.2	2 PLC	±0.1	3 PLC	±	4 PLC	±	ANGLES	±1°	WEIGHT -	DRAWING NO C-2379239	SCALE 2:1
0 PLC	±0.2															
1 PLC	±0.2															
2 PLC	±0.1															
3 PLC	±															
4 PLC	±															
ANGLES	±1°															
MATERIAL -	FINISH -	CUSTOMER DRAWING	SHEET 2 OF 2	REV A2												