

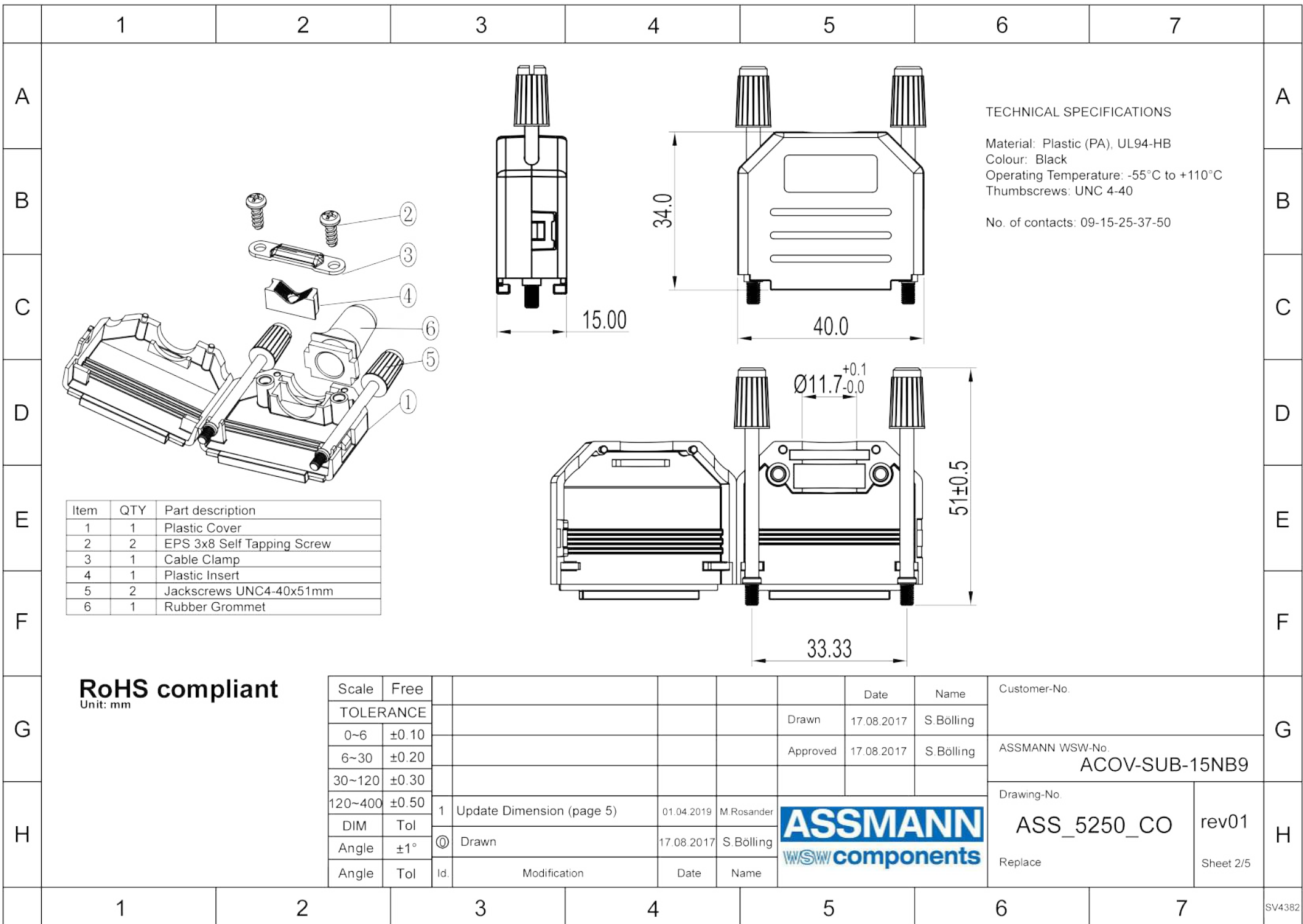
TECHNICAL SPECIFICATIONS

Material: Plastic (PA), UL94-HB  
 Colour: Black  
 Operating Temperature: -55°C to +110°C  
 Thumbscrews: UNC 4-40  
 No. of contacts: 09-15-25-37-50

Item	QTY	Part description
1	1	Plastic Cover
2	2	EPS 3x8 Self Tapping Screw
3	1	Cable Clamp
4	1	Plastic Insert
5	2	Jackscrews UNC4-40x51mm
6	1	Rubber Grommet

**RoHS compliant**  
 Unit: mm

Scale	Free					Date	Name	Customer-No.
TOLERANCE						Drawn	17.08.2017	S.Bölling
0~6	±0.10					Approved	17.08.2017	S.Bölling
6~30	±0.20							ASSMANN WSW-No. ACOV-SUB-09NB9
30~120	±0.30							Drawing-No.
120~400	±0.50	1	Update Dimension (page 5)	01.04.2019	M.Rosander			ASS_5250_CO
DIM	Tol	©	Drawn	17.08.2017	S.Bölling			rev01
Angle	±1°							Replace
Angle	Tol	Id.	Modification	Date	Name			Sheet 1/5



TECHNICAL SPECIFICATIONS

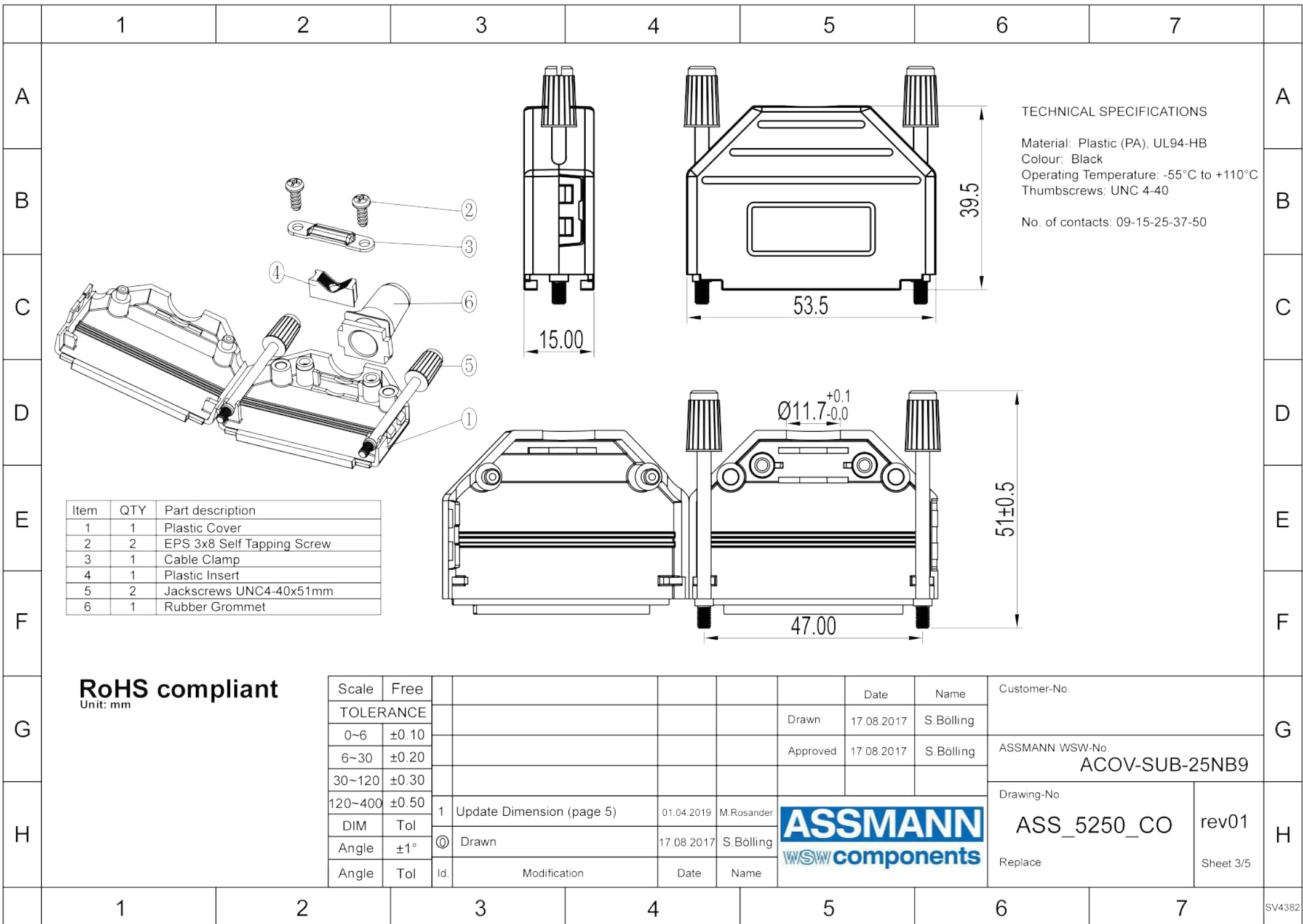
Material: Plastic (PA), UL94-HB  
 Colour: Black  
 Operating Temperature: -55°C to +110°C  
 Thumbscrews: UNC 4-40

No. of contacts: 09-15-25-37-50

Item	QTY	Part description
1	1	Plastic Cover
2	2	EPS 3x8 Self Tapping Screw
3	1	Cable Clamp
4	1	Plastic Insert
5	2	Jackscrews UNC4-40x51mm
6	1	Rubber Grommet

**RoHS compliant**  
 Unit: mm

Scale	Free					Date	Name	Customer-No.
TOLERANCE						Drawn	17.08.2017	S. Bölling
0~6	±0.10					Approved	17.08.2017	S. Bölling
6~30	±0.20							ASSMANN WSW-No. ACOV-SUB-15NB9
30~120	±0.30							Drawing-No.
120~400	±0.50	1	Update Dimension (page 5)	01.04.2019	M. Rosander			ASS_5250_CO
DIM	Tol	Ⓞ	Drawn	17.08.2017	S. Bölling			rev01
Angle	±1°							Replace
Angle	Tol	Id.	Modification	Date	Name			Sheet 2/5

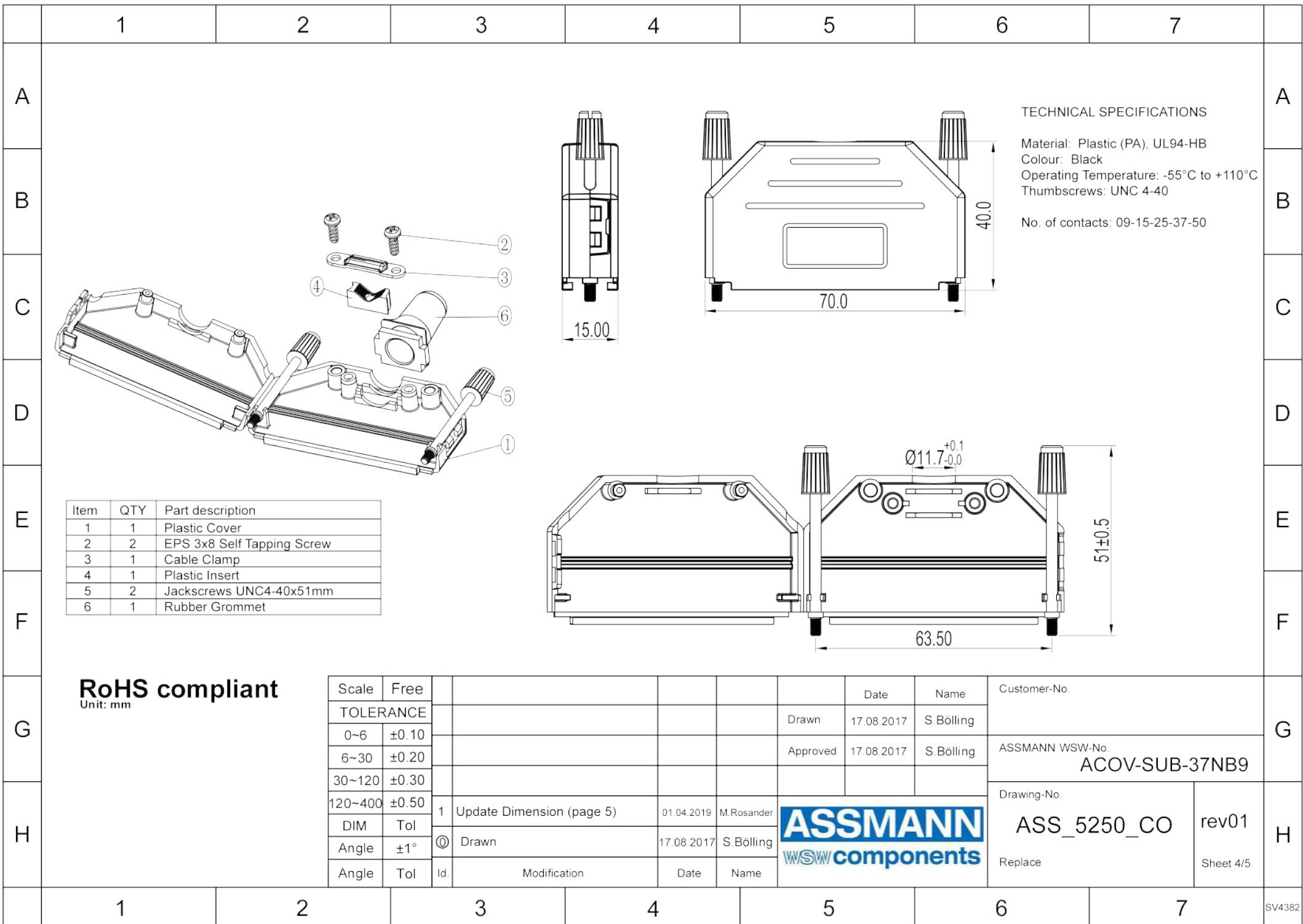


Item	QTY	Part description
1	1	Plastic Cover
2	2	EPS 3x8 Self Tapping Screw
3	1	Cable Clamp
4	1	Plastic Insert
5	2	Jack screws UNC4-40x51mm
6	1	Rubber Grommet

**RoHS compliant**  
Unit: mm

Scale	Free					Date	Name	Customer-No.
TOLERANCE						Drawn	17.08.2017	S. Bölling
0~6	±0.10					Approved	17.08.2017	S. Bölling
6~30	±0.20							ASSMANN WSW-No. ACOV-SUB-25NB9
30~120	±0.30							Drawing-No.
120~400	±0.50	1	Update Dimension (page 5)	01.04.2019	M. Rosander			ASS_5250_CO
DIM	Tol	Ⓞ	Drawn	17.08.2017	S. Bölling			rev01
Angle	±1°							Sheet 3/5
Angle	Tol	Id.	Modification	Date	Name	Replace		

**TECHNICAL SPECIFICATIONS**  
 Material: Plastic (PA), UL94-HB  
 Colour: Black  
 Operating Temperature: -55°C to +110°C  
 Thumbscrews: UNC 4-40  
 No. of contacts: 09-15-25-37-50




**TECHNICAL SPECIFICATIONS**

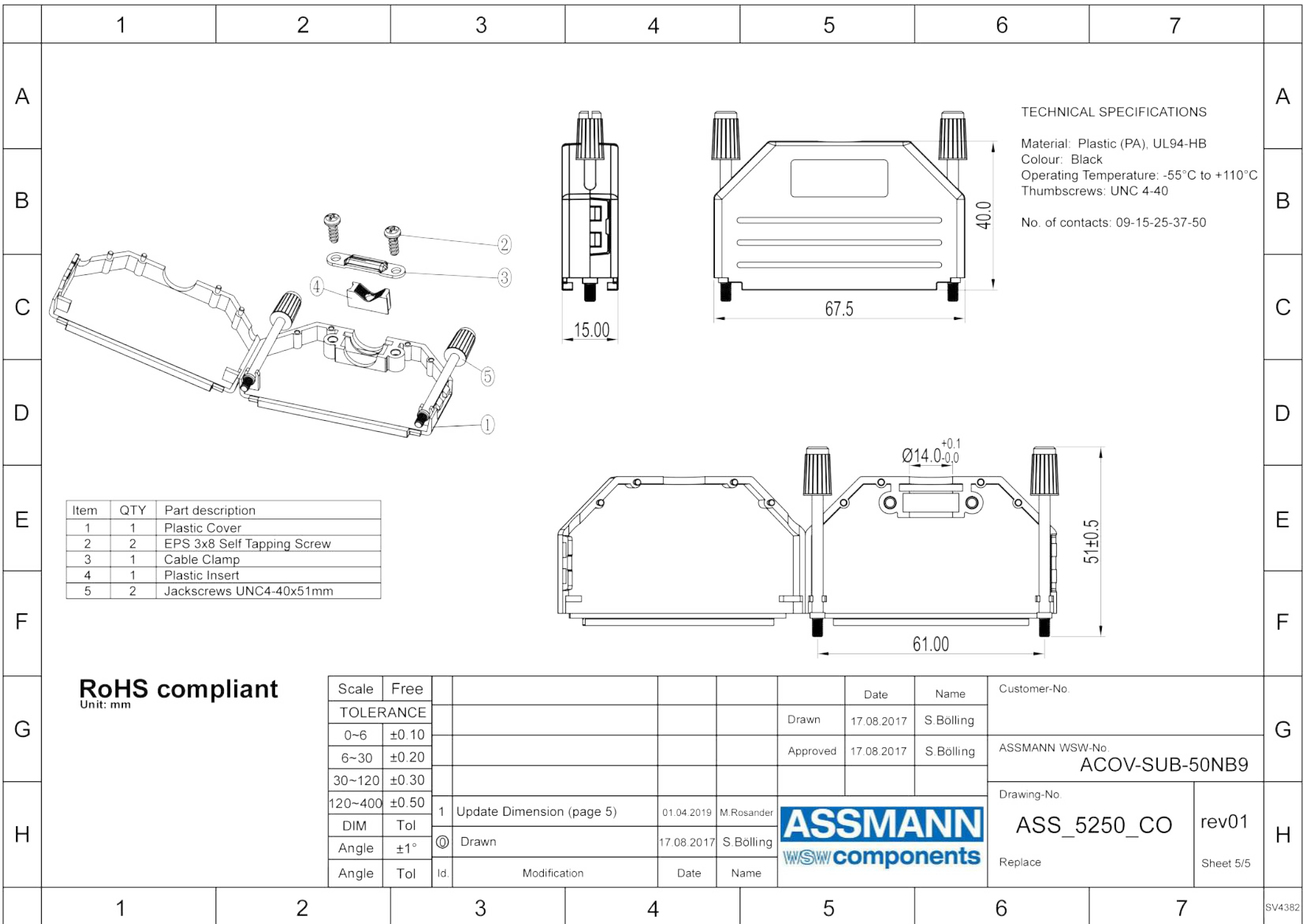
Material: Plastic (PA), UL94-HB  
 Colour: Black  
 Operating Temperature: -55°C to +110°C  
 Thumbscrews: UNC 4-40  
 No. of contacts: 09-15-25-37-50

Item	QTY	Part description
1	1	Plastic Cover
2	2	EPS 3x8 Self Tapping Screw
3	1	Cable Clamp
4	1	Plastic Insert
5	2	Jackscrews UNC4-40x51mm
6	1	Rubber Grommet

**RoHS compliant**  
 Unit: mm

Scale	Free					Date	Name	Customer-No.
TOLERANCE						Drawn	17.08.2017	S.Bölling
0~6	±0.10					Approved	17.08.2017	S.Bölling
6~30	±0.20							
30~120	±0.30							
120~400	±0.50	1	Update Dimension (page 5)	01.04.2019	M.Rosander			
DIM	Tol	ⓐ	Drawn	17.08.2017	S.Bölling			
Angle	±1°							
Angle	Tol	ld.	Modification	Date	Name			

ASSMANN WSW-No. <b>ACOV-SUB-37NB9</b>	
Drawing-No. <b>ASS_5250_CO</b>	rev01
Replace	Sheet 4/5




**TECHNICAL SPECIFICATIONS**

Material: Plastic (PA), UL94-HB  
 Colour: Black  
 Operating Temperature: -55°C to +110°C  
 Thumbscrews: UNC 4-40  
 No. of contacts: 09-15-25-37-50

Item	QTY	Part description
1	1	Plastic Cover
2	2	EPS 3x8 Self Tapping Screw
3	1	Cable Clamp
4	1	Plastic Insert
5	2	Jackscrews UNC4-40x51mm

**RoHS compliant**  
 Unit: mm

Scale	Free					Date	Name	Customer-No.
TOLERANCE						Drawn	17.08.2017	S.Bölling
0~6	±0.10					Approved	17.08.2017	S.Bölling
6~30	±0.20							
30~120	±0.30							
120~400	±0.50	1	Update Dimension (page 5)	01.04.2019	M.Rosander			
DIM	Tol	Ⓞ	Drawn	17.08.2017	S.Bölling			
Angle	±1°							
Angle	Tol	Id.	Modification	Date	Name			

ASSMANN WSW-No. <b>ACOV-SUB-50NB9</b>	
Drawing-No. <b>ASS_5250_CO</b>	rev01
Replace	Sheet 5/5