

6

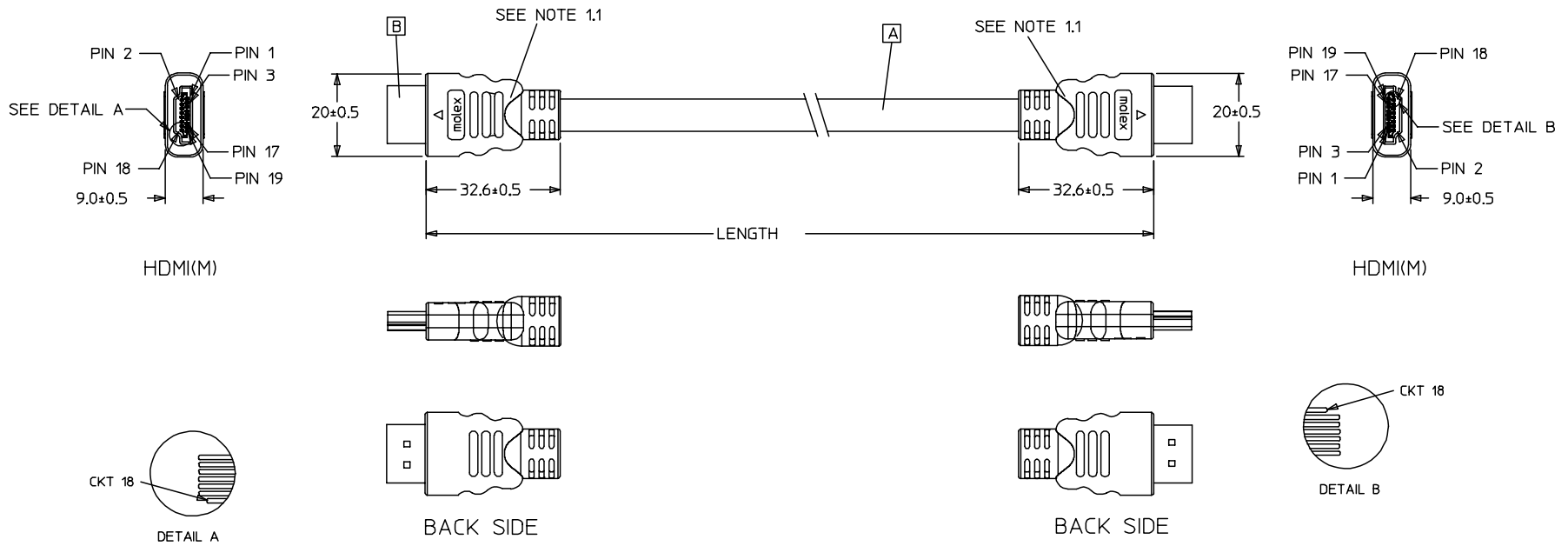
5

4

3

2

1



88764-3810	HDMI TO HDMI CABLE ASS'Y,10M	10000 ± 200	BLACK	9.2MM(TMDS - AWG#24)
88764-3830	HDMI TO HDMI CABLE ASS'Y,30M	30000 ± 600	BLACK	9.2MM(TMDS - AWG#24)
88764-3820	HDMI TO HDMI CABLE ASS'Y,20M	20000 ± 400	BLACK	9.2MM(TMDS - AWG#24)
MX P/N	DESCRIPTION	LENGTH	CABLE COLOR	CABLE OD

EC NO. C2004-6449 DRWN: 04/03/29 CHK: APPR:	DESCRIPTION	QUALITY SYMBOLS MAJOR ▼ = 0 CRITICAL ▽ = 0	GENERAL TOLERANCES: (UNLESS SPECIFIED)		SCALE	DESIGN UNITS	THIRD ANGLE PROJECTION	REVISIONS		
			mm	INCH	N.S.T	<input checked="" type="checkbox"/> mm <input type="checkbox"/> INCH		<input type="checkbox"/> mm <input type="checkbox"/> INCH	<input checked="" type="checkbox"/> mm ONLY	SHT
A	REV	4 PLACES	∅.	∅.	DRAWN BY & DATE PDAI 04/03/10	<input checked="" type="checkbox"/> mm <input type="checkbox"/> INCH	◎	TITLE: HDMI(M) TO HDMI(M) CABLE ASS'Y		
		3 PLACES	∅.	∅.				CHECKED BY & DATE LPNING 04/03/10	MOLEX INCORPORATED	
		2 PLACES	∅.	∅.	APPROVED BY & DATE GWEI 04/03/10			MATERIAL NO. SEE TABLE	DRAWING NO. RSD-88764-003	SHEET NO. 1 OF 2
		1 PLACE	∅.	∅.	CAD FILENAME J6438-xx.MI					SIZE A4
ANGULAR: \ °										
THIS DRAWING CONTAINS INFORMATION THAT IS PROPRIETARY TO MOLEX INCORPORATED AND SHOULD NOT BE USED WITHOUT WRITTEN PERMISSION.										

6

5

4

3

2

1

NOTE:

1.OVERMOLD SPECIFICATION:

- 1.1 HDMI INNER MOLDED WITH PE RESIN;
- HDMI OUTER MOLDED WITH PVC RESIN;

3. PRODUCT ELECTRICAL SPECIFICATION:

- ▽ 2.1 HI-POT VOLTAGE: 300V AC FOR 10mS.
 - ▽ 3.2 INSULATION RESISTANCE: 10 MEGA Ohms MIN.
 - ▽ 3.3 CONTACT RESISTANCE: 5 OHMS MAX. FOR 10M CABLE;
10 OHMS MAX.FOR 20M CABLE.
15 OHMS MAX.FOR 30M CABLE.
 - ▽ 3.4 DIFFERENTIAL LINES CHARACTERISTIC IMPEDANCE: 100±7 Ohms @TDR.
 - 3.5 SIGNALS CROSSTALK(FEXT) :5% (MAX.) PER ANSI/EIA-364-90
4. CABLE CONSTRUCTION:
(AWG#24*1P+D)*4 + AWG#24*1P + AWG#24*5C), 9.2MMOD

WIRE DIAGRAM:

SHIELD	SHIELD	OVERALL SHIELD	GROUND
PIN 19	PIN 19	PINK	HOT PLUG DETECT
PIN 18	PIN 18	ORANGE	+5V POWER
PIN 17	PIN 17	YELLOW	DDC/CEC GROUND
PIN 16	PIN 16	WHITE	SDA
PIN 15	PIN 15	RED	SCL
PIN 14	PIN 14	VIOLET	RESERVED
PIN 13	PIN 13	GRAY	CEC
PIN 12	PIN 12	WHITE	TMDS CLOCK-
PIN 11	PIN 11	BRAID	TMDS CLOCK SHIELD
PIN 10	PIN 10	WHITE/BLACK	TMDS CLOCK+
PIN 9	PIN 9	WHITE	TMDS DATA 0-
PIN 8	PIN 8	BRAID	TMDS DATA 0 SHIELD
PIN 7	PIN 7	WHITE/BLUE	TMDS DATA 0+
PIN 6	PIN 6	WHITE	TMDS DATA 1-
PIN 5	PIN 5	BRAID	TMDS DATA 1 SHIELD
PIN 4	PIN 4	WHITE/GREEN	TMDS DATA 1+
PIN 3	PIN 3	WHITE	TMDS DATA 2-
PIN 2	PIN 2	BRAID	TMDS DATA 2 SHIELD
PIN 1	PIN 1	WHITE/RED	TMDS DATA 2+
HDMI	HDMI	COLOR	CABLE FUNCTION

B	HDMI HOUSING ASSY'		2
A	HDMI SINGLE LINK CABLE		1
ITEM	DESCRIPTION	L	QTY.

EC NO. C2004-6449 DRWN: 04/03/29 CHK: APPR:	DESCRIPTION	QUALITY SYMBOLS	GENERAL TOLERANCES: (UNLESS SPECIFIED)	SCALE N.S.T	DESIGN UNITS <input checked="" type="checkbox"/> mm <input type="checkbox"/> INCH	THIRD ANGLE PROJECTION	<input type="checkbox"/> mm <input type="checkbox"/> INCH <input checked="" type="checkbox"/> mm ONLY	SHT	REV
		MAJOR ▼ - 0 CRITICAL ▽ - 4	mm INCH	DRAWN BY & DATE PDAI 04/03/10	TITLE: HDMI(M) TO HDMI(M) CABLE ASS'Y	REVISE ON CAD ONLY			
A	REV	4 PLACES	ANGULAR: \ °	CHECKED BY & DATE LPNING 04/03/10	APPROVED BY & DATE GWEI 04/03/10	MOLEX INCORPORATED		SHEET NO.	2 OF 2
				CAD FILENAME J6438-xx.MI	MATERIAL NO. SEE TABLE	DRAWING NO. RSD-88764-003	THIS DRAWING CONTAINS INFORMATION THAT IS PROPRIETARY TO MOLEX INCORPORATED AND SHOULD NOT BE USED WITHOUT WRITTEN PERMISSION.		SIZE A4