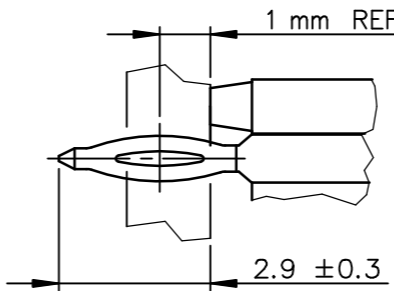
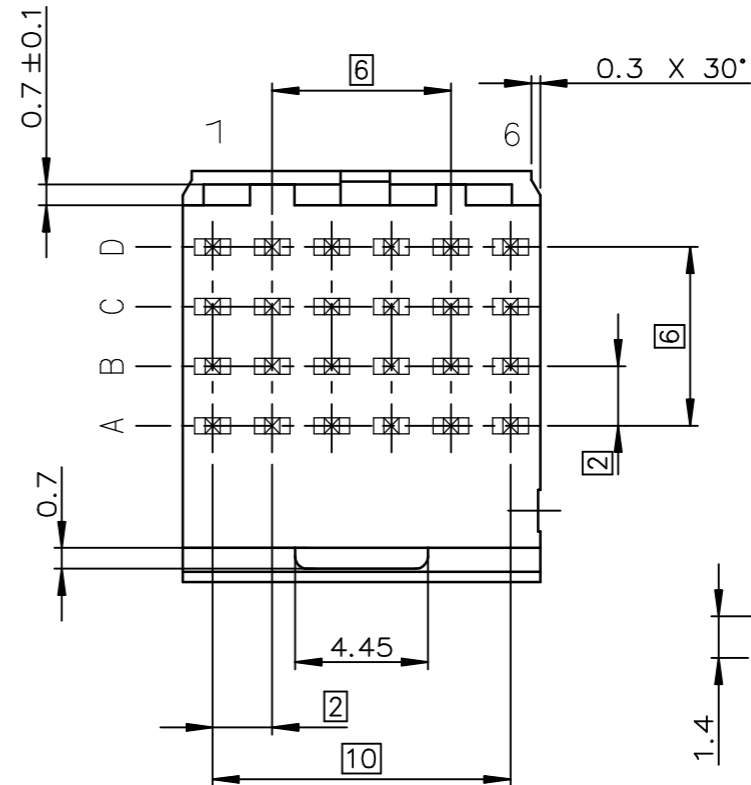
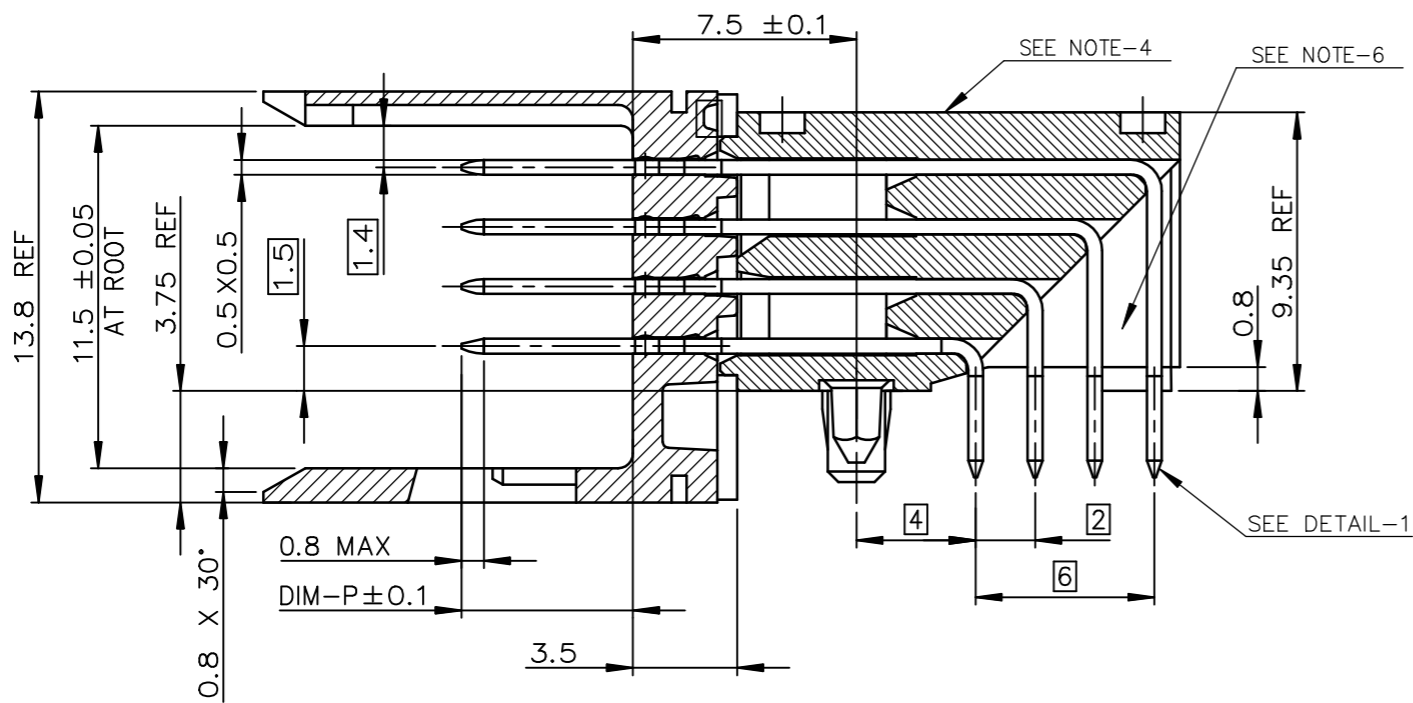


DETAIL-1: PRESS-FIT TAIL



NOTES:

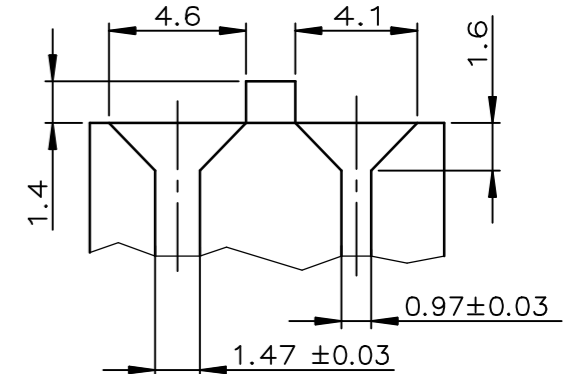
1. MATERIAL : BODY : LCP UL94-V0
: CONTACT : COPPER ALLOY.
2. FOR PLATING PERFORMANCE REFER DRAWING # 10159408
3. GENERAL CHARACTERISTICS ACCORDING TO GS-12-445
4. FLAT ROCK TOOL FOR PCB INSERTION.
5. EYE OF THE NEEDLE PRESS-FIT TYPE.
6. CENTRAL WALL WITH END REAR SUPPORT.
7. STANDARD PACKAGING IS TUBE ,BUT IF SUFFIX "P" IS ADDED IN P/N,PACKAGING IS IN TRAYS,MARKING IS WITHOUT "P"
Example:58363-1xxPLF ,marking 58363-1xxLF
8. THIS PRODUCT MEETS EUROPEAN UNION DIRECTIVES AND OTHER COUNTRY REGULATIONS AS DESCRIBED IN GS-47- 0004.
9. A Δ SYMBOL WILL BE NEXT TO ANY DIMENSION, VIEW, OR NOTE WHICH HAS BEEN MODIFIED WITH THE CURRENT DRAWING REVISION.



REFER NOTE-2

58363-XY YLF

DETAIL-3: MATING SLOTS



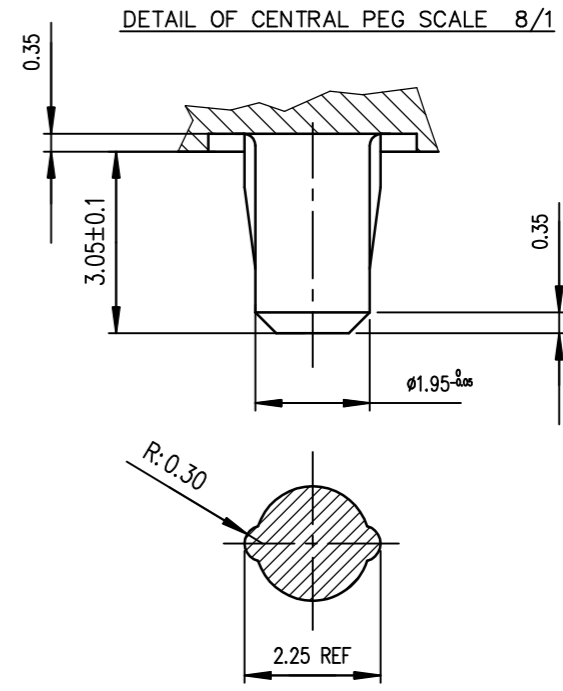
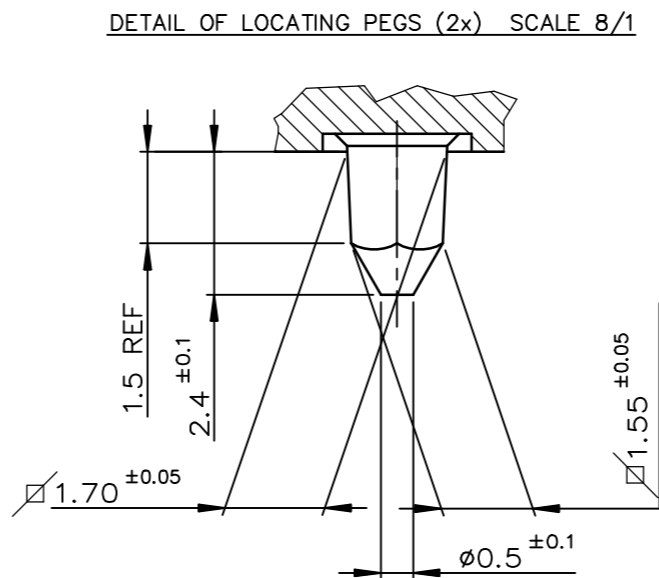
GENERAL CHARACTERISTICS AND ROHS INFORMATIONS:

SEE PRODUCT SPECIFICATION GS-12-445

OTHERS INFORMATIONS,SEE DRW 58363-2

mat'l. code		surface		tolerance		projection		product family	
		ISO 1302		ISO 406		ISO 101		METRAL	
ltr		ecn no	dr	date	tolerances unless otherwise specified		title		
D	LS07-0134	MLE		2007-05-11	angles	.X±0.3	METRAL RA HDR PFIT CONV.		
E	DG-012008-1	QINDF		2012-06-25	linear	.XX±0.13	NB 4x6 - PUSH PEG		
F	ELX-I-38990	MINI		2020-11-17	0°±2°	.XXX±0.050	scale -		
G	ELX-I-45381	NIRMAL		2022-07-12	dr	CHAMPION	2003-07-15	dwg no	
				engr		NIRMAL SAM	2022-07-12	sheet 1 of 2	
				chr		ALEX BABU	2022-07-12	size	
				appd		SANOJ	2022-07-12	A3	
sheet index		revision sheet		G	G			type	
				1	2			Product Customer Drawing	

PART NUMBER / CONTACT LOADING					
DIM-P ±0.10				PART NUMBER	LOADING CONFIGURATION
ROW-A	ROW-B	ROW-C	ROW-D		
5.00	5.00	5.00	5.00	58363-X01LF	FULLY LOADED
5.00	5.75	5.00	5.00	58363-X02LF	
5.00	5.75	6.50	5.00	58363-X03LF	
5.00	5.00	6.50	5.00	58363-X04LF	
5.75	5.75	5.75	5.75	58363-X05LF	
6.50	5.75	5.00	5.75	58363-X06LF	
6.50	6.50	6.50	5.75	58363-X07LF	
6.50	5.75	6.50	5.75	58363-X08LF	
6.50	5.00	5.00	5.00	58363-X09LF	
5.00	5.00	5.00	5.00	58363-X11LF	SEE TABLE-3
5.00	5.00	5.00	5.00	58363-X21LF	SEE TABLE-3

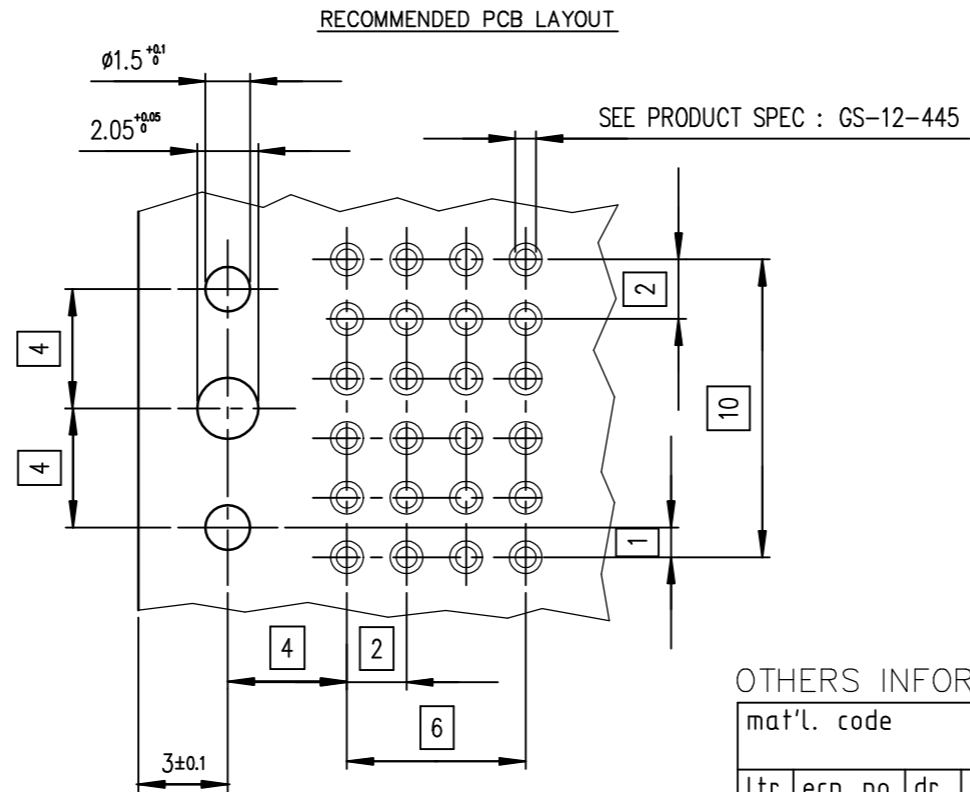


PRODUCT NUMBER	ROW	6	5	4	3	2	1
58363-X11LF	D	X	-	X	X	X	X
	C	X	-	X	X	X	X
	B	-	-	X	X	-	-
	A	X	-	X	X	-	X

PRODUCT NUMBER	ROW	6	5	4	3	2	1
58363-X21LF	D	X	-	X	-	X	-
	C	-	X	-	X	-	X
	B	X	-	X	-	X	-
	A	-	X	-	X	-	X

LOADING PATTERN	
X	LOADED
-	NOT LOADED

TABLE-3



OTHERS INFORMATIONS,SEE DRW 58363-1

mat'l. code	surface ISO 1302 ✓	tolerance ISO 406 ISO 101	projection	product family METRAL
ltr	ecn no	dr	date	tolerances unless otherwise specified
D	LS07-0134	MLE	2007-05-11	angles linear .X±0.3
E	DG-012008-1	QINDF	2012-06-25	.XX±0.13
F	ELX-I-38990	MINI	2020-11-17	0°±2° .XXX±0.050
G	ELX-I-45381	NIRMAL	2022-07-12	scale -
engr CHAMPION 2003-07-15				dwg no sheet 2 of 2 size
engr NIRMAL SAM 2022-07-12				58363 A3
chr ALEX BABU 2022-07-12				type Product Customer Drawing
appd SANUJ 2022-07-12				
sheet index	revision sheet	G 1	G 2	

Amphenol FCI

© 2016 AFCl