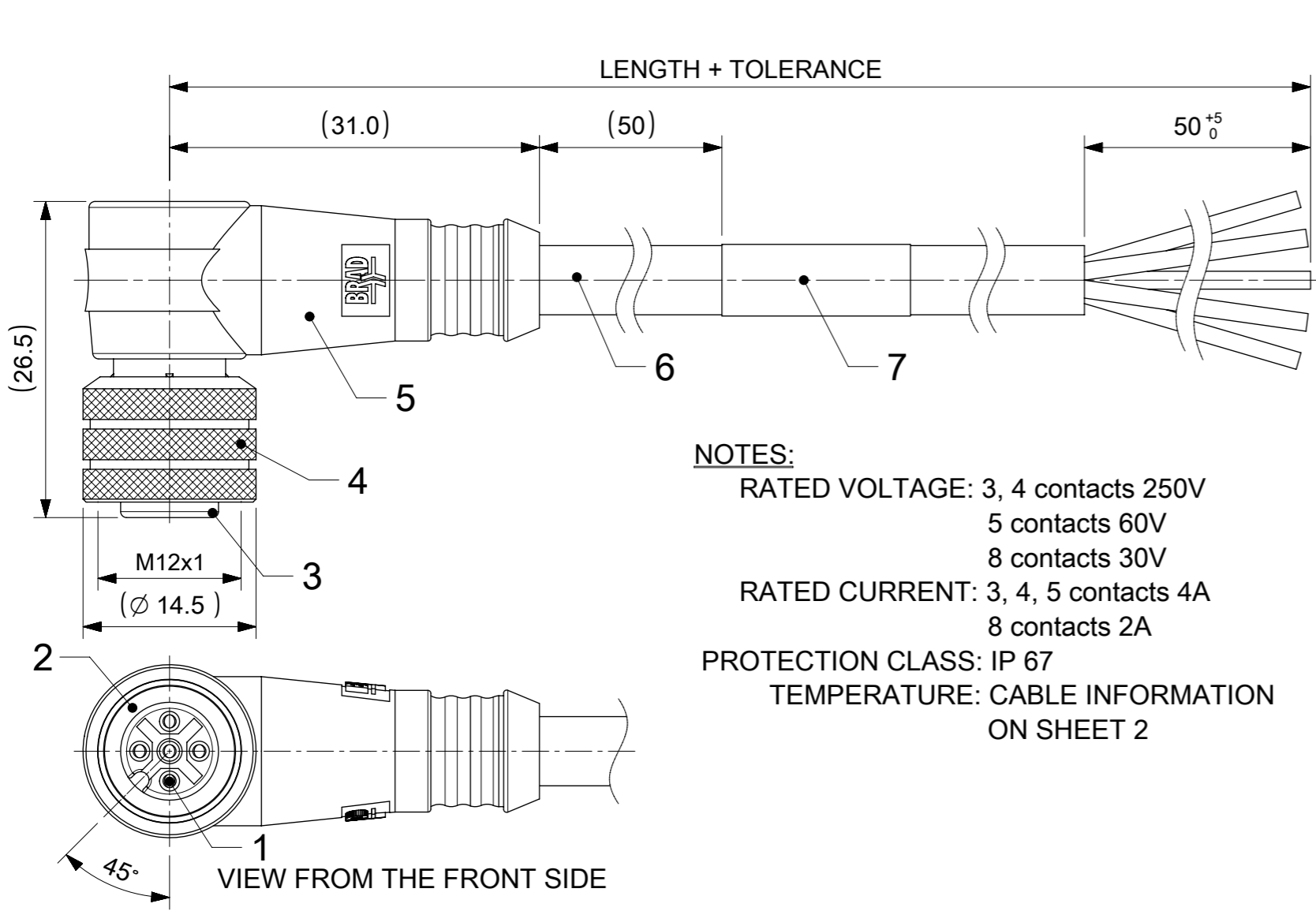
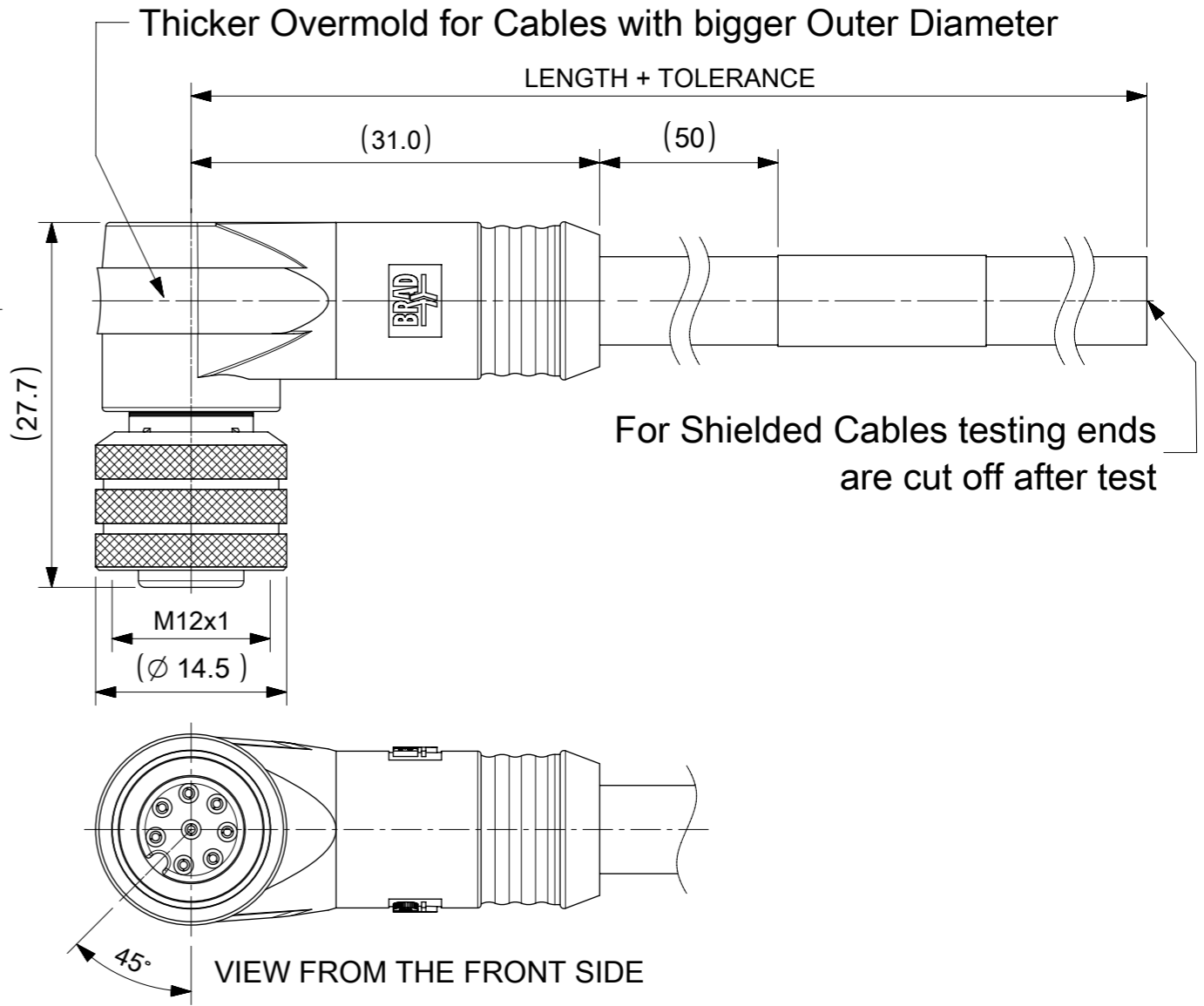


# FEMALE PLUG M12 90° ANGLED



**NOTES:**  
 RATED VOLTAGE: 3, 4 contacts 250V  
 5 contacts 60V  
 8 contacts 30V  
 RATED CURRENT: 3, 4, 5 contacts 4A  
 8 contacts 2A  
 PROTECTION CLASS: IP 67  
 TEMPERATURE: CABLE INFORMATION ON SHEET 2



## C CONTACTS POSITION FRONT VIEW:

| 3 CONTACTS |                       | 4 CONTACTS |       | 5 CONTACTS |                      | 8 CONTACTS |        |
|------------|-----------------------|------------|-------|------------|----------------------|------------|--------|
|            |                       |            |       |            |                      |            |        |
| PIN        | WIRE                  | PIN        | WIRE  | PIN        | WIRE                 | PIN        | WIRE   |
| 1          | BROWN                 | 1          | BROWN | 1          | BROWN                | 1          | WHITE  |
| 2          | ---                   | 2          | WHITE | 2          | WHITE                | 2          | BROWN  |
| 3          | BLUE                  | 3          | BLUE  | 3          | BLUE                 | 3          | GREEN  |
| 4          | BLACK or YELLOW/GREEN | 4          | BLACK | 4          | BLACK                | 4          | YELLOW |
| 5          | ---                   | 5          | ---   | 5          | GREY or YELLOW/GREEN | 5          | GREY   |
|            |                       |            |       |            |                      | 6          | PINK   |
|            |                       |            |       |            |                      | 7          | BLUE   |
|            |                       |            |       |            |                      | 8          | RED    |

## FOR OPTIONS SEE - NUMERICAL CODE - ON SHEET 2

| ITEM | QTY.          | DESCRIPTION             | MATERIAL    | FINISH               |
|------|---------------|-------------------------|-------------|----------------------|
| 7    | 1             | LABEL YELLOW            | VINYL       | ---                  |
|      | -             | PRINTING FOR CABLES lxx | ---         | ---                  |
| 6    | -             | CABLE                   | SEE SHEET 2 | ---                  |
| 5    | -             | OVERMOLDING BLACK       | TPU         | ---                  |
| 4    | 1             | COUPLING NUT FEMALE     | BRASS       | NICKEL               |
| 3    | 1             | INSERT FEMALE BLACK     | PUR         | ---                  |
| 2    | 1             | ORING RED               | FPM         | ---                  |
| 1    | 3 / 4 / 5 / 8 | CONTACT M12 FEMALE      | BRASS       | SELECTIVE Au OVER Ni |

THIS DRAWING CONTAINS INFORMATION THAT IS PROPRIETARY TO MOLEX ELECTRONIC TECHNOLOGIES, LLC AND SHOULD NOT BE USED WITHOUT WRITTEN PERMISSION

DIMENSION UNITS: mm SCALE: 2:1

GENERAL TOLERANCES (UNLESS SPECIFIED):  
 ANGULAR TOL ± 1.0°  
 4 PLACES ±  
 3 PLACES ±  
 2 PLACES ± 0.05  
 1 PLACE ± 0.1  
 0 PLACES ± 0.2

EC NO: 726454  
 DRWN: LIKITV 2022/09/27  
 CHK'D: GGA 2022/11/30  
 APPR: GGA 2022/11/30

INITIAL REVISION:  
 DRWN: JMARSZALEK 2016/01/11  
 APPR: RSILLER 2016/04/08

THIRD ANGLE PROJECTION

DRAFT WHERE APPLICABLE MUST REMAIN WITHIN DIMENSIONS

DOCUMENT NUMBER: 1200658471  
 DOC TYPE: PSD  
 DOC PART: 000  
 REVISION: A12

SHEET NUMBER: 1 OF 5

CSE M12 XP AC FE RA XM SE UNSH

PRODUCT CUSTOMER DRAWING

MOLEX

CODING REQUIRED TO IEC 61076-2-101

|                 |    |              |            |          |
|-----------------|----|--------------|------------|----------|
| DOCUMENT STATUS | P1 | RELEASE DATE | 2022/11/30 | 11:33:43 |
|-----------------|----|--------------|------------|----------|

ENGINEERING NO. - NUMERICAL CODE (Available parts see PART LIST table. Others on request).

8 0 X 0 0 1 X X X X X X X X

80=M12x1 Single ended

Contacts:  
3=3 Contacts  
4=4 Contacts  
5=5 Contacts  
8=8 Contacts

Heads style:  
001=Plug Female  
90° Angled

Cable type: See Table

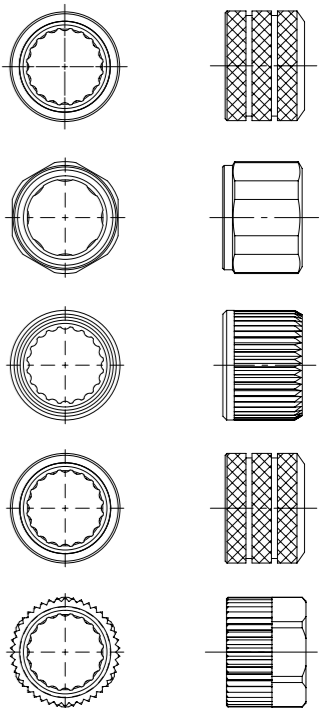
Units:  
M=Meter  
C=Centimeter

Length Examples:  
005=0.5 unit  
010=1 unit  
100=10 units

Overmold color:  
Blank (Standard)=Black TPU  
Blank=Yellow TPU for cables A09,S19,S20,S26  
Blank=Yellow TPE-E for cables K03,K05  
A=Grey / G=Black / Y=Yellow  
Blank=Yellow PVC for cable E13  
Coupling Nut:  
Blank (Standard) & 3=Knurled Brass Ni Plated  
1=Hexagonal Stainless steel  
5=Knurled Derlin  
7=Knurled Brass Ni Plated, Teflon Coated  
Blank=7 for cables I20, I26, K03, K05, P82, S26  
9=Knurled / Hexagonal Brass Ni Plated SW13

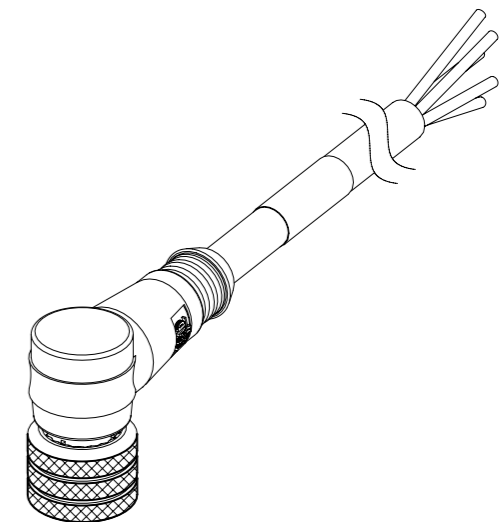


COUPLING NUTS



CABLE INFORMATION (for more information see Cable Data Sheet).

| CABLE TYPE | NO. OF WIRES  | CROSS SECTION       | CABLE JACKET    | UL                    | CSA                      | STATIC: TEMP. / BENDING RADIUS | DYNAMIC: TEMP. / BENDING RADIUS | DRAG CHAIN                                          | SHIELD |
|------------|---------------|---------------------|-----------------|-----------------------|--------------------------|--------------------------------|---------------------------------|-----------------------------------------------------|--------|
| A09        | 3 / 4 / 5     | 0.34mm <sup>2</sup> | PVC YELLOW      | UL 2661               | I/II A/B 90°C/300V       | -                              | -                               | -                                                   | -      |
| E13        | 3             | 18AWG               | PVC YELLOW      | UL 2661/1731          | I/II A/B 80°C/300V       | -                              | -                               | -                                                   | -      |
| E02        | 3 / 4 / 5 / 8 | 0.25mm <sup>2</sup> | PVC BLACK       | UL 2464/1729          | C22.2 I/II A/B 80°C/300V | -30°C to +80°C, 10xO.D.        | -10°C to +80°C, 15xO.D.         | -                                                   | -      |
| E03        | 3 / 4 / 5     | 0.34mm <sup>2</sup> | PVC BLACK       | UL 2464/1729          | C22.2 I/II A/B 80°C/300V | -30°C to +80°C, 10xO.D.        | -10°C to +80°C, 15xO.D.         | -                                                   | -      |
| E52        | 3 / 4 / 8     | 0.34mm <sup>2</sup> | PVC GREY        | -                     | -                        | -30°C to +70°C                 | -5°C to +70°C                   | -                                                   | -      |
| H08        | 3 / 4 / 5 / 8 | 0.25mm <sup>2</sup> | PUR BLACK LS0H  | UL 21198/10493        | C22.2 I/II A/B 80°C/300V | -40°C to +80°C, 5xO.D.         | -25°C to +80°C, 10xO.D.         | 2 000 000 cycles at 20°C, Temp. range +5°C to +60°C | -      |
| H09        | 3 / 4 / 5     | 0.34mm <sup>2</sup> | PUR BLACK LS0H  | UL 21198/10493        | C22.2 I/II A/B 80°C/300V | -40°C to +80°C, 5xO.D.         | -25°C to +80°C, 10xO.D.         | 2 000 000 cycles at 20°C, Temp. range +5°C to +60°C | -      |
| H12        | 4             | 0.50mm <sup>2</sup> | PUR BLACK LS0H  | UL 21198/10493        | C22.2 I/II A/B 80°C/300V | -50°C to +80°C, 5xO.D.         | -25°C to +80°C, 10xO.D.         | 2 000 000, Temp max 60°C                            | -      |
| H69        | 4             | 0.20mm <sup>2</sup> | PUR GREY LS0H   | -                     | -                        | -                              | -                               | -                                                   | -      |
| I02        | 3 / 4 / 8     | 0.25mm <sup>2</sup> | PVC CEI GREY    | -                     | -                        | -30°C to +70°C                 | -5°C to +70°C                   | -                                                   | -      |
| I03        | 3 / 4 / 5     | 0.34mm <sup>2</sup> | PVC CEI GREY    | -                     | -                        | -30°C to +70°C                 | -5°C to +70°C                   | -                                                   | -      |
| I04        | 4             | 0.50mm <sup>2</sup> | PVC CEI GREY    | -                     | -                        | -25°C to +70°C                 | -5°C to +70°C                   | -                                                   | -      |
| I20        | 3 / 4         | 0.34mm <sup>2</sup> | PVC CEI GREY    | -                     | -                        | -30°C to +70°C                 | -5°C to +70°C                   | -                                                   | YES    |
| I26        | 5             | 0.34mm <sup>2</sup> | PVC CEI GREY    | -                     | -                        | -30°C to +70°C                 | -5°C to +70°C                   | -                                                   | -      |
| K03        | 5             | 18 AMG              | TPE YELLOW      | PLTC 105C E470965     | I/II A/B 90°C/300V       | -                              | -                               | -                                                   | -      |
| K05        | 3 / 4 / 5     | 0.34mm <sup>2</sup> | TPE YELLOW      | UL ITC E195601 or PLC | I/II A/B 90°C/300V       | -                              | -                               | -                                                   | -      |
| P02        | 3 / 4 / 5 / 8 | 0.25mm <sup>2</sup> | PUR / PVC BLACK | -                     | -                        | -30°C to +80°C, 7xO.D.         | -5°C to +80°C, 15xO.D.          | -                                                   | -      |
| P03        | 3 / 4 / 5     | 0.34mm <sup>2</sup> | PUR / PVC BLACK | -                     | -                        | -30°C to +80°C, 7xO.D.         | -5°C to +80°C, 15xO.D.          | -                                                   | -      |
| P12        | 3 / 5         | 0.50mm <sup>2</sup> | PUR BLACK       | -                     | -                        | -30°C to +90°C                 | -5°C to +90°C                   | -                                                   | -      |
| P19        | 8             | 0.25mm <sup>2</sup> | PUR BLACK       | -                     | -                        | -40°C to +90°C, 7.5xO.D.       | -15°C to +90°C, 12.5xO.D.       | 2 000 000 cycles, 15xO.D.                           | YES    |
| P20        | 3 / 4 / 5     | 0.34mm <sup>2</sup> | PUR BLACK LS0H  | -                     | -                        | -30°C to +80°C                 | -                               | -                                                   | YES    |
| P82        | 3 / 4 / 5     | 0.34mm <sup>2</sup> | PUR IRR ORANGE  | -                     | -                        | -50°C to +105°C, 5xO.D.        | -40°C to +105°C, 7.5xO.D.       | -                                                   | -      |
| S19        | 8             | 0.25mm <sup>2</sup> | PVC YELLOW      | UL 2661/1569          | C22.2 II A 105°C/300V    | -30°C to +105°C, 10xO.D.       | -15°C to +105°C, 15xO.D.        | -                                                   | YES    |
| S20        | 3 / 4 / 5     | 0.34mm <sup>2</sup> | PVC YELLOW      | UL 2661/1731          | C22.2 II A 105°C/300V    | -30°C to +105°C                | -                               | -                                                   | YES    |
| S26        | 5             | 0.34mm <sup>2</sup> | PVC YELLOW      | UL 2661/1731          | C22.2 II A 105°C/300V    | -30°C to +105°C                | -                               | -                                                   | YES    |



SCALE 1:1

CABLE LENGTH TOLERANCES

| OVER    | UP TO AND INCLUDING | TOLERANCES             |
|---------|---------------------|------------------------|
| 0       | 305mm               | +19mm                  |
| 305mm   | 915mm               | +45mm                  |
| 915mm   | 1830mm              | +56mm                  |
| 1830mm  | 3660mm              | +89mm                  |
| 3660mm  | 7320mm              | +165mm                 |
| 7320mm  | 14640mm             | +317mm                 |
| 14640mm | 30500mm             | +610mm                 |
| 30500mm | >                   | +2% of finished length |

THIS DRAWING CONTAINS INFORMATION THAT IS PROPRIETARY TO MOLEX ELECTRONIC TECHNOLOGIES, LLC AND SHOULD NOT BE USED WITHOUT WRITTEN PERMISSION

|                                                      |        |                                                            |                                |                 |                |
|------------------------------------------------------|--------|------------------------------------------------------------|--------------------------------|-----------------|----------------|
| DIMENSION UNITS                                      | SCALE  | CURRENT REV DESC: OBSOLETE PART NUMBERS AS PER PCN#510807. | <b>molex</b>                   |                 |                |
| mm                                                   | 1:1    |                                                            |                                |                 |                |
| GENERAL TOLERANCES (UNLESS SPECIFIED)                |        |                                                            | CSE M12 XP AC FE RA XM SE UNSH |                 |                |
| ANGULAR TOL                                          | ± 1.0° |                                                            | PRODUCT CUSTOMER DRAWING       |                 |                |
| 4 PLACES                                             | ±      | EC NO: 726454                                              | DOCUMENT NUMBER                |                 |                |
| 3 PLACES                                             | ±      | DRWN: LIKITV 2022/09/27                                    | DOC TYPE DOC PART REVISION     |                 |                |
| 2 PLACES                                             | ± 0.05 | CHK'D: GGA 2022/11/30                                      | 1200658471 PSD 000 A12         |                 |                |
| 1 PLACE                                              | ± 0.1  | APPR: GGA 2022/11/30                                       | INITIAL REVISION:              |                 |                |
| 0 PLACES                                             | ± 0.2  |                                                            | DRWN: JMARSZALEK 2016/01/11    |                 |                |
| DRAFT WHERE APPLICABLE MUST REMAIN WITHIN DIMENSIONS |        |                                                            | APPR: RSILLER 2016/04/08       |                 |                |
| THIRD ANGLE PROJECTION                               |        | DRAWING                                                    | SERIES                         | MATERIAL NUMBER | CUSTOMER       |
|                                                      |        | A3-SIZE                                                    | 120065                         | SEE PART LIST   | GENERAL MARKET |
|                                                      |        |                                                            |                                |                 | SHEET NUMBER   |
|                                                      |        |                                                            |                                |                 | 2 OF 5         |

# PART LIST

| No. | Part No.   | Engineering No.  | Cable Length | No. | Part No.   | Engineering No.  | Cable Length | No. | Part No.   | Engineering No. | Cable Length | No. | Part No.   | Engineering No.  | Cable Length |
|-----|------------|------------------|--------------|-----|------------|------------------|--------------|-----|------------|-----------------|--------------|-----|------------|------------------|--------------|
| 1   | 1200060007 | 803001E03M020    | 2m           | 36  | 1200060508 | 804001I03M150    | 15m          | 71  | 1200063645 | 803001E13M100   | 10m          | 106 | 1200656216 | 808001E02M200    | 20m          |
| 2   | 1200060008 | 803001E03M050    | 5m           | 37  | 1200060510 | 804001P03M030    | 3m           | 72  | 1200063682 | 803001P82M0207  | 2m           | 107 | 1200656382 | 808001P02M400    | 40m          |
| 3   | 1200060009 | 803001E03M100    | 10m          | 38  | 1200060516 | 804001P03M150    | 15m          | 73  | 1200063754 | 808001P02M0501A | 5m           | 108 | 1200656595 | 804001E02M0501   | 5m           |
| 4   | 1200060010 | 803001I03M050    | 5m           | 39  | 1200060517 | 804001P03M200    | 20m          | 74  | 1200063825 | 805001I03M050G  | 5m           | 109 | 1200658010 | 804001H09M050H   | 5m           |
| 5   | 1200060011 | 803001P03M020    | 2m           | 40  | 1200060652 | 805001E03M020    | 2m           | 75  | 1200064134 | 804001E52M050   | 5m           | 110 | 1200658011 | 804001H09M100H   | 10m          |
| 6   | 1200060012 | 803001P03M050    | 5m           | 41  | 1200060654 | 805001E03M050    | 5m           | 76  | 1200064174 | 804001E03M5005  | 50m          | 111 | 1200658071 | 804001E03M050H   | 5m           |
| 7   | 1200060013 | 803001P03M100    | 10m          | 42  | 1200060655 | 805001E03M0501 * | 5m           | 77  | 1200064210 | 803001I03M051   | 5.1m         | 112 | 1200658089 | 805001P12M020    | 2m           |
| 8   | 1200060021 | 804001E03M020    | 2m           | 43  | 1200060657 | 805001E03M100    | 10m          | 78  | 1200064244 | 804001I03M040   | 4m           | 113 | 1200658185 | 804001H09M150G   | 15m          |
| 9   | 1200060022 | 804001E03M050    | 5m           | 44  | 1200060663 | 805001P03M020    | 2m           | 79  | 1200064289 | 804001P03M400   | 40m          | 114 | 1200658193 | 804001H09M050    | 5m           |
| 10  | 1200060023 | 804001E03M100    | 10m          | 45  | 1200060664 | 805001P03M100    | 10m          | 80  | 1200064350 | 804001P03M120   | 12m          | 115 | 1200658194 | 804001H09M100    | 10m          |
| 11  | 1200060024 | 804001P03M020    | 2m           | 46  | 1200061336 | 804001E03M0205   | 2m           | 81  | 1200064391 | 804001P03M1001  | 10m          | 116 | 1200658234 | 803001E03M0501 * | 5m           |
| 12  | 1200060025 | 804001P03M050    | 5m           | 47  | 1200061538 | 803001E03M051    | 5.1m         | 82  | 1200064433 | 804001H09M050G  | 5m           | 117 | 1200658245 | 808001H08M050    | 5m           |
| 13  | 1200060042 | 804001I03M050    | 5m           | 48  | 1200061552 | 803001E03M066    | 6.6m         | 83  | 1200064436 | 804001H09M100G  | 10m          | 118 | 1200658261 | 808001E02M050    | 5m           |
| 14  | 1200060175 | 803001E03M010    | 1m           | 49  | 1200061553 | 803001E03M058    | 5.8m         | 84  | 1200065013 | 803001P03M030G  | 3m           | 119 | 1200658271 | 804001E03M0505   | 5m           |
| 15  | 1200060178 | 803001E03M030    | 3m           | 50  | 1200061563 | 805001I03M050    | 5m           | 85  | 1200650814 | 804001E52M050A  | 5m           | 120 | 1200658296 | 805001H09M020    | 2m           |
| 16  | 1200060184 | 803001E03M150    | 15m          | 51  | 1200061760 | 805001P03M150    | 15m          | 86  | 1200650960 | 808001P02M020   | 2m           | 121 | 1200658297 | 805001H09M050    | 5m           |
| 17  | 1200060187 | 803001E03M200    | 20m          | 52  | 1200061850 | 805001I26M050    | 5m           | 87  | 1200650961 | 808001P02M040   | 4m           | 122 | 1200658298 | 805001H09M100    | 10m          |
| 18  | 1200060202 | 803001I03M020    | 2m           | 53  | 1200061986 | 804001P03M010    | 1m           | 88  | 1200650962 | 808001P02M050   | 5m           | 123 | 1200658310 | 808001E02M0501   | 5m           |
| 19  | 1200060204 | 803001I03M030    | 3m           | 54  | 1200062027 | 803001P03M022    | 2.2m         | 89  | 1200650963 | 808001P02M100   | 10m          | 124 | 1200658314 | 805001P03M200    | 20m          |
| 20  | 1200060205 | 803001I03M100    | 10m          | 55  | 1200062093 | 804001H69M100    | 10m          | 90  | 1200651567 | 804001A09M100   | 10m          | 125 | 1200658326 | 805001I03M015    | 1.5m         |
| 21  | 1200060212 | 803001P03M030    | 3m           | 56  | 1200062292 | 803001E03M003    | 0.3m         | 91  | 1200651571 | 804001A09M150   | 15m          | 126 | 1200658338 | 804001E03M050G   | 5m           |
| 22  | 1200060216 | 803001P03M150    | 15m          | 57  | 1200062313 | 804001P03M100H   | 10m          | 92  | 1200651575 | 804001A09M200   | 20m          | 127 | 1200658339 | 804001E03M100G   | 10m          |
| 23  | 1200060479 | 804001E03M010    | 1m           | 58  | 1200062334 | 805001I03M100    | 10m          | 93  | 1200651642 | 804001K05M050   | 5m           | 128 | 1200658359 | 805001E03M150    | 15m          |
| 24  | 1200060480 | 804001E03M0201   | 2m           | 59  | 1200062575 | 804001I03M0501   | 5m           | 94  | 1200651644 | 804001K05M100   | 10m          | 129 | 1200658403 | 803001P03M003    | 0.3m         |
| 25  | 1200060481 | 804001E03M030    | 3m           | 60  | 1200062764 | 805001P82M1007   | 10m          | 95  | 1200651771 | 803001E52M050A  | 5m           | 130 | 1200658471 | 805001I03M010    | 1m           |
| 26  | 1200060483 | 804001E03M0501 * | 5m           | 61  | 1200062837 | 803001P03M006    | 0.6m         | 96  | 1200651783 | 804001P03M020G  | 2m           | 131 | 1200658482 | 804001E03M015    | 1.5m         |
| 27  | 1200060485 | 804001E03M1001 * | 10m          | 62  | 1200062838 | 808001E52M100    | 10m          | 97  | 1200651785 | 804001P03M050G  | 5m           | 132 | 1200658483 | 808001P02M150    | 15m          |
| 28  | 1200060486 | 804001E03M150    | 15m          | 63  | 1200062851 | 803001I03M025    | 2.5m         | 98  | 1200651787 | 804001P03M100   | 10m          | 133 | 1200658485 | 804001H69M010    | 1m           |
| 29  | 1200060487 | 804001E03M200    | 20m          | 64  | 1200063286 | 803001E13M030    | 3m           | 99  | 1200651793 | 805001P03M050   | 5m           | 134 | 1200658513 | 804001H09M020    | 2m           |
| 30  | 1200060488 | 804001E03M250    | 25m          | 65  | 1200063320 | 803001E13M060    | 6m           | 100 | 1200651797 | 808001E52M020   | 2m           | 135 | 1200658541 | 804001E03M070    | 7m           |
| 31  | 1200060489 | 804001E03M300    | 30m          | 66  | 1200063340 | 803001P03M025    | 2.5m         | 101 | 1200652147 | 804001P03M040   | 4m           | 136 | 1200658564 | 803001E03M040    | 4m           |
| 32  | 1200060492 | 804001E52M100A   | 10m          | 67  | 1200063386 | 805001P82M0507   | 5m           | 102 | 1200655050 | 803001E52M050   | 5m           | 137 | 1200658573 | 805001E03M010    | 1m           |
| 33  | 1200060503 | 804001I03M020    | 2m           | 68  | 1200063532 | 804001I03M0505   | 5m           | 103 | 1200655071 | 805001P82M0207  | 2m           | 138 | 1200658574 | 805001E03M030    | 3m           |
| 34  | 1200060505 | 804001I03M030    | 3m           | 69  | 1200063563 | 804001I04M030G   | 3m           | 104 | 1200656064 | 805001E03M0271  | 2.7m         | 139 | 1200658575 | 805001E03M040    | 4m           |
| 35  | 1200060507 | 804001I03M100    | 10m          | 70  | 1200063564 | 805001I26M100    | 10m          | 105 | 1200656065 | 808001E02M0601  | 6m           | 140 | 1200658585 | 808001E02M010    | 1m           |

## NOTES:

\* - Part No. with Yellow PVC overmolding

|                                                                                                                                               |  |                        |  |                                                                                                                                                                                                                                                                                                                                  |  |                |  |                            |  |
|-----------------------------------------------------------------------------------------------------------------------------------------------|--|------------------------|--|----------------------------------------------------------------------------------------------------------------------------------------------------------------------------------------------------------------------------------------------------------------------------------------------------------------------------------|--|----------------|--|----------------------------|--|
| THIS DRAWING CONTAINS INFORMATION THAT IS PROPRIETARY TO MOLEX ELECTRONIC TECHNOLOGIES, LLC AND SHOULD NOT BE USED WITHOUT WRITTEN PERMISSION |  |                        |  |                                                                                                                                                                                                                                                                                                                                  |  |                |  |                            |  |
| DIMENSION UNITS                                                                                                                               |  | SCALE                  |  | CURRENT REV DESC: OBSOLETE PART NUMBERS AS PER PCN#510807.                                                                                                                                                                                                                                                                       |  |                |  |                            |  |
| mm                                                                                                                                            |  | 1:1                    |  | <br>CSE M12 XP AC FE RA XM SE UNSH<br>PRODUCT CUSTOMER DRAWING<br>EC NO: 726454<br>DRWN: LIKITV 2022/09/27<br>CHK'D: GGA 2022/11/30<br>APPR: GGA 2022/11/30<br>INITIAL REVISION:<br>DRWN: JMARSZALEK 2016/01/11<br>APPR: RSILLER 2016/04/08 |  |                |  |                            |  |
| GENERAL TOLERANCES (UNLESS SPECIFIED)                                                                                                         |  |                        |  |                                                                                                                                                                                                                                                                                                                                  |  |                |  |                            |  |
| ANGULAR TOL ± 1.0 °                                                                                                                           |  |                        |  |                                                                                                                                                                                                                                                                                                                                  |  |                |  |                            |  |
| 4 PLACES ±                                                                                                                                    |  | 3 PLACES ±             |  |                                                                                                                                                                                                                                                                                                                                  |  |                |  |                            |  |
| 2 PLACES ± 0.05                                                                                                                               |  | 1 PLACE ± 0.1          |  |                                                                                                                                                                                                                                                                                                                                  |  |                |  |                            |  |
| 0 PLACES ± 0.2                                                                                                                                |  | THIRD ANGLE PROJECTION |  | DRAWING                                                                                                                                                                                                                                                                                                                          |  | SERIES         |  | DOCUMENT NUMBER            |  |
| DRAFT WHERE APPLICABLE MUST REMAIN WITHIN DIMENSIONS                                                                                          |  |                        |  | A3-SIZE                                                                                                                                                                                                                                                                                                                          |  | 120065         |  | 1200658471                 |  |
|                                                                                                                                               |  |                        |  | MATERIAL NUMBER                                                                                                                                                                                                                                                                                                                  |  | CUSTOMER       |  | DOC TYPE DOC PART REVISION |  |
|                                                                                                                                               |  |                        |  | SEE PART LIST                                                                                                                                                                                                                                                                                                                    |  | GENERAL MARKET |  | PSD 000 A12                |  |
|                                                                                                                                               |  |                        |  |                                                                                                                                                                                                                                                                                                                                  |  |                |  | SHEET NUMBER               |  |
|                                                                                                                                               |  |                        |  |                                                                                                                                                                                                                                                                                                                                  |  |                |  | 3 OF 5                     |  |

|                 |    |              |            |          |
|-----------------|----|--------------|------------|----------|
| DOCUMENT STATUS | P1 | RELEASE DATE | 2022/11/30 | 11:33:43 |
|-----------------|----|--------------|------------|----------|

# PART LIST

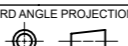
| No. | Part No.   | Engineering No. | Cable Length |
|-----|------------|-----------------|--------------|
| 141 | 1200658586 | 808001E02M020   | 2m           |
| 142 | 1200658587 | 808001E02M030   | 3m           |
| 143 | 1200658589 | 808001E02M100   | 10m          |
| 144 | 1200658594 | 803001I03M040   | 4m           |
| 145 | 1200658607 | 805001I03M030   | 3m           |
| 146 | 1200658608 | 805001I03M040   | 4m           |
| 147 | 1200658619 | 808001P02M010   | 1m           |
| 148 | 1200658649 | 808001H08M020   | 2m           |
| 149 | 1200658652 | 808001H08M100   | 10m          |
| 150 | 1200658664 | 805001H09M010   | 1m           |
| 151 | 1200658666 | 805001H09M030   | 3m           |
| 152 | 1200658668 | 804001H09M010   | 1m           |
| 153 | 1200658670 | 804001H09M030   | 3m           |
| 154 | 1200658683 | 808001I02M010   | 1m           |
| 155 | 1200658684 | 808001I02M020   | 2m           |
| 156 | 1200658685 | 808001I02M030   | 3m           |
| 157 | 1200658686 | 808001I02M040   | 4m           |
| 158 | 1200658687 | 808001I02M050   | 5m           |
| 159 | 1200658688 | 808001I02M100   | 10m          |
| 160 | 1200658707 | 804001I03M010G  | 1m           |
| 161 | 1200658708 | 804001I03M020G  | 2m           |
| 162 | 1200658709 | 804001I03M030G  | 3m           |
| 163 | 1200658710 | 804001I03M040G  | 4m           |
| 164 | 1200658711 | 804001I03M050G  | 5m           |
| 165 | 1200658712 | 804001I03M100G  | 10m          |
| 166 | 1200658713 | 803001H09M010   | 1m           |
| 167 | 1200658715 | 803001H09M020   | 2m           |
| 168 | 1200658718 | 803001H09M050   | 5m           |
| 169 | 1200658719 | 803001H09M100   | 10m          |
| 170 | 1200658931 | 808001E02M150   | 15m          |
| 171 | 1200658932 | 808001E02M250   | 25m          |
| 172 | 1200658933 | 805001P12M050   | 5m           |
| 173 | 1200658934 | 805001P12M100   | 10m          |
| 174 | 1200658992 | 804001P03M050H  | 5m           |
| 175 | 1200659032 | 804001E02M050   | 5m           |

| No. | Part No.   | Engineering No. | Cable Length |
|-----|------------|-----------------|--------------|
| 176 | 1200659033 | 804001E02M100   | 10m          |
| 177 | 1200659039 | 804001E02M070   | 7m           |
| 178 | 1200659048 | 804001E02M1001  | 10m          |
| 179 | 1200659068 | 804001I03M050Y  | 5m           |
| 180 | 1200659078 | 804001I03M100Y  | 10m          |
| 181 | 1200659084 | 805001I26M050Y  | 5m           |
| 182 | 1200659095 | 804001H09M050HY | 5m           |
| 183 | 1200659112 | 804001H12M050   | 5m           |
| 184 | 1200659117 | 805001I26M100Y  | 10m          |
| 185 | 1200659118 | 803001I03M050Y  | 5m           |
| 186 | 1200659120 | 803001I03M030Y  | 3m           |
| 187 | 1200659121 | 803001I03M100Y  | 10m          |
| 188 | 1200659124 | 804001H09M100HY | 10m          |
| 189 | 1200659140 | 805001H09M200   | 20m          |
| 190 | 1200659147 | 805001E03M200   | 20m          |
| 191 | 1200659160 | 804001I03M020Y  | 2m           |
| 192 | 1200659164 | 804001E03M025   | 2.5m         |
| 193 | 1200659168 | 803001I03M025Y  | 2.5m         |
| 194 | 1200659173 | 803001E03M050H  | 5m           |
| 195 | 1200659181 | 803001E03M100H  | 10m          |
| 196 | 1200659182 | 804001E03M020H  | 2m           |
| 197 | 1200659235 | 803001E03M300   | 30m          |
| 198 | 1200659251 | 804001H12M010   | 1m           |
| 199 | 1200659252 | 804001H12M030   | 3m           |
| 200 | 1200659266 | 804001P03M020Y  | 2m           |
| 201 | 1200659270 | 804001H12M100   | 10m          |
| 202 | 1200659342 | 804001P03M1501  | 15m          |
| 203 | 1200659343 | 804001P03M2501  | 25m          |
| 204 | 1200659361 | 804001I03M030Y  | 3m           |
| 205 | 1200659373 | 803001E02M030   | 3m           |
| 206 | 1200659398 | 808001P02M100Y  | 10m          |
| 207 | 1200659592 | 805001E03M080   | 8m           |
| 208 | 1200659637 | 808001E02M1001  | 10m          |
| 209 | 1200659771 | 804001H12M1009  | 10m          |
| 210 | 1200659772 | 804001H12M0309  | * 3m         |

| No. | Part No.   | Engineering No. | Cable Length |
|-----|------------|-----------------|--------------|
| 211 | 1200659773 | 804001H12M0509  | * 5m         |
| 212 | 1200659775 | 803001P03M050HY | 5m           |
| 213 | 1200658588 | 808001E02M040   | 4m           |
| 214 | 1200060482 | 804001E03M040   | 4m           |
| 215 | 1200061540 | 803001E03M033   | 3.3m         |
| 216 | 1200061541 | 803001E03M022   | 2.2m         |
| 217 | 1200061542 | 803001E03M011   | 1.1m         |
| 218 | 1200063648 | 804001E03M2001  | 20m          |
| 219 | 1200064145 | 804001E03M3001  | 30m          |
| 220 | 1200064402 | 804001E03M005   | 0.5m         |
| 221 | 1200658884 | 804001E03M100H  | 10m          |
| 222 | 1200658898 | 804001E03M150H  | 15m          |
| 223 | 1200659352 | 805001E03M1001  | 10m          |
| 224 | 1200659353 | 805001E03M2501  | 25m          |
| 225 | 1200659502 | 805001E03M005   | 0.5m         |
| 226 | 1200658647 | 808001H08M010   | 1m           |
| 227 | 1200658648 | 808001H08M015   | * 1.5m       |
| 228 | 1200658650 | 808001H08M030   | * 3m         |
| 229 | 1200658651 | 808001H08M040   | 4m           |
| 230 | 1200658196 | 804001H09M200   | 20m          |
| 231 | 1200658665 | 805001H09M015   | 1.5m         |
| 232 | 1200658667 | 805001H09M040   | * 4m         |
| 233 | 1200658669 | 804001H09M015   | * 1.5m       |
| 234 | 1200658671 | 804001H09M040   | 4m           |
| 235 | 1200658714 | 803001H09M015   | 1.5m         |
| 236 | 1200658716 | 803001H09M030   | 3m           |
| 237 | 1200658717 | 803001H09M040   | 4m           |
| 238 | 1200659675 | 804001H09M220   | 22m          |
| 239 | 1200658620 | 808001P02M030   | 3m           |
| 240 | 1200061318 | 803001P03M010   | 1m           |
| 241 | 1200063405 | 804001P03M003   | 0.3m         |
| 242 | 1200063793 | 804001P03M140   | 14m          |
| 243 | 1200652156 | 805001P03M060   | 6m           |
| 244 | 1200656575 | 805001P03M300   | 30m          |
| 245 | 1200658184 | 805001P03M040   | 4m           |

| No. | Part No.   | Engineering No. | Cable Length |
|-----|------------|-----------------|--------------|
| 246 | 1200658206 | 804001P03M060   | 6m           |
| 247 | 1200658311 | 803001P03M200   | 20m          |
| 248 | 1200658312 | 803001P03M300   | 30m          |
| 249 | 1200658611 | 803001P03M040   | 4m           |
| 250 | 1200658617 | 805001P03M010   | 1m           |
| 251 | 1200658627 | 805001P03M030   | 3m           |
| 252 | 1200651639 | 804001K05M020   | 2m           |
| 253 | 1200651640 | 804001K05M030   | 3m           |
| 254 | 1200651628 | 804001K03M050   | 5m           |
| 255 | 1200651634 | 804001K03M100   | 10m          |
| 256 | 1200651720 | 805001K03M020   | 2m           |
| 257 | 1200651722 | 805001K03M050   | 5m           |
| 258 | 1200652155 | 805001K03M100   | 10m          |
| 259 | 1200658783 | 804001E03M060   | 6m           |
| 260 | 1200651557 | 804001A09M0402  | 4m           |
| 261 | 1200651558 | 804001A09M050   | 5m           |
| 262 | 1200651560 | 804001A09M0502  | 5m           |
| 263 | 1200651562 | 804001A09M060   | 6m           |
| 264 | 1200651564 | 804001A09M070   | 7m           |
| 265 | 1200651565 | 804001A09M080   | 8m           |
| 266 | 1200651566 | 804001A09M090   | 9m           |
| 267 | 1200651569 | 804001A09M120   | 12m          |
| 268 | 1200651573 | 804001A09M170   | 17m          |
| 269 | 1200651574 | 804001A09M180   | 18m          |
| 270 | 1200651696 | 805001A09M005   | 0.5m         |
| 271 | 1200651697 | 805001A09M020   | 2m           |
| 272 | 1200651699 | 805001A09M0202  | 2m           |
| 273 | 1200651700 | 805001A09M040   | 4m           |
| 274 | 1200651701 | 805001A09M050   | 5m           |
| 275 | 1200651703 | 805001A09M060   | 6m           |
| 276 | 1200651704 | 805001A09M070   | 7m           |
| 277 | 1200651705 | 805001A09M080   | 8m           |
| 278 | 1200651706 | 805001A09M100   | 10m          |
| 279 | 1200651708 | 805001A09M1002  | 10m          |
| 280 | 1200651868 | 805001A09M0708  | 7m           |

**NOTES:**  
- Part No. with Yellow PVC overmolding


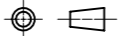
|                                                                                                                                               |         |                                                                                                                                                     |         |            |                |                   |  |          |          |
|-----------------------------------------------------------------------------------------------------------------------------------------------|---------|-----------------------------------------------------------------------------------------------------------------------------------------------------|---------|------------|----------------|-------------------|--|----------|----------|
| THIS DRAWING CONTAINS INFORMATION THAT IS PROPRIETARY TO MOLEX ELECTRONIC TECHNOLOGIES, LLC AND SHOULD NOT BE USED WITHOUT WRITTEN PERMISSION |         |                                                                                                                                                     |         |            |                |                   |  |          |          |
| DIMENSION UNITS                                                                                                                               | SCALE   | CURRENT REV DESC: OBSOLETE PART NUMBERS AS PER PCN#510807.                                                                                          |         |            |                |                   |  |          |          |
| mm                                                                                                                                            | 1:1     | <br>CSE M12 XP AC FE RA XM SE UNSH<br>PRODUCT CUSTOMER DRAWING |         |            |                |                   |  |          |          |
| GENERAL TOLERANCES (UNLESS SPECIFIED)                                                                                                         |         |                                                                                                                                                     |         |            |                |                   |  |          |          |
| ANGULAR TOL                                                                                                                                   | ± 1.0 ° | EC NO: 726454                                                                                                                                       |         | 2022/09/27 |                | DOCUMENT NUMBER   |  | DOC TYPE | DOC PART |
| 4 PLACES                                                                                                                                      | ±       | DRWN: LIKITV                                                                                                                                        |         | 2022/11/30 |                | 1200658471        |  | PSD      | 000      |
| 3 PLACES                                                                                                                                      | ±       | CHK'D: GGA                                                                                                                                          |         | 2022/11/30 |                | INITIAL REVISION: |  | REVISION |          |
| 2 PLACES                                                                                                                                      | ± 0.05  | APPR: GGA                                                                                                                                           |         | 2022/11/30 |                | DRWN: JMARSZALEK  |  | A12      |          |
| 1 PLACE                                                                                                                                       | ± 0.1   | APPR: RSILLER                                                                                                                                       |         | 2016/01/11 |                | SERIES            |  |          |          |
| 0 PLACES                                                                                                                                      | ± 0.2   |                                                                                                                                                     |         | 2016/04/08 |                | MATERIAL NUMBER   |  |          |          |
| DRAFT WHERE APPLICABLE MUST REMAIN WITHIN DIMENSIONS                                                                                          |         | THIRD ANGLE PROJECTION                                                                                                                              | DRAWING | SHEET      | CUSTOMER       | SHEET NUMBER      |  |          |          |
|                                                                                                                                               |         |                                                                | A3-SIZE | 120065     | GENERAL MARKET | 4 OF 5            |  |          |          |

|                 |    |              |            |          |
|-----------------|----|--------------|------------|----------|
| DOCUMENT STATUS | P1 | RELEASE DATE | 2022/11/30 | 11:33:43 |
|-----------------|----|--------------|------------|----------|

# PART LIST

| No. | Part No.   | Engineering No. | Cable Length |
|-----|------------|-----------------|--------------|
| 281 | 1200651949 | 804001A09M0602  | 6m           |
| 282 | 1200651983 | 805001A09M030   | 3m           |
| 283 | 1200651985 | 803001A09M0202  | 2m           |
| 284 | 1200652078 | 804001A09M0302  | 3m           |
| 285 | 1200652079 | 805001A09M300   | 30m          |
| 286 | 1200652111 | 805001A09M150   | 15m          |
| 287 | 1200652122 | 805001A09M0502  | 5m           |
| 288 | 1200652170 | 804001A09C2508  | 0.25m        |
| 289 | 1200652197 | 805001A09M1508  | 15m          |
| 290 | 1200652216 | 804001A09M0708  | 7m           |
| 291 | 1200652419 | 804001A09M2008  | 20m          |
| 292 | 1200652439 | 804001A09M0108  | 1m           |
| 293 | 1200659215 | 805001A09M010   | 1m           |
| 294 | 1200659216 | 805001A09M200   | 20m          |
| 295 | 1202010010 | 804001A09M250   | 25m          |
| 296 | 1200060221 | 803001S20M020   | 2m           |
| 297 | 1200060222 | 803001S20M030   | 3m           |
| 298 | 1200060224 | 803001S20M050   | 5m           |
| 299 | 1200659374 | 804001S20M350   | 35m          |
| 300 | 1200659774 | 808001S19M150   | 15m          |
| 301 | 1200659810 | 805001S26M200   | 20m          |
| 302 | 1200060225 | 803001S20M100   | 10m          |
| 303 | 1200060527 | 804001S20M010   | 1m           |
| 304 | 1200060528 | 804001S20M020   | 2m           |
| 305 | 1200060529 | 804001S20M030   | 3m           |
| 306 | 1200060531 | 804001S20M050   | 5m           |
| 307 | 1200061612 | 804001S20M030H  | 3m           |
| 308 | 1200062121 | 804001S20M060   | 6m           |
| 309 | 1200062148 | 804001I20M160   | 16m          |
| 310 | 1200062160 | 804001S20M100H  | 10m          |
| 311 | 1200062374 | 804001S20M020H  | 2m           |
| 312 | 1200062502 | 804001S20M050H  | 5m           |
| 313 | 1200062589 | 804001S20M010H  | 1m           |
| 314 | 1200062919 | 804001P20M100   | 10m          |
| 315 | 1200062922 | 804001P20M050   | 5m           |

| No. | Part No.   | Engineering No. | Cable Length |
|-----|------------|-----------------|--------------|
| 316 | 1200063109 | 804001S20M1001  | 10m          |
| 317 | 1200063165 | 805001P20M050   | 5m           |
| 318 | 1200064184 | 804001P20M250   | 25m          |
| 319 | 1200064268 | 808001S19M100   | 10m          |
| 320 | 1200064380 | 804001S20M0201  | 2m           |
| 321 | 1200064381 | 804001S20M0501  | 5m           |
| 322 | 1200064452 | 804001S20M3001  | 30m          |
| 323 | 1200064457 | 803001S20M0501  | 5m           |
| 324 | 1200650910 | 804001S20M100   | 10m          |
| 325 | 1200655008 | 808001P19M050   | 5m           |
| 326 | 1200658090 | 805001S26M100   | 10m          |
| 327 | 1200658187 | 804001S20M200   | 20m          |
| 328 | 1200658203 | 805001S26M1001  | 10m          |
| 329 | 1200658276 | 804001I20M100   | 10m          |
| 330 | 1200658287 | 803001I20M100   | 10m          |
| 331 | 1200658324 | 804001P20M030   | 3m           |
| 332 | 1200658328 | 808001P19M100   | 10m          |
| 333 | 1200658510 | 804001S20M2001  | 20m          |
| 334 | 1200658544 | 808001P19M250   | 25m          |
| 335 | 1200658547 | 803001P20M150   | 15m          |
| 336 | 1200658875 | 803001S20M0201G | 2m           |
| 337 | 1200659029 | 804001S20M150   | 15m          |
| 338 | 1200659114 | 805001S26M050   | 5m           |
| 339 | 1200659156 | 805001S26M2001  | 20m          |
| 340 | 1200659240 | 803001P20M100HY | 10m          |
| 341 | 1200657238 | 805001E03M250   | 25m          |
| 342 | 1200657145 | 804001P03M006   | 0.6m         |
| 343 | 1200657146 | 804001P03M070   | 7m           |
| 344 | 1200657147 | 804001P03M080   | 8m           |
| 345 | 1200657148 | 804001E03M003   | 0.3m         |
| 346 | 1200657149 | 804001E03M006   | 0.6m         |
| 347 | 1200657150 | 804001E03M080   | 8m           |
| 348 | 1200657185 | 805001E03M015   | 1.5m         |
| 349 | 1200658573 | 805001E03M010   | 1m           |
| 350 | 1200657265 | 805001H09M500   | 50m          |

|                                                                                                                                               |         |                                                                                           |         |        |                 |                 |          |              |          |
|-----------------------------------------------------------------------------------------------------------------------------------------------|---------|-------------------------------------------------------------------------------------------|---------|--------|-----------------|-----------------|----------|--------------|----------|
| THIS DRAWING CONTAINS INFORMATION THAT IS PROPRIETARY TO MOLEX ELECTRONIC TECHNOLOGIES, LLC AND SHOULD NOT BE USED WITHOUT WRITTEN PERMISSION |         |                                                                                           |         |        |                 |                 |          |              |          |
| DIMENSION UNITS                                                                                                                               | SCALE   | CURRENT REV DESC: OBSOLETE PART NUMBERS AS PER PCN#510807.                                |         |        |                 |                 |          |              |          |
| mm                                                                                                                                            | 1:1     |      |         |        |                 |                 |          |              |          |
| GENERAL TOLERANCES (UNLESS SPECIFIED)                                                                                                         |         |                                                                                           |         |        |                 |                 |          |              |          |
| ANGULAR TOL                                                                                                                                   | ± 1.0 ° | EC NO: 726454<br>DRWN: LIKITV 2022/09/27<br>CHK'D: GGA 2022/11/30<br>APPR: GGA 2022/11/30 |         |        |                 |                 |          |              |          |
| 4 PLACES                                                                                                                                      | ±       |                                                                                           |         |        |                 |                 |          |              |          |
| 3 PLACES                                                                                                                                      | ±       | PRODUCT CUSTOMER DRAWING                                                                  |         |        |                 |                 |          |              |          |
| 2 PLACES                                                                                                                                      | ± 0.05  |                                                                                           |         |        |                 |                 |          |              |          |
| 1 PLACE                                                                                                                                       | ± 0.1   | INITIAL REVISION:                                                                         |         |        |                 | DOCUMENT NUMBER | DOC TYPE | DOC PART     | REVISION |
| 0 PLACES                                                                                                                                      | ± 0.2   | DRWN: JMARSZALEK 2016/01/11<br>APPR: RSILLER 2016/04/08                                   |         |        |                 | 1200658471      | PSD      | 000          | A12      |
| DRAFT WHERE APPLICABLE MUST REMAIN WITHIN DIMENSIONS                                                                                          |         | THIRD ANGLE PROJECTION                                                                    | DRAWING | SERIES | MATERIAL NUMBER | CUSTOMER        |          | SHEET NUMBER |          |
|                                                                                                                                               |         |      | A3-SIZE | 120065 | SEE PART LIST   | GENERAL MARKET  |          | 5 OF 5       |          |

|                 |    |              |            |          |
|-----------------|----|--------------|------------|----------|
| DOCUMENT STATUS | P1 | RELEASE DATE | 2022/11/30 | 11:33:43 |
|-----------------|----|--------------|------------|----------|