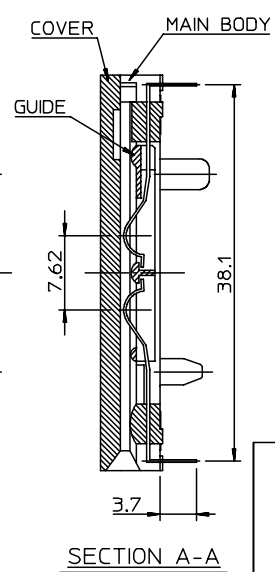
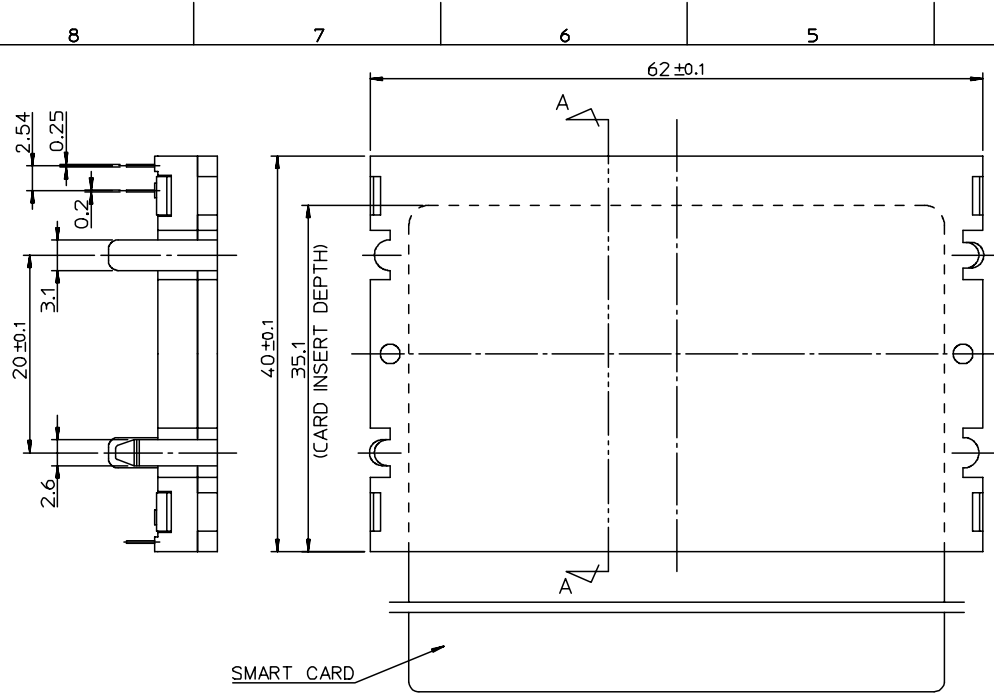
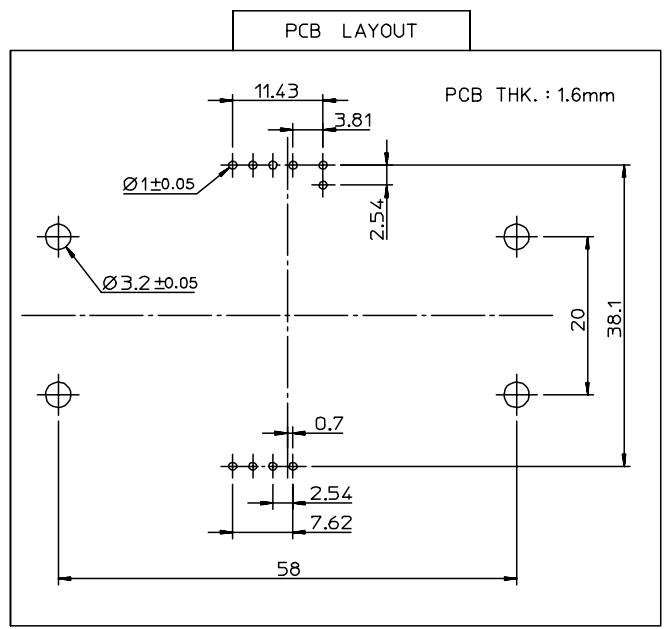
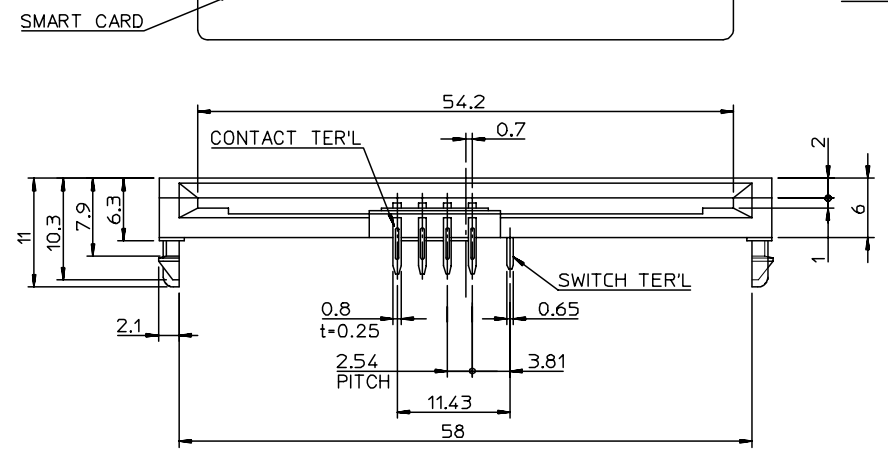


DWG. NO. SD-49002-001
 SIMILAR ITEM
 PROJECT NO.
 DO NOT SCALE DRAWING DIMENSION IN METRIC



- NOTE
- MATERIAL :
 - MAIN BODY / COVER / GUIDE : POLYESTER(PBT), GLASS FILLED, UL94V-0, COLOR:BLACK
 - CONTACT / SWITCH TER'L : PHOSPHOR BRONZE
 - PLATING
 - CONTACT AREA : 1.27um SELECTIVE Au OVER 1~3um Ni OVERALL
 - SOLDER TAIL : 1~3um Sn OVER 1~3um Ni OVERALL
 - DURABILITY : 100,000 CYCLES
 - PRODUCT SPECIFICATION : PS-49002-001



TABLE

490020861	49002-0861	8
MAT'L NO.	ENG NO.	CKT

REVISED EC NO. KOR2005-0195 DRWN: DY.JANG(05/05/09) CHK: Y.SIK.KIM APPR: C.W.LEE	DESCRIPTION MAJOR CRITICAL C	QUALITY SYMBOLS		GENERAL TOLERANCES: (UNLESS SPECIFIED)		SCALE 2 : 1	DESIGN UNITS <input checked="" type="checkbox"/> mm <input type="checkbox"/> INCH	THIRD ANGLE PROJECTION	DIMENSIONS: <input type="checkbox"/> mm <input type="checkbox"/> INCH <input type="checkbox"/> mm ONLY	SHT	REV
		4 PLACES	±0.	±.	mm	INCH	DRAWN BY & DATE K.S.KIM(030213)	TITLE: SMART CARD SOCKET (SCRATCH TYPE)			
D	REV	3 PLACES	±0.	±.	CHECKED BY & DATE Y.Soo.KIM		APPROVED BY & DATE C.W.LEE				
		2 PLACES	±0.15	±.	ANGULAR: ± 1 °		MATERIAL NO. SEE TABLE		DRAWING NO. SD-49002-001		SHEET NO. 1 OF 1
DRAFT WHERE APPLICABLE MUST REMAIN WITHIN DIMENSIONS		THIS DRAWING CONTAINS INFORMATION THAT IS PROPRIETARY TO MOLEX INCORPORATED AND SHOULD NOT BE USED WITHOUT WRITTEN PERMISSION.		SIZE B		MOLEX INCORPORATED					

LEAD FREE