

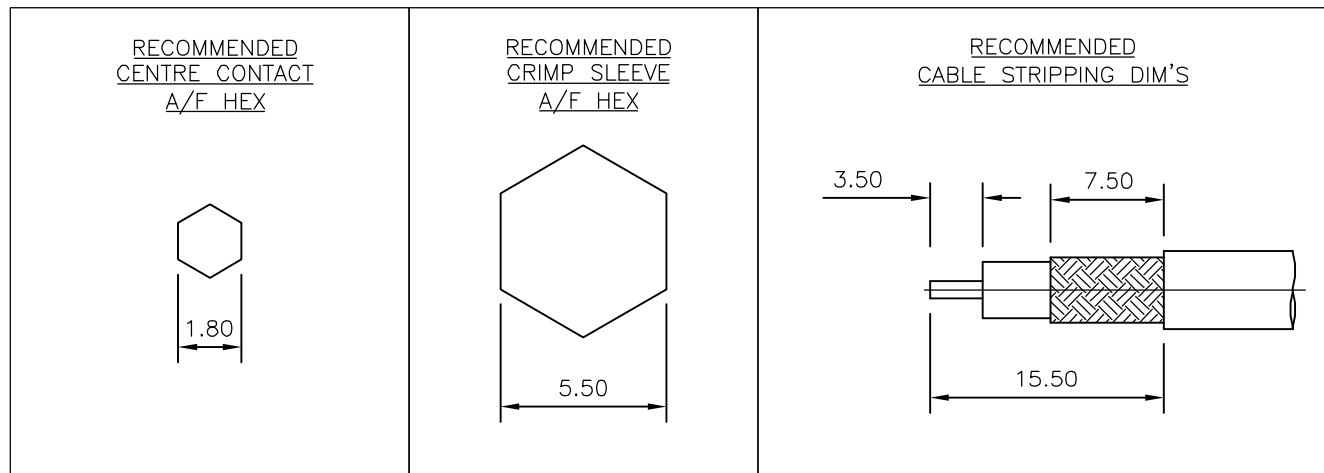
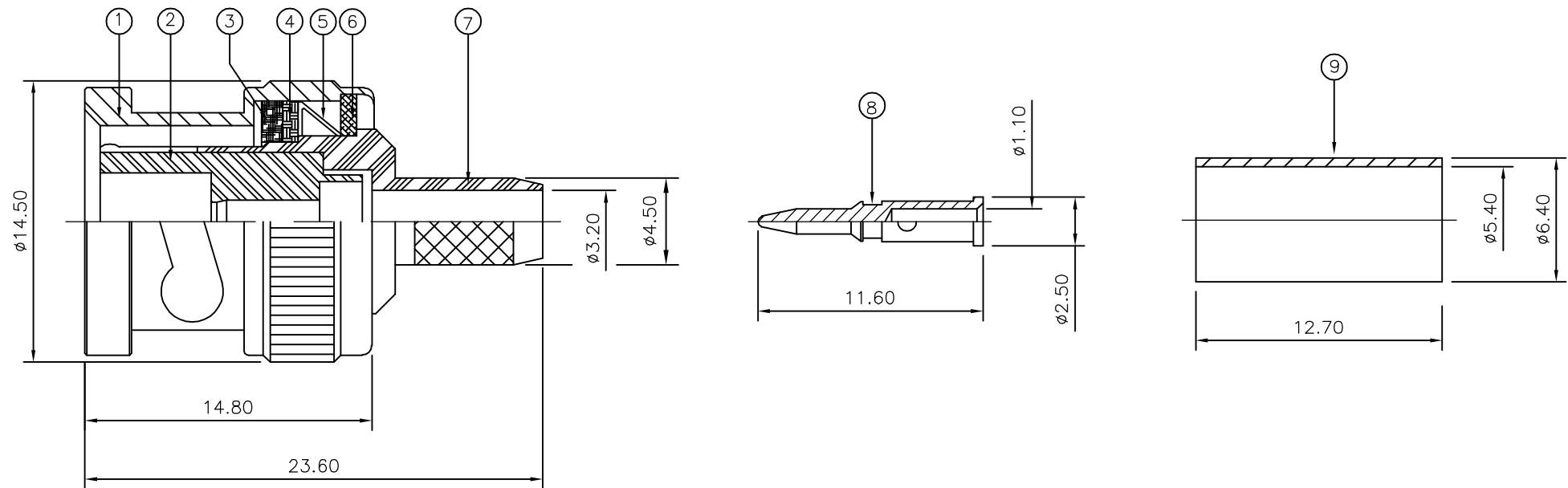
THIS DRAWING IS UNPUBLISHED. RELEASED FOR PUBLICATION NOV ,2005.

© COPYRIGHT 2005 BY TYCO ELECTRONICS CORPORATION. ALL RIGHTS RESERVED.

| LOC | DIST | REVISIONS | | | | | |
|-----|------|-----------|-----|---------------|---------|-----|------|
| E | B | P | LTR | DESCRIPTION | DATE | DWN | APVD |
| | | | C | ECR-05-015880 | 21NOV05 | JMS | FWK |

NOTES:

- 1 PACK IN ACCORDANCE WITH AMP SPEC 107-3275
- 2 100 TRAY PACK IN ACCORDANCE WITH AMP SPEC 107-3275
- 3 Ag PLATING
- 4 THIS ITEM MUST BE WHITE
- 5. HAND TOOL : 9-1478240-0
- 6 DIE SET : 9-1478242-0
- 7 ELECTRICAL CHARACTERISTICS
 FREQUENCY RANGE: DC - 4 GHz
 NOMINAL IMPEDANCE: 50 Ohm
 INSULATION RESISTANCE: 5000 MOhm
 WORKING VOLTAGE: 500 Volts RMS at Sea Level
 DIELECTRIC WITHSTAND VOLTAGE: 1500 Volts RMS Max
 CONTACT RESISTANCE:
 CENTRE CONTACT: 1.50 mOhm Max
 OUTER CONTACT: 0.20 mOhm Max
 VSWR @ 4GHz: 1.30:1 Max
 INSERTION LOSS dB @ x 3 GHz: 0.20 Max
- 8 MECHANICAL CHARACTERISTICS
 COUPLING NUT RETENTION FORCE: 445N Min
 CABLE RETENTION FORCE: 170N Min
 DURABILITY: 500 Cycles Min
- 9 ENVIRONMENTAL CHARACTERISTICS
 OPERATING TEMPERATURE: -65 to +165 DegC



| QTY | QTY PER ASSY | MATERIAL | DESCRIPTION | ITEM |
|------|--------------|----------------|-------------|-------------|
| 1 | 1 | BRASS | FERRULE | 9 |
| 1 | 1 | BRASS | CONTACT | 8 |
| 1 | 1 | BRASS | BODY | 7 |
| 1 | 1 | BRASS | WASHER | 6 |
| 1 | 1 | SPRING STEEL | SPRING | 5 |
| 1 | 1 | BRASS | WASHER | 4 |
| 1 | 1 | SILICON RUBBER | GASKET | 3 |
| 1 | 1 | PTFE | INSULATION | 2 |
| 1 | 1 | BRASS | SHELL | 1 |
| 6--0 | 1--0 | | MATERIAL | DESCRIPTION |
| | | | | ITEM |

| | | | |
|-----------------------------|-----------------|--|--------------------|
| QUANTITY PER ASSY | | PARTS LIST | |
| DWN J.SANDWELL 21NOV05 | | Tyco Electronics Corporation | |
| CHK S.PARLOW 21NOV05 | | Bideford EX39 4HE | |
| APVD F.WHEELER-KING 21NOV05 | | NAME | |
| PRODUCT SPEC 108-3435 | | BNC STRAIGHT PLUG CRIMP 50 OHM | |
| APPLICATION SPEC 411-3247 | | RG58C/U, 141A/U, URM 43,76,Belden 9907, KX15 | |
| SIZE A3 | CAGE CODE 00779 | DRAWING NO C-1337427 | RESTRICTED TO - |
| CUSTOMER DRAWING | | SCALE NTS | SHEET 1 OF 1 REV C |

| | |
|--|--|
| THIS DRAWING IS A CONTROLLED DOCUMENT. | |
| DIMENSIONS: mm | TOLERANCES UNLESS OTHERWISE SPECIFIED: |
| | 0 PLC ± - |
| | 1 PLC ± - |
| | 2 PLC ± - |
| | 3 PLC ± - |
| | 4 PLC ± - |
| | ANGLES ± - |
| MATERIAL SEE TABLE | FINISH - |