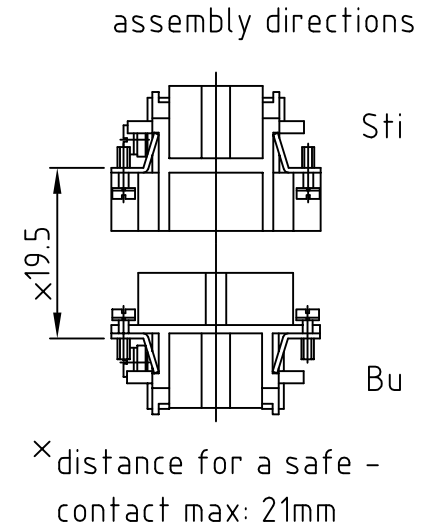
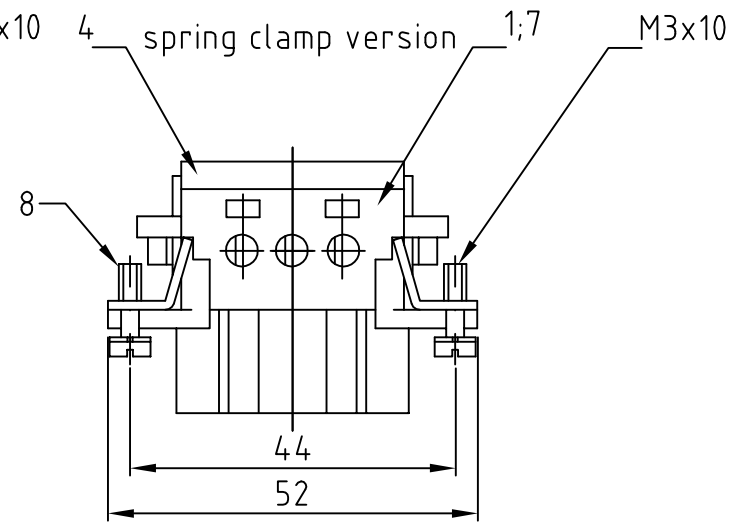
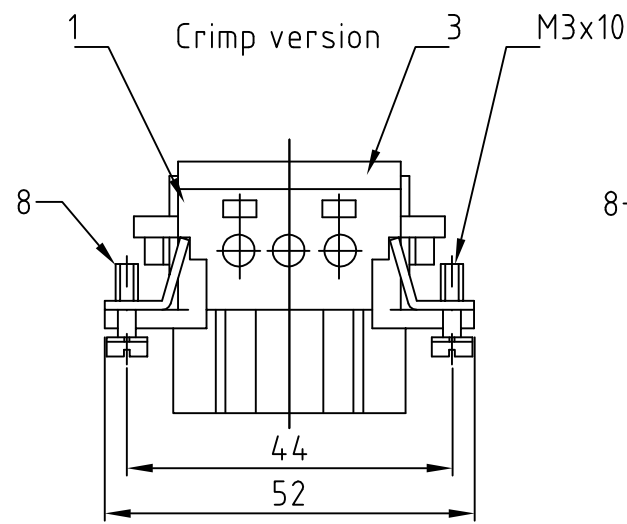
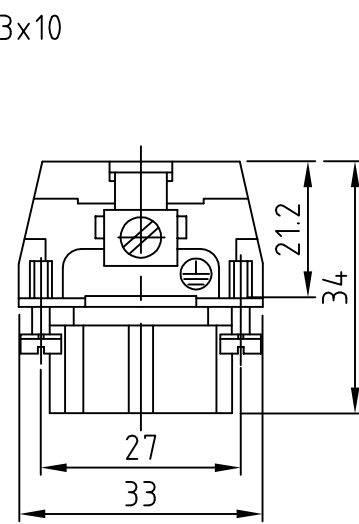
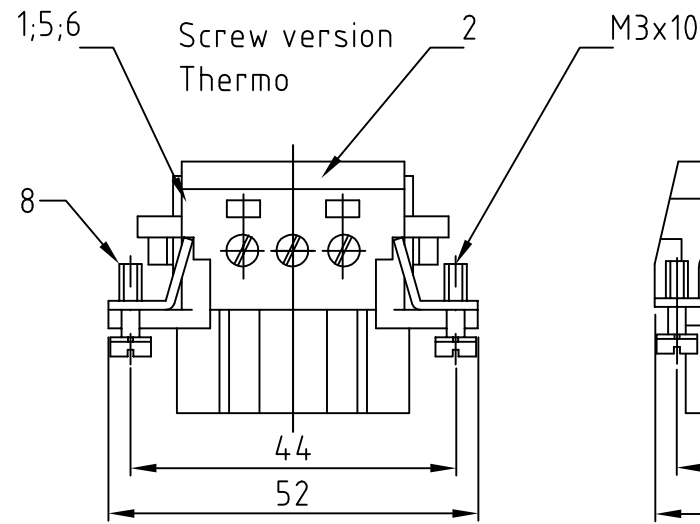
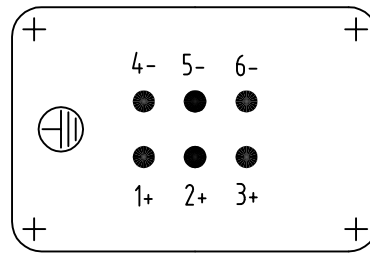


P	LTR	DESCRIPTION BESCHREIBUNG	DATE	DWN	APVD
	A10	ECR-17-009069	09FEB2018	SG	MKO



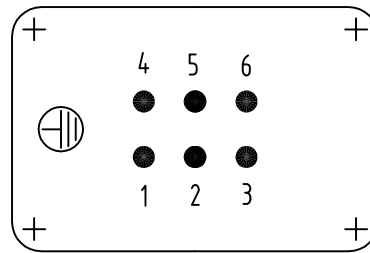
Printing 1-6 Thermo



Contact arrangement

view from termination side

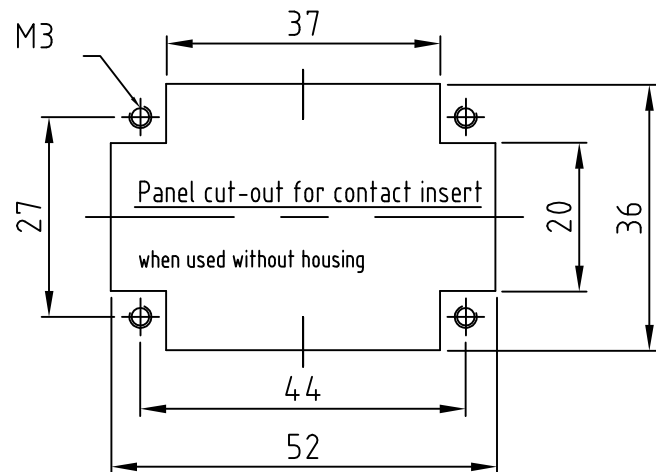
Printing 1-6 Screw



NOTES:

- SUITABLE CRIMP CONTACTS: SERIES HE/HA  
OUTER DIMENSIONS OF INSULATION: MAX. Ø3,2 MM
  - SUITABLE HOOD SIZE 3: SERIES HB; HD; HIP; EMV  
SUITABLE INSERTION AND EXTRACTION TOOL:  
SCREWDRIVER 0,5x3 DIN 5264
  - Strip length: Screw connection 10mm  
Spring clamp connection 10mm Crimp connection 7.5mm
  - STANDARDS:  
DIN EN 61984; DIN EN 60664-1
- ⚠ PACKAGING:  
5 SETS IN A CARTON, PRE-MOUNTED
- ⚠ SPECIAL PACKAGING: Krauss-Maffei  
PACKAGING UNIT: 150 PIECES

QTY	DESCRIPTION	MATERIAL	COLOR	ITEM NO. POS.	NOTES SURFACE
4	fixing screw	steel	nickel plated	8	M3x10
6	contact spring clamp	brass	silver plated	7	
6	contact socket screw termination	brass	gold plated	6	
6	contact socket screw termination	brass	silver plated	5	
1	cover spring clamp version		light grey	4	
1	cover crimp version		light grey	3	
1	cover screw version		light grey	2	
1	socket insert		light grey	1	



HE.6.Bu.S.KM	HE.6.Bu.S-AU	HE.6.Bu.SC	HE.6.Bu.C	HE.6.Bu.S-T	HE.6.Bu.S	DESCRIPTION	MATERIAL	COLOR	ITEM NO. POS.	NOTES SURFACE
4	4	4	4	4	4	fixing screw	steel	nickel plated	8	M3x10
		6				contact spring clamp	brass	silver plated	7	
					6	contact socket screw termination	brass	gold plated	6	
					6	contact socket screw termination	brass	silver plated	5	
		1				cover spring clamp version		light grey	4	
			1			cover crimp version		light grey	3	
				1		cover screw version		light grey	2	
					1	socket insert		light grey	1	

THIS DRAWING IS A CONTROLLED DOCUMENT.  
DIESE ZEICHNUNG IST EIN KONTROLLIERTES DOKUMENT.

DIMENSIONS: MASSEINHEITEN: mm

TOLERANCES UNLESS OTHERWISE SPECIFIED: ALLGEMEINTOLERANZEN

0 PLC ± 0.150 0.015  
1 PLC ± 0.150 0.015  
2 PLC ± 0.150 0.015  
3 PLC ± 0.150 0.015  
4 PLC ± 0.150 0.015  
ANGLES / WINKEL ± 0.150 0.015

MATERIAL: FINISH/OBERFLÄCHE/FARBE

DWN 12.02.1999  
Gräf

CHK 18.02.1999  
Schweiger

APVD - NAME

PRODUCT SPEC PRODUKTSPEZ.

APPLICATION SPEC VERARBEITUNGSSPEZ.

SIZE A3 CAGE CODE 00779 DRAWING NO ZEICHNUNGS-NR. C=1103635 RESTRICTED TO NUR FUER

WEIGHT GEWICHT

CUSTOMER DRAWING/KUNDENZEICHNUNG SCALE MASSSTAB 1:1 SHEET BLATT 1 von 1 REV A10