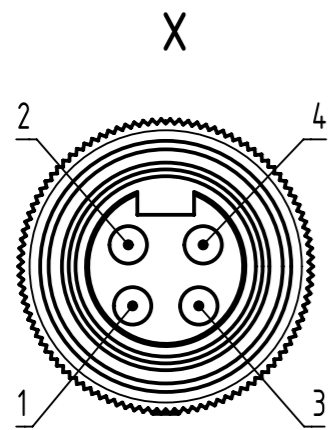
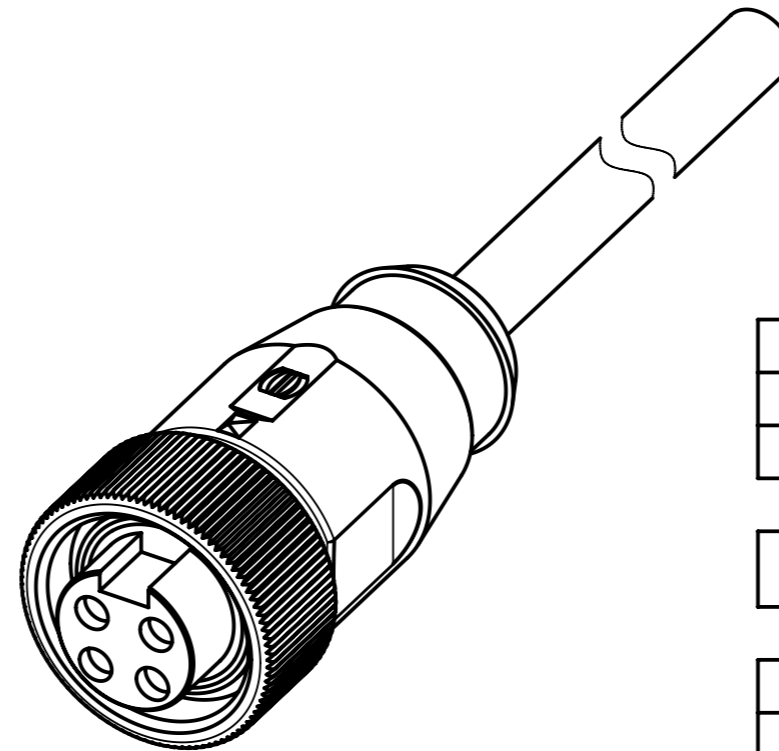


7/8" 4-poles, female straight connector



Loading-Plan:

- 1 — brown
- 2 — white
- 3 — blue
- 4 — black



- Protection level: IP67  
 - Temperature range: -25°C ... +80°C

length in "1m" step	100	XXX=000
	99	XXX=990
	.	.
	12	XXX=120
length in "0.1m" step	11	XXX=110
	10	XXX=100
	9.9	XXX=099
	9.8	XXX=098
	.	.
	0.4	XXX=004
	0.3	XXX=003
	0.2	XXX=002
	0.1	XXX=001
Step	a [m]	XXX

4.0 to 100	+1%
0.1 to 3.9	+0.04
a [m]	Tolerance

Part no.	213497004XXXXX
----------	----------------

Type of cable	XX
PVC grey, 4x1.5mm <sup>2</sup>	XX=95
PUR black, 4x1.5mm <sup>2</sup>	XX=96

All rights reserved Department EC PD - RO HARTING Electronics GmbH D-32339 Espelkamp	All Dimensions in mm Original Size DIN A3	Scale 1.5:1	Free size tol.	Ref. Sub.
	Created by TAMAS Inspected by AVRAM Standardisation HOFFMANN Date 2014-07-01 State Final Release	Title 7/8 Cable Assembly Type TB Number 213497004XXXXX	Doc-Key / ECM-Nr. 100580920/UGD/009/A 50000076597	Rev. A Page 1/1