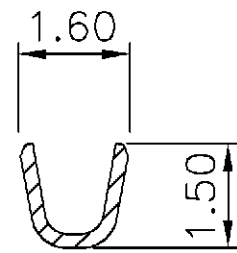
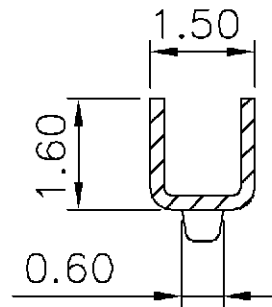


SEC: A-A



SEC: B-B



SEC: C-C

NOTE:

- MATERIAL :
TERMINAL : PHOSPHOR BRONZE, T=0.20mm.
- FINISH:
TERMINAL : 60u" MIN TIN PLATED ON CONTACT AREA.
20u" MIN. NICKEL UNDERPLATED OVER ALL.
- QUALIFICATION TEST REPORT: 501-57218.

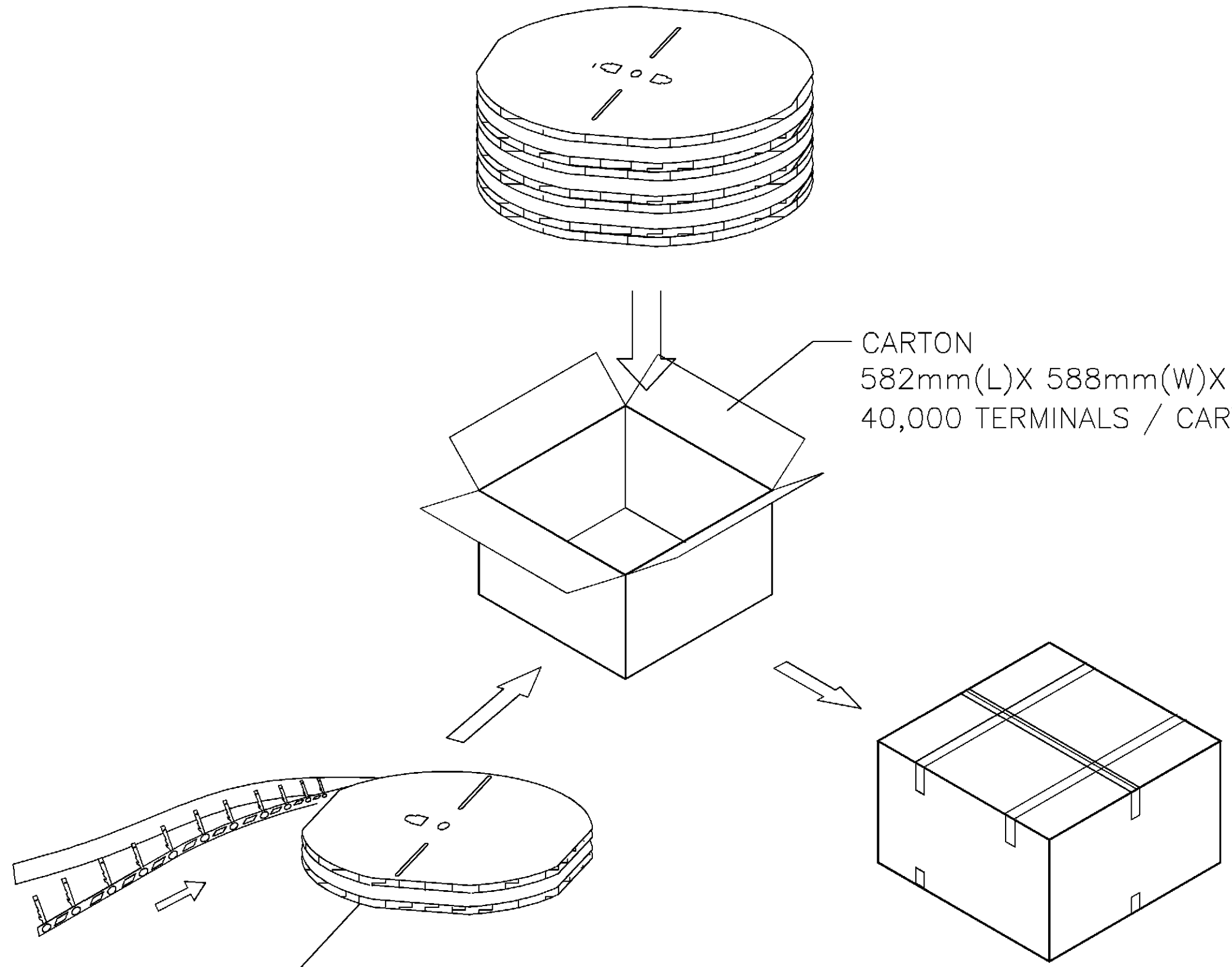
1470106-1
PART NUMBER

PRINT DIST	REVISION	ECN	BY	DATE
DW	REVISED	FZ00-0183-03	OH/AW	18AUG 2003
	FIRST RELEASED	FZ00-0049-02	OH/JC	06MAR 2002
	REVISION RECORD	ECN	DWN/CHK	DATE

DIMENSION : 0 PLC ± 1 PLC ±0.30 2 PLC ±0.20 3 PLC ±0.10 ANGLES ±	DWN O. HU 12-AUG-2003	 TYCO HOLDINGS (BERMUDA) VII LTD. TAIWAN BRANCH
MATERIAL SEE NOTE	CHK A. WU 12-AUG-2003	
FINISH SEE NOTE	APVD J. CHENG 12-AUG-2003	NAME 2.0 MM PITCH CRIMP CONTACT
	PRODUCT SPEC 108-57217	LOC DW SCALE --
	APPLICATION SPEC 114-57D13	SIZE A ₃ DRAWING NO C-1470106 SHEET 1 OF 2
	WEIGHT	REV A

THIS INFORMATION IS CONFIDENTIAL AND IS DISCLOSED TO YOU ON CONDITION THAT NO FURTHER DISCLOSURE IS MADE BY YOU TO OTHER THAN AMP PERSONNEL WITHOUT WRITTEN AUTHORIZATION FROM AMP (TAIWAN) LTD. DIMENSIONS IN MILLIMETERS. DO NOT SCALE PRINT.

PRINT DIST DW



REEL
 DIAMETER: $\phi 580\text{mm}$.
 10,000 TERMINALS / REEL

CARTON
 582mm(L)X 588mm(W)X 112mm(H)
 40,000 TERMINALS / CARTON

DIMENSION : 0 PLC \pm 1 PLC \pm 2 PLC \pm 3 PLC \pm ANGLES \pm	DWN	O. HU		TYCO HOLDINGS (BERMUDA) VII LTD. TAIWAN BRANCH			
	CHK	A. WU		NAME	2.0 MM PITCH CRIMP CONTACT		
MATERIAL	APVD	J. CHENG	PRODUCT SPEC	LOC	SIZE	DRAWING NO	REV
SEE NOTE	12-AUG-2003	12-AUG-2003		DW	A ₃	C-1470106	A
FINISH	APPLICATION SPEC	WEIGHT	SCALE	SHEET		2 OF 2	
SEE NOTE			--				

SEE SHEET 1.	ECN	DWN	CHK	DATE
LTR	REVISION RECORD			