

Specifications

Material

Insulator: PA66, UL 94V-0, Black
 Contact: Phosphor Bronze, $\varnothing=0.46\text{mm}$

Plating

See Ordering Grid

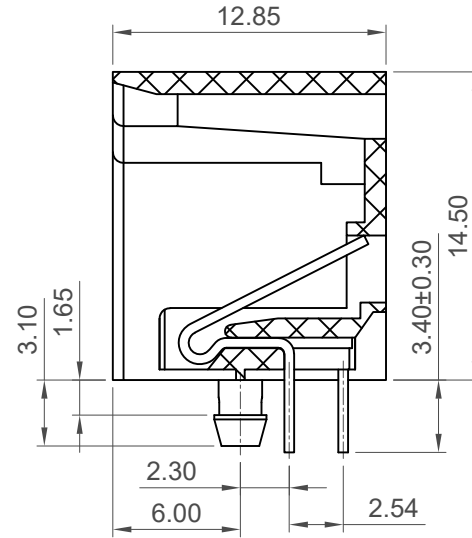
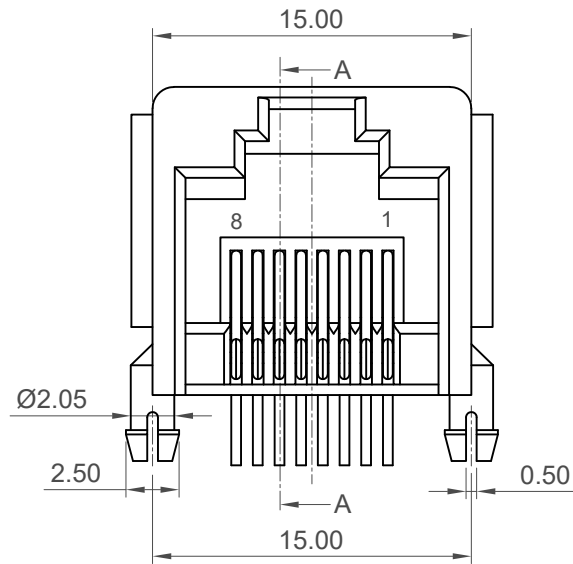
Electrical

Current Rating : 1.5 Amp
 Current Voltage : 125V AC RMS
 Contact Resistance : 20 m Ω max.
 Insulation Resistance: 1000 M Ω min.@500V DC
 Dielectric Withstand Voltage :
 1000VAC RMS 60Hz, 1min.

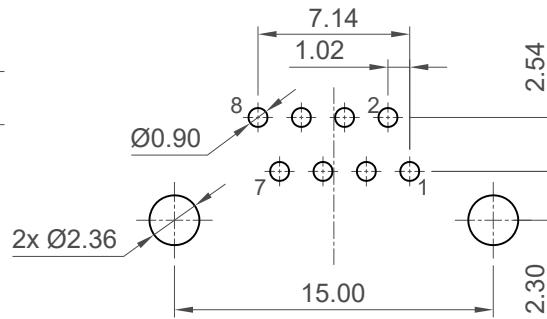
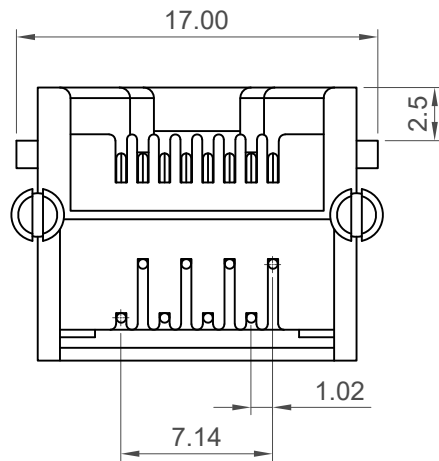
Mechanical & Environmental

Storage Temperature : -40°C to +85°C,
 Relative Humidity <80%
 Operation Temperature : -40°C to +85°C
 Operating Life : 750 Cycles Min.
 Mating/Unmating Force: 30N Max.
 Retention Strength: 50N for 60s \pm 5s
 Mates With Modular Plug Conforming To FCC Part 68, Subpart F

Wave Soldering Temperature: 245°C \pm 5°C, 5s



Section A-A



Recommended PCB Layout

Tolerance : $\pm 0.05\text{mm}$
 Thickness: 1.60mm

Ordering Grid

MJ3225 — **88** — **0** Request Samples and Quotation

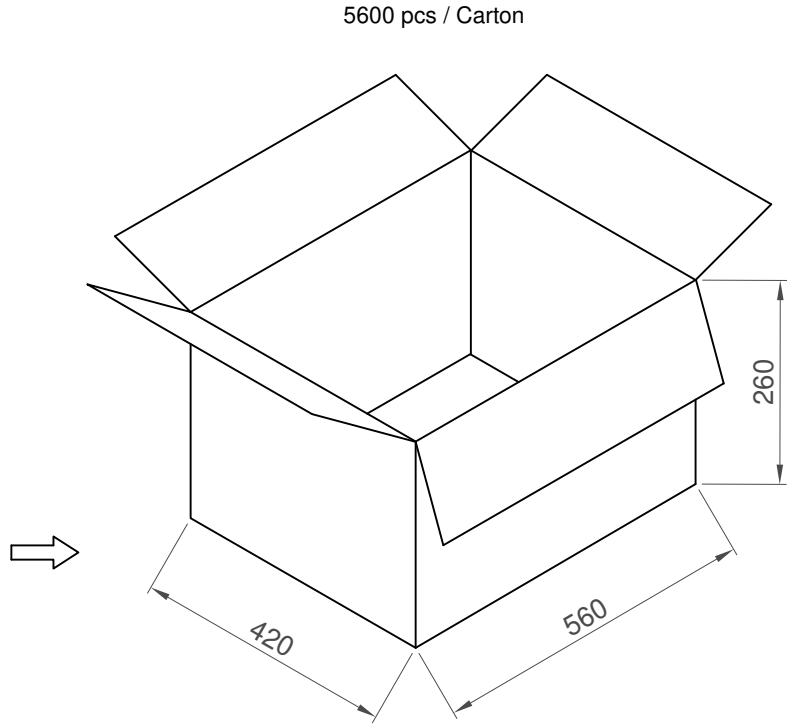
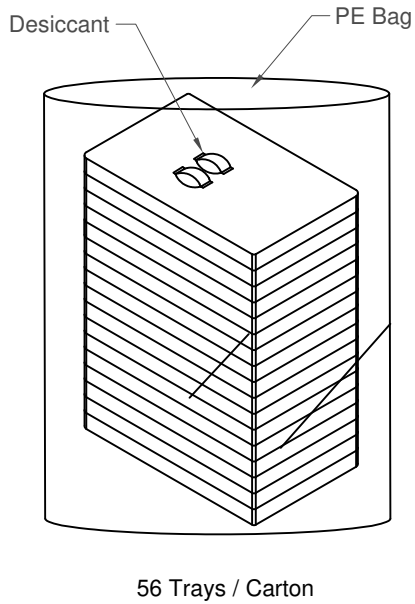
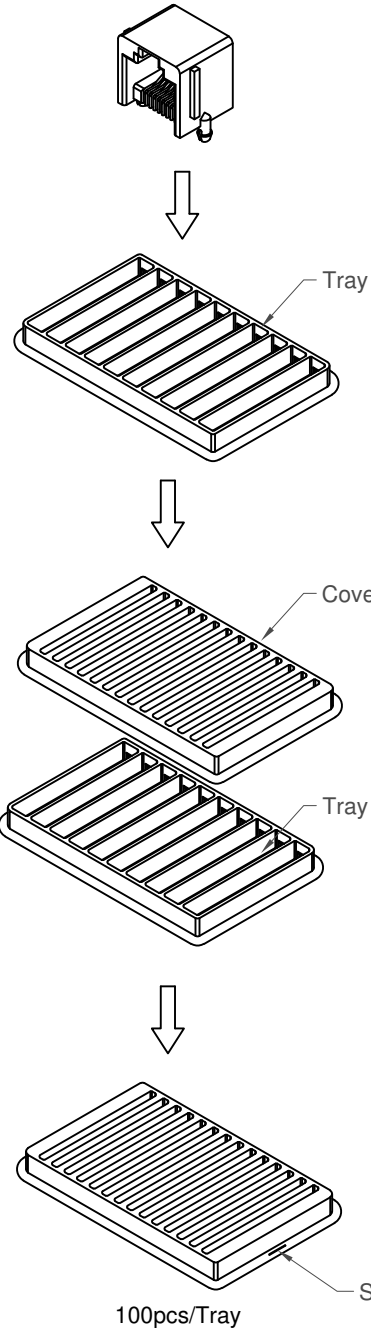
No. of Positions/
Positions Loaded
88 = 8/8

Contact Plating
0 = Gold Flash

Part Number MJ3225-88		Product Description Modular Jack Connector, 8 Position, Category 3, Right Angle, Through Hole, Standard Profile, Inverted Latch			This drawing is confidential and copyright of Global Connector Technology, Ltd (GCT). This drawing must not be copied or disclosed without written consent. E & OE
Drawing Date 19th March 2021		Units: Metric (mm)			
By CC	Tolerances (Except as Noted)				
Detail Drawing Release	Length X.X \pm 0.25	Angle X.XX \pm 0.20			
Revision A	X.XXX \pm 0.10				
Date 22/03/21	± 0.5°				Not to Scale Drawn By CC
				Sheet No. 1/1	



H
G
F
E
D
C
B
A



Pcs/Tray	Trays/Carton	Total Quantity
100	56	5600 pcs

Part Number		Product Description	
MJ3225-88		Modular Jack Connector, 8 Position, Category 3, Right Angle, Through Hole, Standard Profile, Inverted Latch	
Drawing Date		19th March 2021	
By	CC	Tolerances (Except as Noted)	Units:
Detail	Drawing Release	Length	Metric (mm)
Revision	A	X.X ± 0.25	 RoHS COMPLIANT 2011/65/EU Deca-SIDE
Date	22/03/21	X.XX ± 0.20	
		X.XXX ± 0.10	± 0.5° 3rd Angle Projection



Not to Scale	Drawn By CC	Sheet No. 1/1
--------------	----------------	------------------

1 2 3 4 5 6 7 8