

4

3

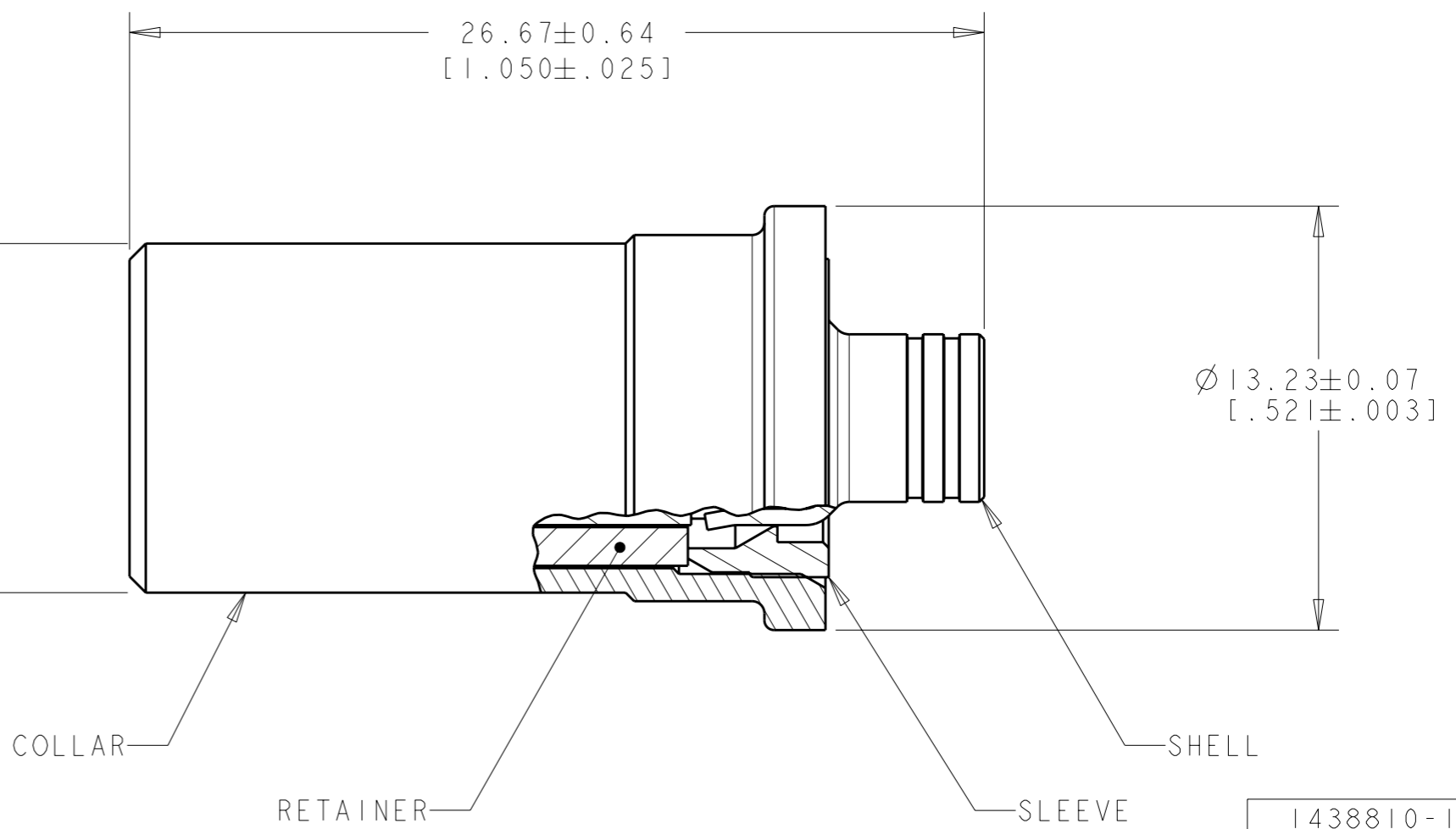
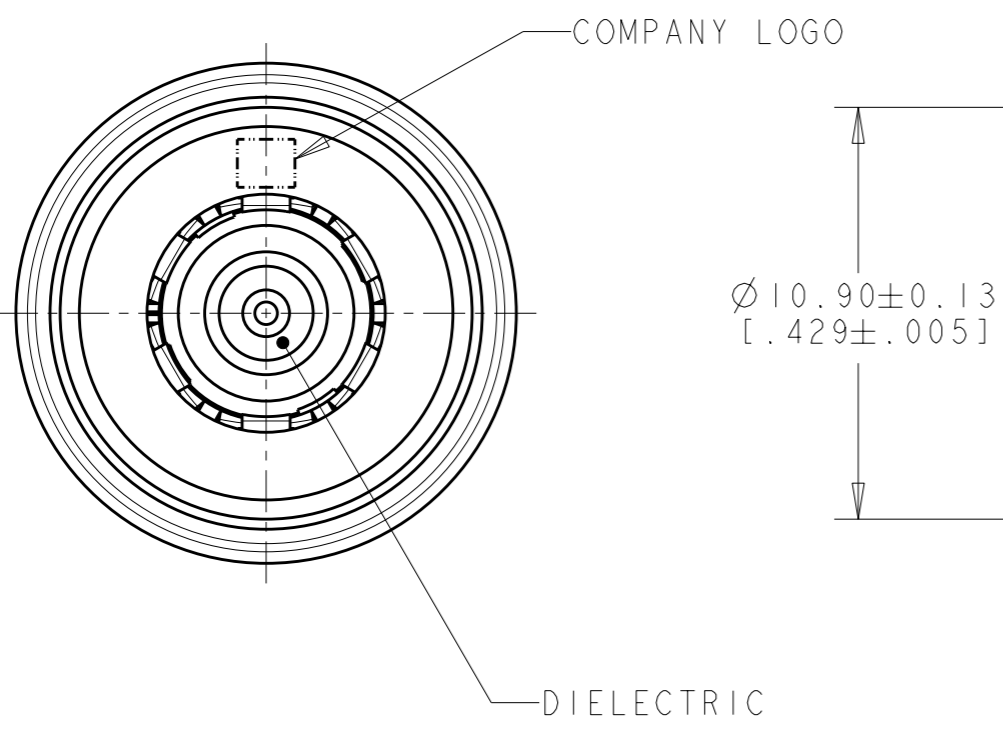
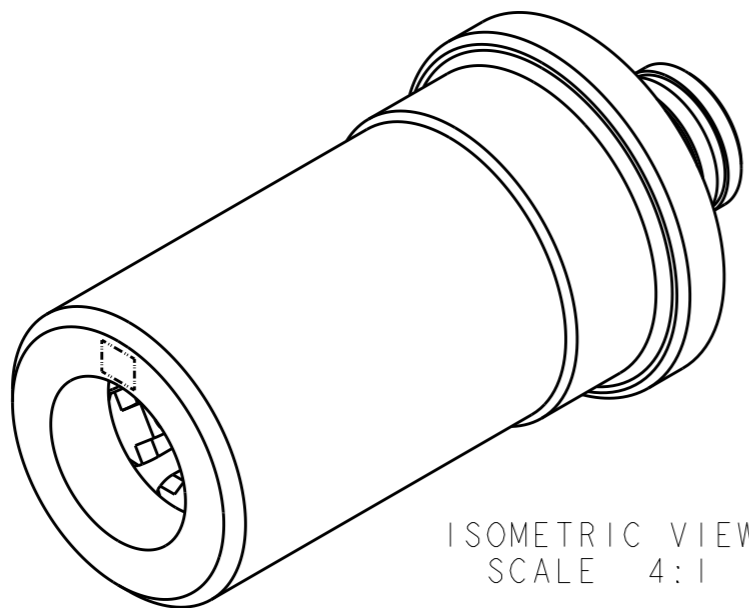
2

1

THIS DRAWING IS UNPUBLISHED. RELEASED FOR PUBLICATION 20

© COPYRIGHT 20 BY TYCO ELECTRONICS CORPORATION. ALL RIGHTS RESERVED.

LOC	DIST	REVISIONS					
		P	LTR	DESCRIPTION	DATE	DWN	APVD
IN	00		I	PRELIMINARY PER OK40-348-04	05OCT2004	DJH	LLV
			O	RELEASED PER EC OK40-0004-05	07JAN2005	DLD	LLV
			A	REVISED PER EC OK41-0032-05	14JAN2005	KP	LLV
			B	REVISED PER ECO-10-013915	06JUL2010	DLD	LLV



1438810-1
PART NUMBER

- 1 COLLAR, RETAINER AND SLEEVE: PBT, BLACK.
DIELECTRIC: POLYMETHYLPENTENE, NATURAL.
SHELL: PHOSPHOR BRONZE.
- 2 SHELL: 2.54µm [.000100] MIN TIN OVER
1.27µm [.000050] MIN NICKEL.

<small>THIS DRAWING IS A CONTROLLED DOCUMENT FOR TYCO ELECTRONICS CORPORATION IT IS SUBJECT TO CHANGE AND THE CONTROLLING ENGINEERING ORGANIZATION SHOULD BE CONTACTED FOR THE LATEST REVISION.</small>		DWN 20SEP2004 D. J. HARDY CHK 20SEP2004 J. W. HALL APVD 20SEP2004 J. W. HALL		Tyco Electronics Harrisburg, PA 17105-3608	
DIMENSIONS: mm [INCHES]		TOLERANCES UNLESS OTHERWISE SPECIFIED: 0 PLC ±- 1 PLC ±- 2 PLC ±- 3 PLC ±- 4 PLC ±- ANGLES ±-		NAME PLUG SUB-ASSEMBLY, SNAP-LOCK	
MATERIAL 1		FINISH 2		PRODUCT SPEC - APPLICATION SPEC - WEIGHT -	
		CUSTOMER DRAWING		SIZE A3 CAGE CODE 00779 DRAWING NO C-1438810 RESTRICTED TO -	
		SCALE 5:1		SHEET 1 OF 1 REV B	