

Single relay - SIM-ERSN - 2271484

Please be informed that the data shown in this PDF Document is generated from our Online Catalog. Please find the complete data in the user's documentation. Our General Terms of Use for Downloads are valid (<http://phoenixcontact.com/download>)



Plug-in socket, for pluggable miniature switching relays, miniature relays or miniature optocouplers, for soldering onto the PCB.



Key commercial data

Packing unit	1 pc
Weight per Piece (excluding packing)	4.24 GRM
Custom tariff number	85389099
Country of origin	Germany

Technical data

Dimensions

Hole diameter	1.3 mm
Pitch	5 mm

General

Nominal voltage U_N	250 V
Nominal current I_N	10 A (1-pos.) 2x 10 A (2-pos.)
Test voltage	5 kV AC
Color	black

Classifications

eCl@ss

eCl@ss 4.0	27371190
eCl@ss 4.1	27371190
eCl@ss 5.0	27371692

Single relay - SIM-ERSN - 2271484

Classifications

eCl@ss

eCl@ss 5.1	27371692
eCl@ss 6.0	27371001
eCl@ss 7.0	27371001
eCl@ss 8.0	27371001

ETIM

ETIM 2.0	EC000196
ETIM 3.0	EC000196
ETIM 4.0	EC000196
ETIM 5.0	EC002043

UNSPSC

UNSPSC 6.01	30211916
UNSPSC 7.0901	39121515
UNSPSC 11	39121515
UNSPSC 12.01	39121515
UNSPSC 13.2	39121515

Approvals

Approvals


Approvals

GOST

Ex Approvals

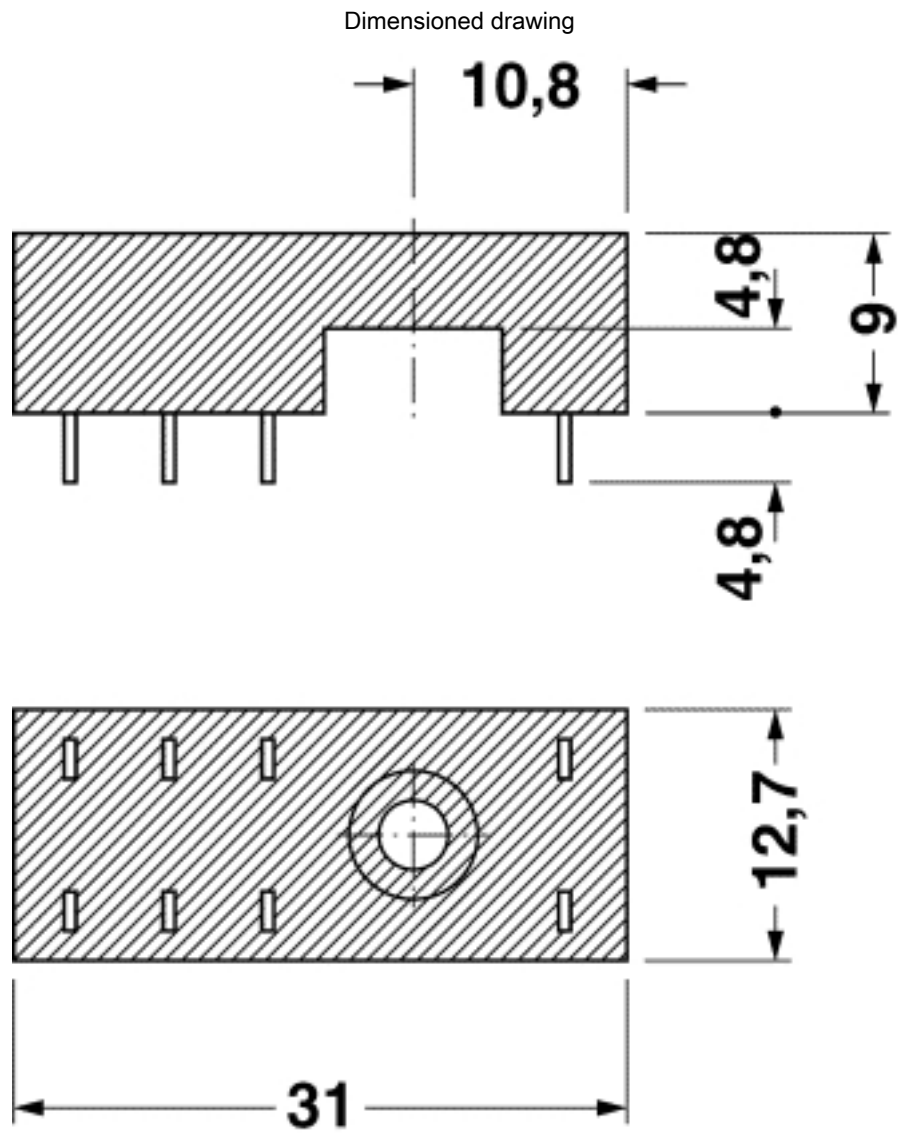
Approvals submitted

Approval details

GOST 
--

Drawings

Single relay - SIM-ERSN - 2271484



Single relay - SIM-ERSN - 2271484

Drilling diagram

