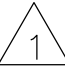

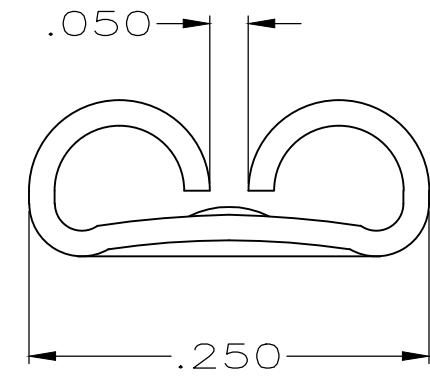
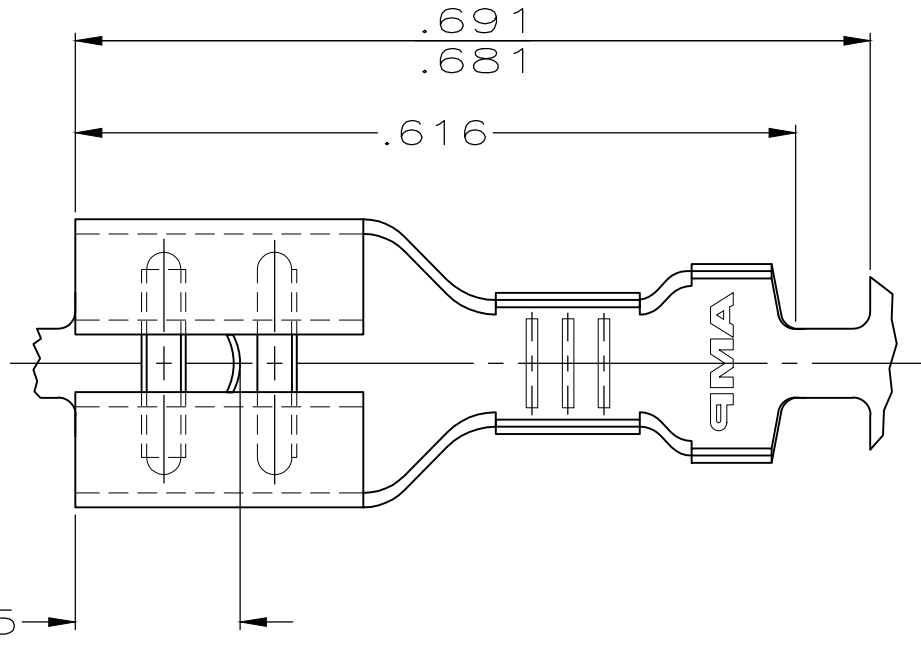


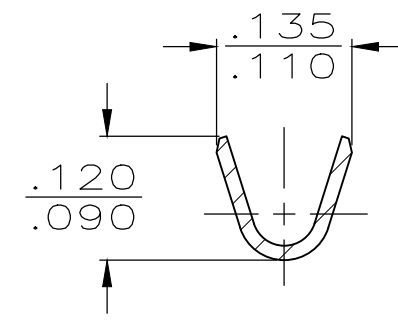
THIS DRAWING IS UNPUBLISHED. RELEASED FOR PUBLICATION  
 © COPYRIGHT - By - ALL RIGHTS RESERVED.

LOC	DIST	REVISIONS			
P	LTR	DESCRIPTION	DATE	DWN	APVD
AF	50	V1	REVISED PER ECR-19-009695	08JUL2019	BDA DH

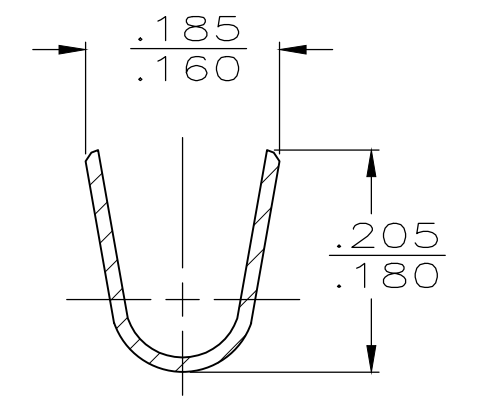
-  1 BRASS
-  2 TEMPER 3 PHOS BRONZE



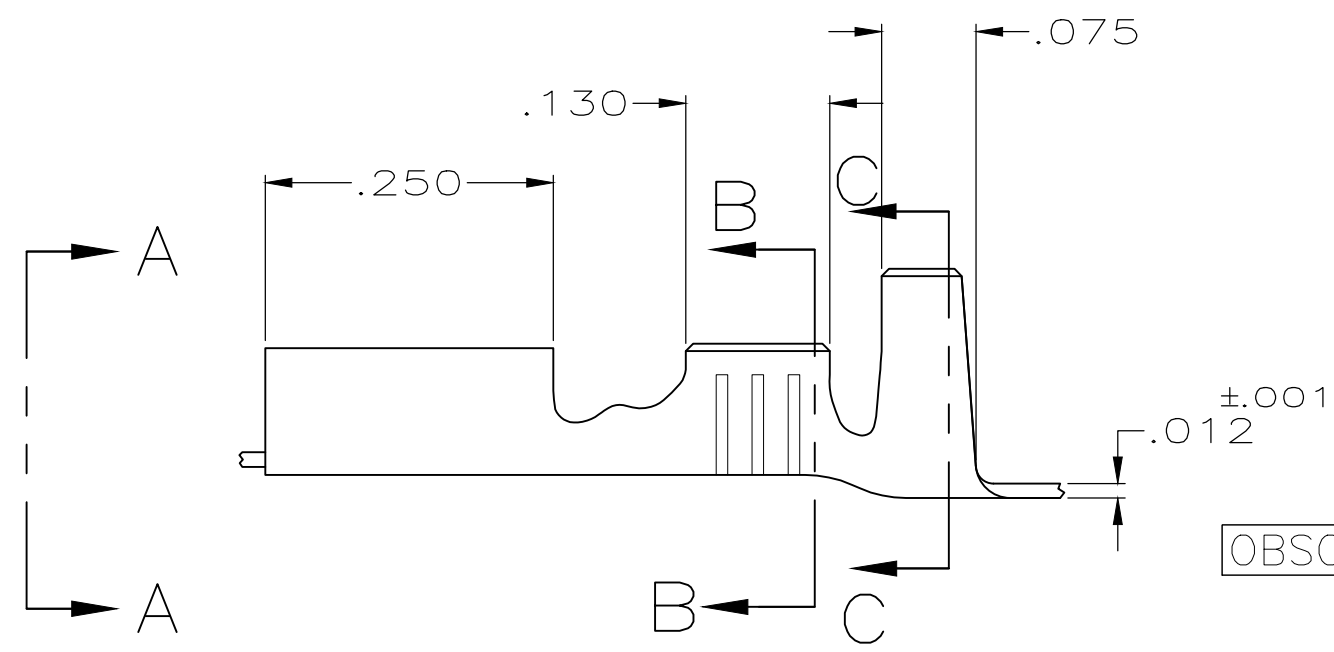
VIEW A-A



SECT. B-B


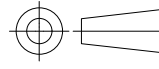


SECT. C-C



OBSOLETE

 2 TIN	.085-.125 DIA	#22-#18 AWG	-42198-3 42198-2 42198-1
 1 TIN			
 1 NONE			
MATERIAL & FINISH	INSULATION RANGE	WIRE SIZE	PART NO.

THIS DRAWING IS A CONTROLLED DOCUMENT.		DWN JR RUTH 8/16/95	 TE Connectivity		
DIMENSIONS: INCHES		CHK MS FEHER 8/16/95			
TOLERANCES UNLESS OTHERWISE SPECIFIED:		APVD P DESANTIS 8/16/95	NAME RECEPTACLE, FASTON, .205 SERIES		
 <ul style="list-style-type: none"> <li>0 PLC ± -</li> <li>1 PLC ± -</li> <li>2 PLC ± -</li> <li>3 PLC ± .015</li> <li>4 PLC ± -</li> <li>ANGLES ± ± -</li> </ul>		PRODUCT SPEC -	RESTRICTED TO -		
MATERIAL SEE TABLE		APPLICATION SPEC -	SIZE A3	CAGE CODE 00779	DRAWING NO C-42198
FINISH SEE TABLE		WEIGHT -	CUSTOMER DRAWING		SCALE 6:1
			SHEET 1 OF 1		REV V1