

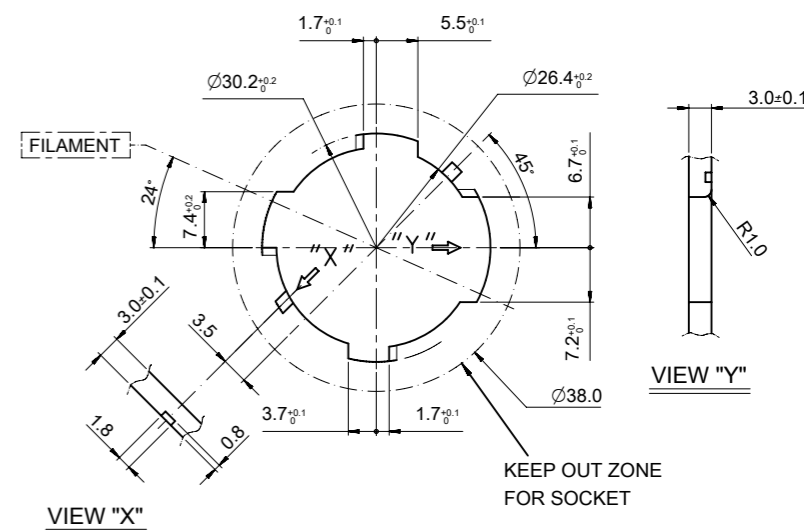
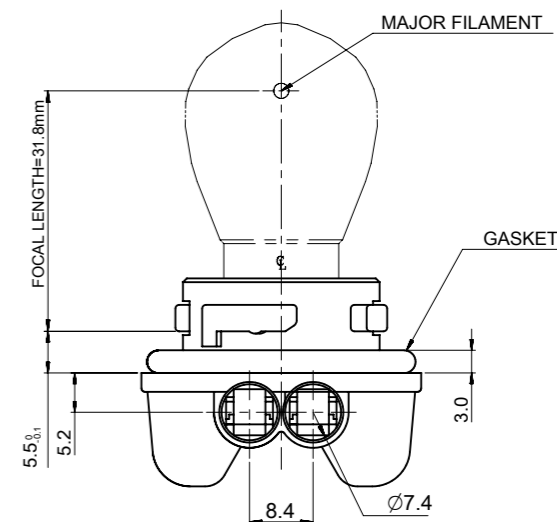
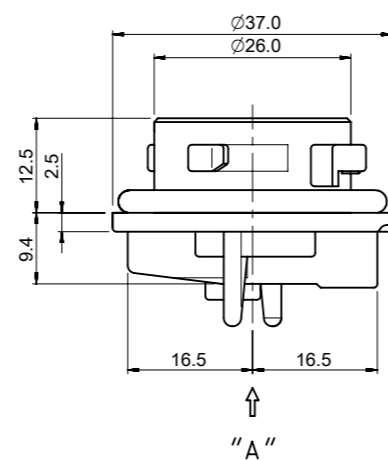
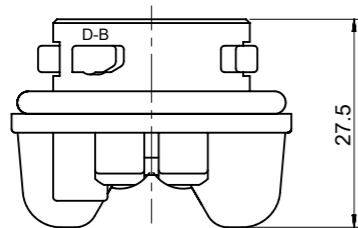
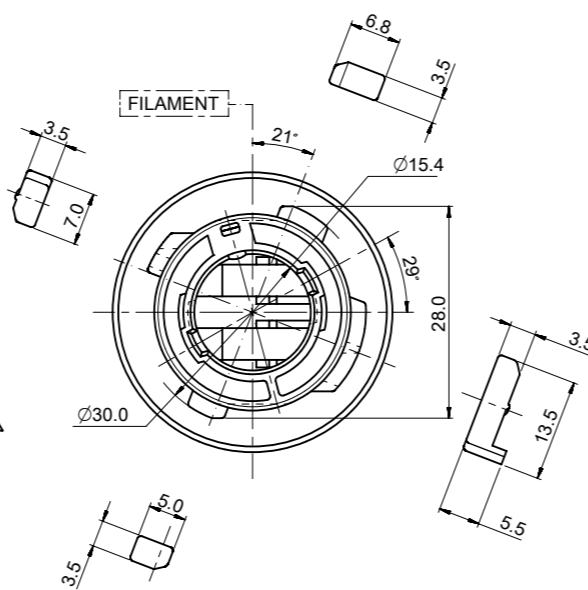
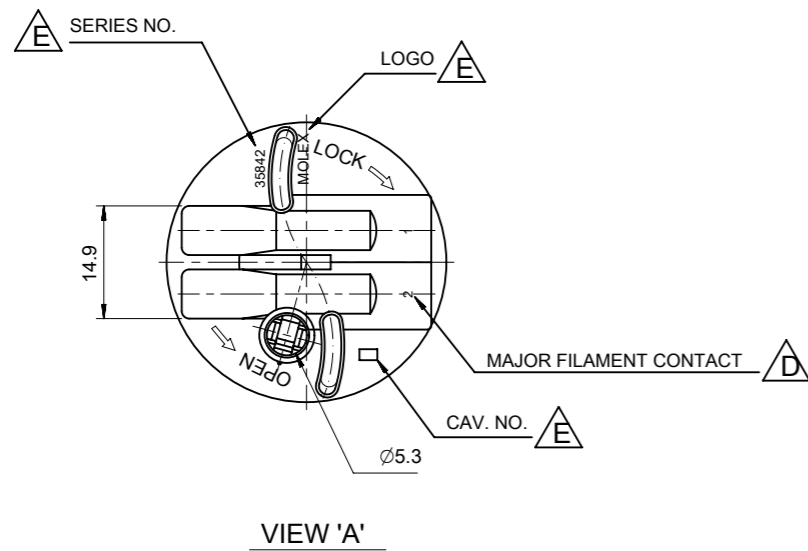
NOTES

1. FOCAL LENGTH = 31.8mm
2. PRODUCT SPECIFICATION: PS-35842-001
3. APPLICABLE BULB CAP: P21/5W(BAY15d)
4. MATES WITH

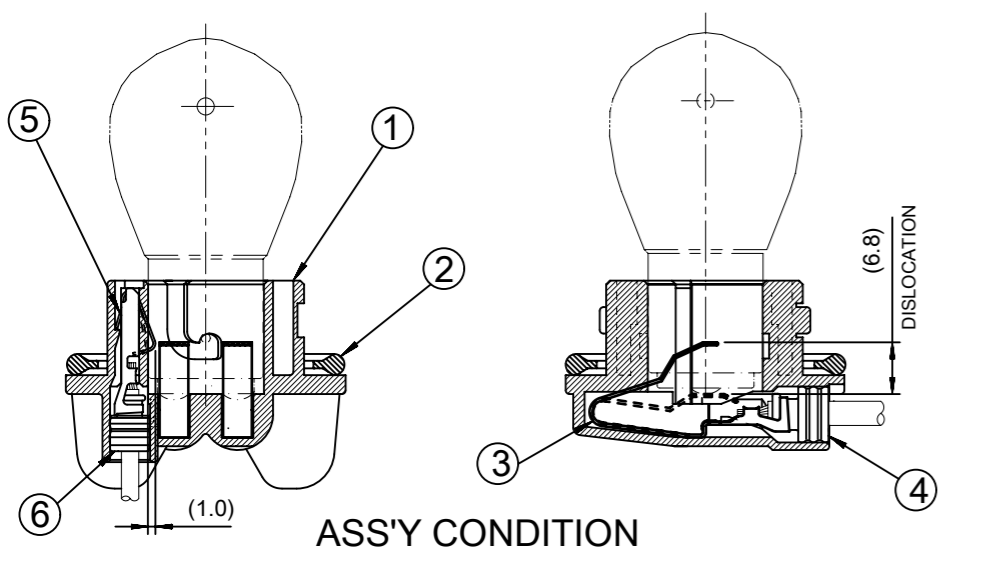
NO.	DESCRIPTION	MATERIAL	ORDER NO.	REMARK
③	POSITIVE TERMINAL	PHOSPHOR BRONZE	35464-8000	UNPLATED
④	POSITIVE WIRE SEAL	SILICONE	35903-0096	BROWN
⑤	EARTH TERMINAL	PHOSPHOR BRONZE	35465-8000	UNPLATED
⑥	EARTH WIRE SEAL	SILICONE	35903-0106	BLUE

<PART LIST>

NO.	DESCRIPTION	MATERIAL	USAGE	REMARK
①	DOUBLE SOCKET	PA66 M/F	1	B TYPE
②	SEAL GASKET	NBR	1	BLACK



MOUNTING INTERFACE (MI-1)



ASS'Y CONDITION

<TABLE 1>

MATERIAL NO.	ORDER NO.	COLOR
358421315	35842-1315	GRAY
358421316	35842-1316	WHITE

THIS DRAWING CONTAINS INFORMATION THAT IS PROPRIETARY TO MOLEX ELECTRONIC TECHNOLOGIES, LLC AND SHOULD NOT BE USED WITHOUT WRITTEN PERMISSION											
DIMENSION UNITS		SCALE		CURRENT REV DESC:							
mm		1:1									
GENERAL TOLERANCES (UNLESS SPECIFIED)				EC NO: 624787		DRWN: RPRABHUM		2019/05/21		<b>SEALED PT BULB SOCKET DOUBLE HOUSING ASS'Y (B-TYPE)</b>	
4 PLACES ±		±		CHK'D: GGA		2019/11/11					
3 PLACES ±		±		APPR: GGA		2019/11/11		<b>PRODUCT CUSTOMER DRAWING</b>			
2 PLACES ±		0.15 ±		INITIAL REVISION:							
1 PLACE ±		0.25 ±		DRWN: YSIKKIM		1999/06/08		DOCUMENT NUMBER: <b>SD-35842-002</b>			
0 PLACES ±		±		APPR: CWLEE		1999/06/09					
ANGULAR TOL ± 2.0°				DRAWING		SERIES		MATERIAL NUMBER		CUSTOMER	
DRAFT WHERE APPLICABLE MUST REMAIN WITHIN DIMENSIONS				THIRD ANGLE PROJECTION		A3-SIZE		35842		SEE TABLE 1	
GENERAL TOLERANCES (UNLESS SPECIFIED)		ANGULAR TOL ± 2.0°		DRAWING		SERIES		MATERIAL NUMBER		CUSTOMER	
4 PLACES ±		±		A3-SIZE		35842		SEE TABLE 1		GENERAL MARKET	