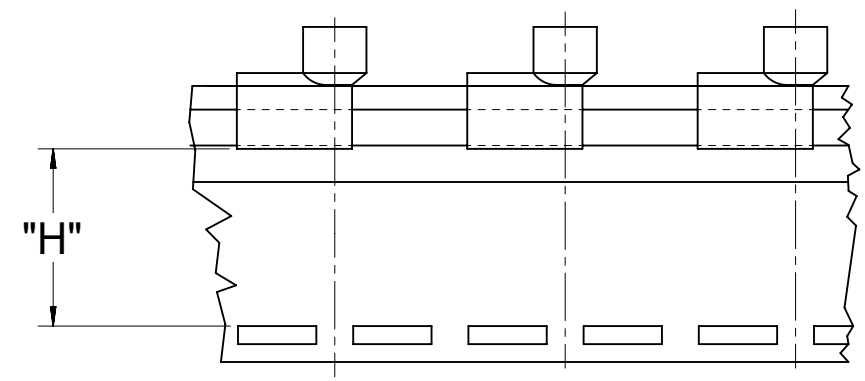
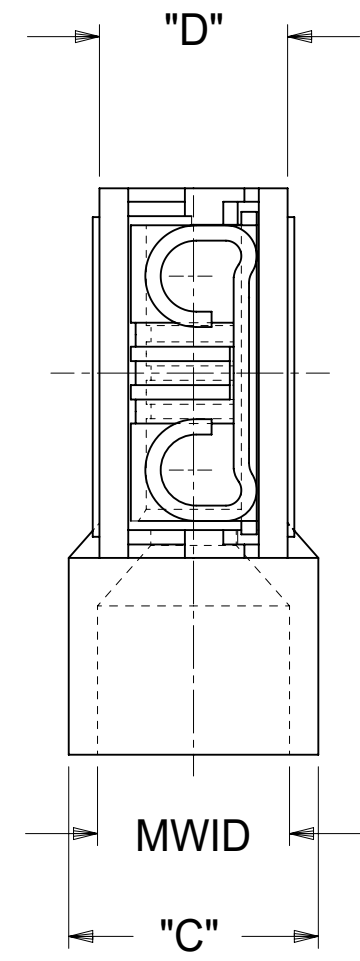
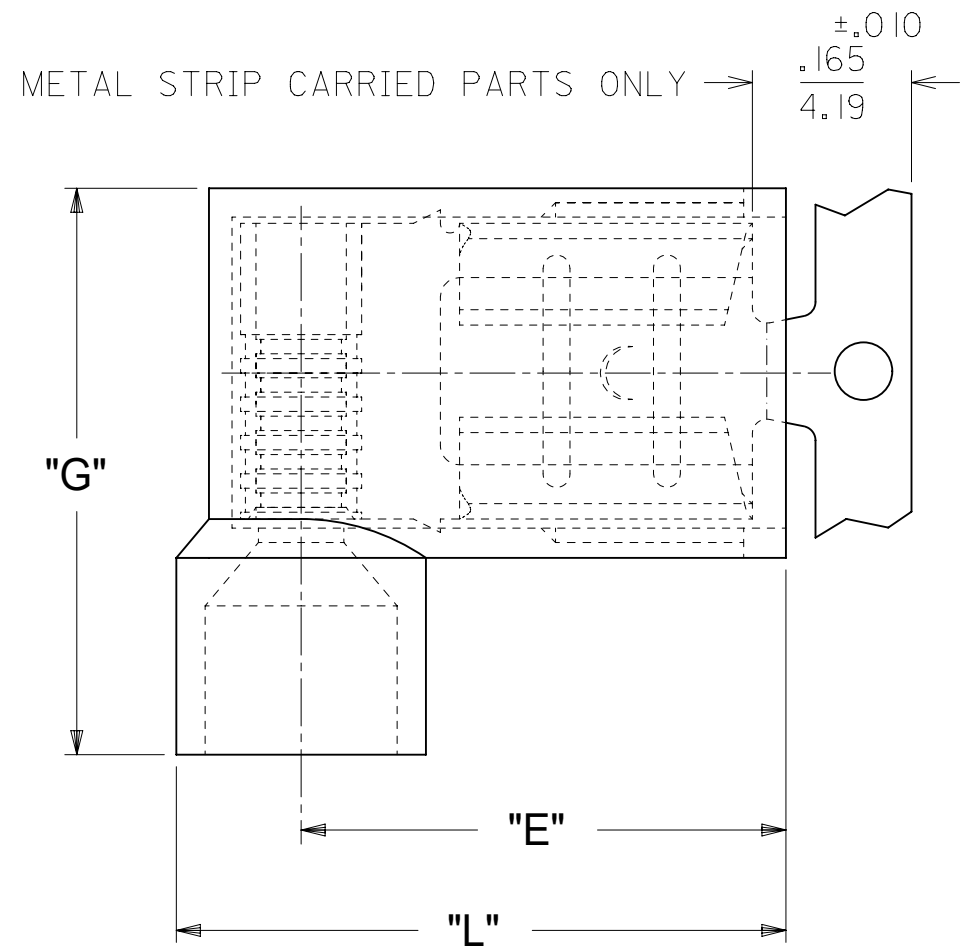


LOOSE PIECE		METAL STRIP CARRIED		MYLAR TAPE CARRIED		FEATURES			DIMENSIONS						
MATERIAL NUMBER	ENGINEERING NUMBER	MATERIAL NUMBER	ENGINEERING NUMBER	MATERIAL NUMBER	ENGINEERING NUMBER	AWG	COLOR	FITS TAB SIZE	MWID	L ± .015 / 0.38	G ± .015 / 0.38	E ± .015 / 0.38	C ± .015 / 0.38	D ± .015 / 0.38	H ± .02 / 0.5
190070001	AA-2220	190070008	AA-2220Z	190070004	AA-2220T	22-18	RED	.250x.032/6.35x0.81	.176/4.47	.630/16.00	.585/14.86	.512/13.00	.236/5.99	.197/5.00	.93/23.6
190070021	BB-2221	190070028	BB-2221Z	190070024	BB-2221T	16-14	BLUE	.250x.032/6.35x0.81	.200/5.08	.630/16.00	.585/14.86	.500/12.70	.260/6.60	.197/5.00	.93/23.6
190070040	C-2211	190070041	C-2211Z	190070053	C-2211T	12-10	YELLOW	.250x.032/6.35x0.81	.260/6.60	.667/16.93	.677/17.20	.511/12.98	.311/7.90	.246/6.25	.97/24.6



NOTE(S):  
 1. MWID = MAX. WIRE INSULATION DIA.  
 2. MATERIAL:  
     HOUSING: NYLON  
     TERMINAL: TIN-PLATED BRASS  
 3. ASSEMBLY IS RoHS COMPLIANT.

(D1)

THIS DRAWING CONTAINS INFORMATION THAT IS PROPRIETARY TO MOLEX ELECTRONIC TECHNOLOGIES, LLC AND SHOULD NOT BE USED WITHOUT WRITTEN PERMISSION											
DIMENSION UNITS <b>INCH/MM</b>		SCALE <b>5:1</b>		CURRENT REV DESC: REMOVE STOP SIGN INFO "PRE-RELEASE REFERENCE USE ONLY"							
GENERAL TOLERANCES (UNLESS SPECIFIED)				<b>molex</b>  FLAG QUICK DISCONNECT, FULLY INSULATED, .250 X .032 TAB SIZE  PRODUCT CUSTOMER DRAWING							
	MM	INCH									
4 PLACES	±		±								
3 PLACES	±		± 0.005								
2 PLACES	±	0.13	± 0.01								
1 PLACE	±	0.25	±								
0 PLACES	±		±								
ANGULAR TOL ± 0.5°				EC NO: 692915 DRWN: DMYRICK 2022/01/20 CHK'D: JMACNEIL 2022/01/21 APPR: JMACNEIL 2022/01/21				INITIAL REVISION: DRWN: EHILE 2006/12/15 APPR: JMACNEIL 2006/12/15			
DRAFT WHERE APPLICABLE MUST REMAIN WITHIN DIMENSIONS		THIRD ANGLE PROJECTION		DRAWING <b>B-SIZE</b>		SERIES <b>19007</b>		MATERIAL NUMBER SEE TABLE		CUSTOMER GENERAL MARKET	
DOCUMENT STATUS		P1		RELEASE DATE		2022/01/21 17:18:54		DOCUMENT NUMBER <b>SD-19007-004</b>		DOC TYPE PSD	
								DOC PART 001		REVISION D1	
								SHEET NUMBER 1 OF 1			