

NOTES:

1. MATERIALS AND FINISHES:

- BODY - BRASS, NICKEL PLATING
- CONTACT - BeCu, GOLD PLATING
- INSULATOR - PTFE, NATURAL

2. ELECTRICAL:

- A. IMPEDANCE: 50 OHM
- B. FREQUENCY RANGE: 0-4 GHz
- D. DIELECTRIC WITHSTANDING VOLTAGE: 1000 VRMS, MIN.

3. MECHANICAL:

- A. DURABILITY: 500 CYCLES MIN.
- B. TEMPERATURE RANGE: -65° C TO +165° C

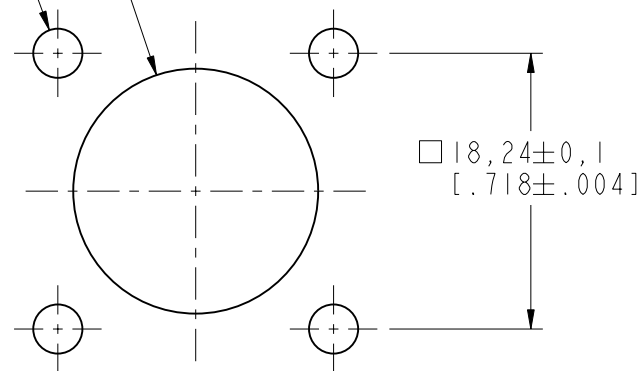
4- $\varnothing$ 3,25 $\pm$ 0,05  
[.128 $\pm$ .002]

$\varnothing$ 16,2 $\pm$ 0,1  
[.638 $\pm$ .004]

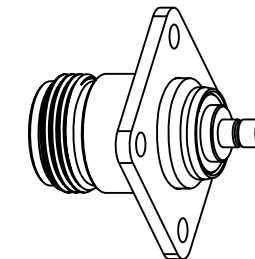
THIRD ANGLE PROJ.

REVISIONS

REV	DESCRIPTION	DATE	ECO	APPR
NC	INITIAL RELEASE	02-Feb-04	-----	GRS
B	SYNC, REDRAWN IN THE PRO/E	08-Jun-17	04006	SH

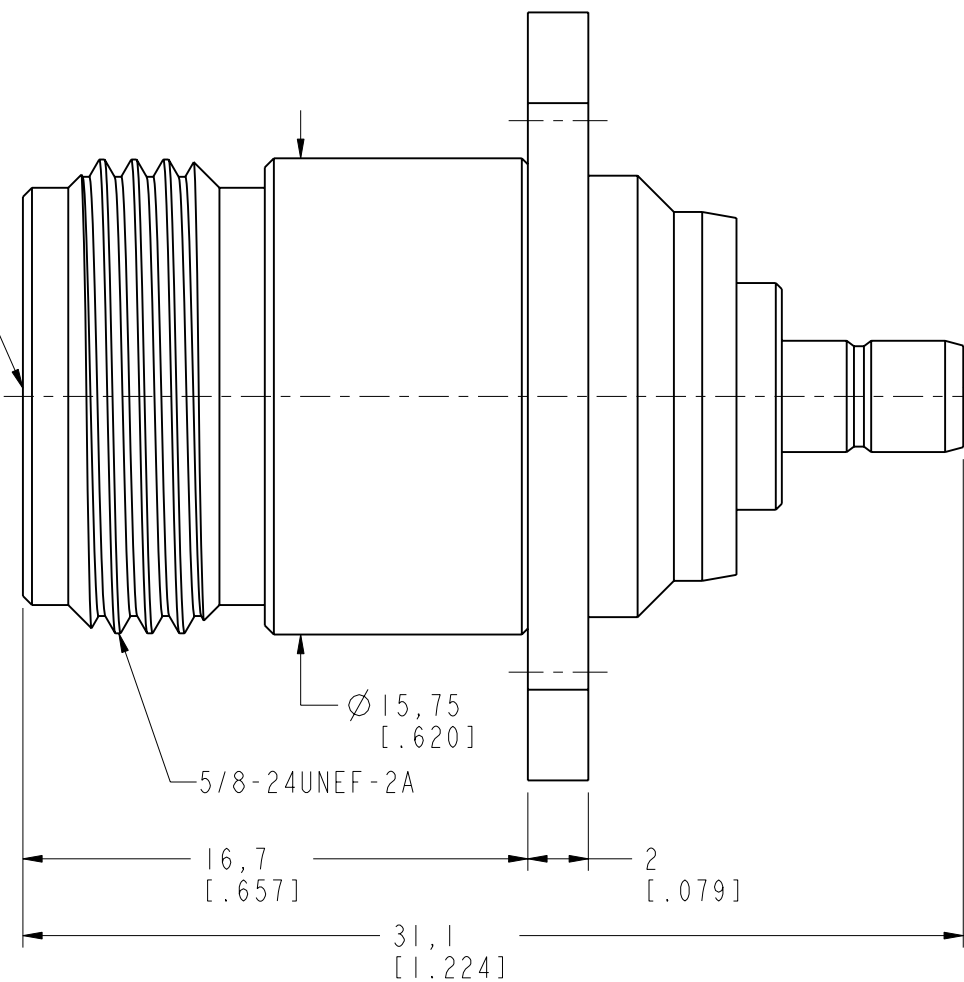


RECOMMENDED MOUNTING HOLE  
SCALE 2.000

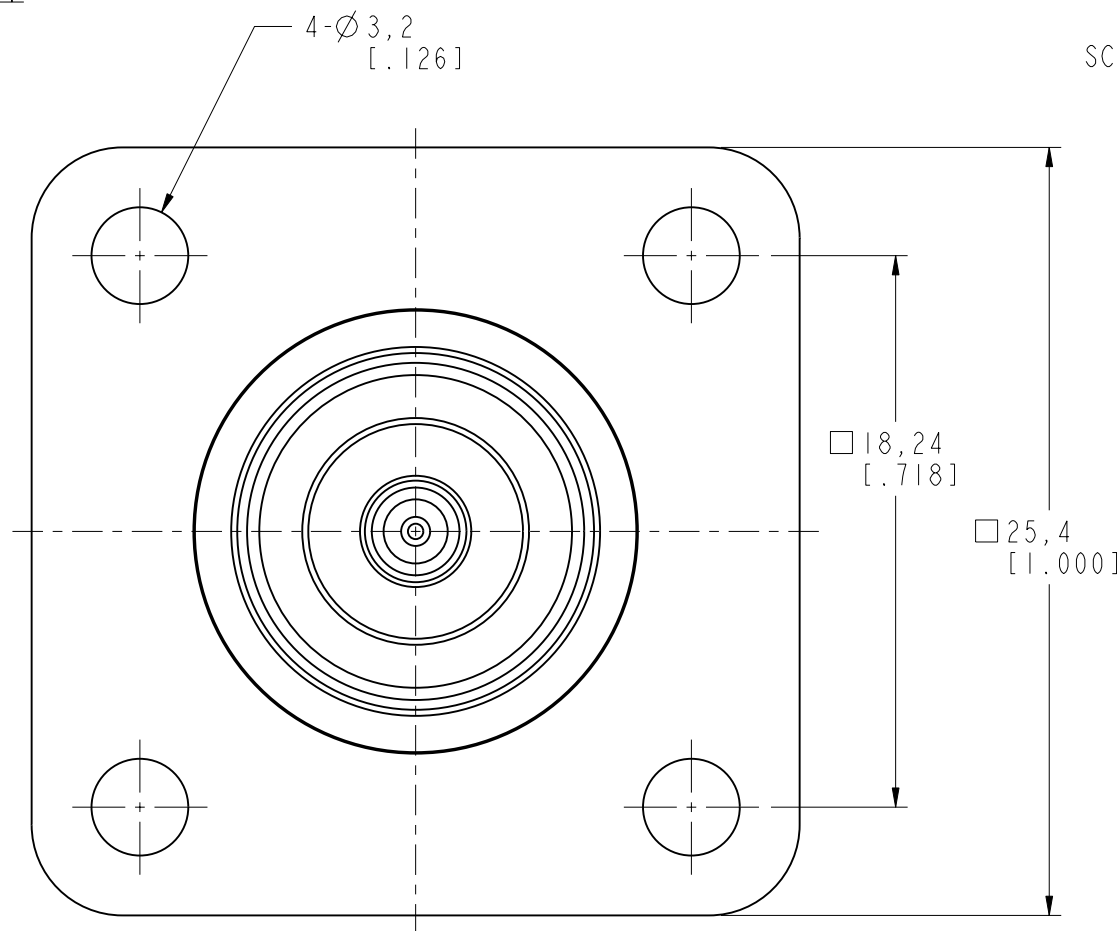


SCALE 1.000

INTERFACE PER MIL-STD-348 SERIES: N JACK



INTERFACE PER MIL-STD-348 SERIES: SMB JACK



**CUSTOMER OUTLINE DRAWING**

ALL OTHER SHEETS ARE FOR INTERNAL USE ONLY

UNLESS OTHERWISE SPECIFIED, DIMENSIONS ARE IN METRIC AND TOLERANCES ARE:  
 <0.5mm ±0.05mm    0.5 - 6mm ±0.1mm    6 - 30mm ±0.2mm    30 - 120mm ±0.3mm    ANGLES ±1°

NOTICE - These drawings, specifications, or other data (1) are, and remain the property of Amphenol corp. (2) must be returned upon request; and (3) are confidential and not to be disclosed to any person other than those to whom they are given by Amphenol Corp. the furnishing of these drawings, specifications, or other data by Amphenol Corp., or to any other person to anyone for any purpose is not to be regarded by implication or otherwise in any manner licensing, granting rights to permitting such holder or any other person to manufacture, use or sell any product, process or design, patented or otherwise, that may in any way be related to or disclosed by said drawings, specifications, or other data.

MATERIAL	
REFERENCE AND CONFIGURATION LEVEL:	
FINISH	

DRAWN M. ZHANG	DATE 08-Jun-17
ENGINEER S. HSIEH	DATE 23-Aug-04
APPROVED S. HSIEH	DATE 08-Jun-17
CAD FILE	

TITLE N FEMALE TO SMB MALE ADAPTER	
SCALE: 4.0:1.0	SHEET 2 OF 2
DWG SIZE B	REV B

Amphenol RF www.amphenolrf.com	
DRAWING NO. NF-SMBM3-NT30G-50	
ITEM NO.	03F-12MI-NC-5-F
PART NO.	242198