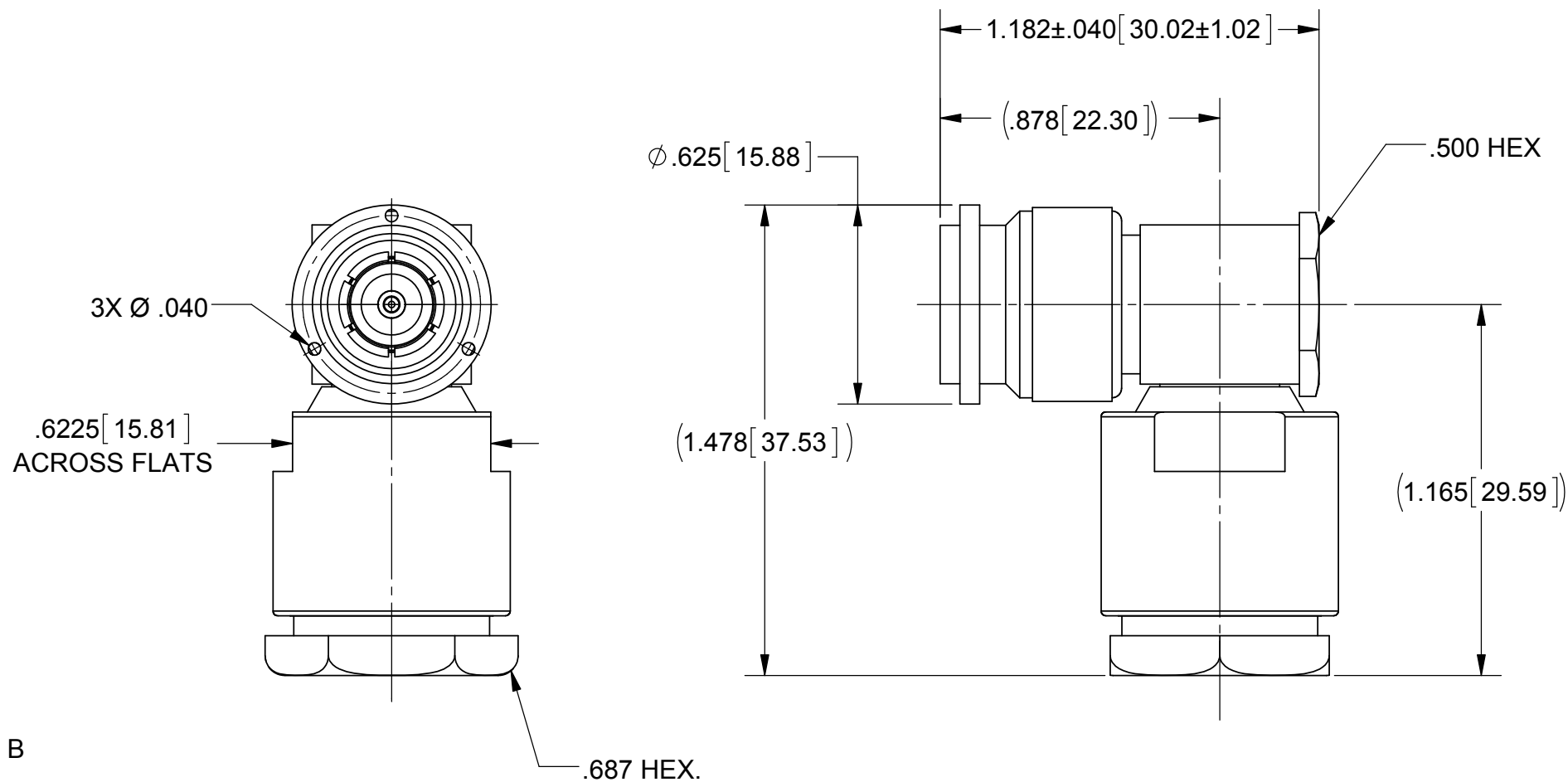
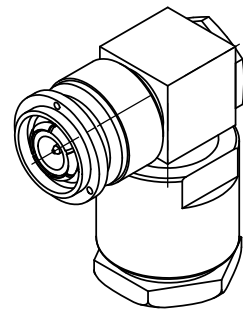


PRODUCT DATA DRAWING

REVISION HISTORY			
REV	DESCRIPTION	DATE	APPROVED
-	DCN 41583	08/15	BNK



MATERIAL:

OUTER CONTACT: BERYLLIUM COPPER PER ASTM B194, ALLOY No. UNS C17200

BODIES, CENTER CONTACT, SLEEVE, COUPLING NUT, CLAMP NUT, WASHER, CLAMP & CAP: BRASS PER ASTM B16, ALLOY UNS No. C36000

INSULATORS: PTFE PER ASTM D1710, TYPE I, GRADE 1, CLASS B

GASKETS & O-RING: SILICONE RUBBER PER A-A-59588, CLASS 2B, GRADE 50/60

LOCK RING: PHOSPHOR BRONZE PER ASTM-B 159, ALLOY 51000, TEMPER H08

WASHER: BRASS PER ASTM B36 ALLOY C26000, H02

FINISH:

BODY ASSEMBLY, OUTER CONTACT, SLEEVE, WASHER, COUPLING NUT, CLAMP NUT, WASHER, CLAMP & CAP: SILVER PER ASTM B700, TYPE 1, GRADE D, CLASS S WITH TARNISHING PROTECTION.

CENTER CONTACT: GOLD PER ASTM B488, TYPE II, CODE C, CLASS .76, OVER NICKEL PER AMS-QQ-N-290, CLASS 1, .00005" MIN.

PERFORMANCE:

IMPEDANCE: 50 OHMS

MATERIAL: SEE NOTES	DIMENSIONS ARE IN INCHES TOLERANCES: FRACTIONAL: ±1/64 ANGULAR: X° ±1'0" X"X' ±15'	UNLESS OTHERWISE SPECIFIED 1) ALL DIMENSIONS ARE IN INCHES (MILLIMETERS) 2) ALL DIMENSIONS ARE AFTER PLATING. 3) BREAK CORNERS & EDGES .005 R. MAX. 4) CHAM. 1ST & LAST THREADS. 5) SURFACE ROUGHNESS 63-MIL-STD-10. 6) DIA.'S ON COMMON CENTERS TO BE CONCENTRIC WITHIN .005 T.I.R. 7) REMOVE ALL BURRS	 2400 Centrepark West Drive, Suite 100 West Palm Beach, FL 33409 TITLE: TNC CUBE R/A PLUG FOR RG9, 87, 214, 225/U CABLE
FINISH: SEE NOTES	DECIMAL: X ±.030 .XX ±.010 .XXX ±.005	INTERPRET DIMENSIONS AND TOLERANCES PER ASME Y14.5M - 1994	
SURFACE AREA: N/A	THIRD ANGLE PROJECTION	DRAWN: GPF 08/18/15	SIZE: B CAGE CODE: 95077 DWG. NO.: 4100-0001
PROPRIETARY THE INFORMATION CONTAINED IN THIS DRAWING IS THE SOLE PROPERTY OF SV MICROWAVE, INC. ANY REPRODUCTION IN PART OR AS A WHOLE WITHOUT THE WRITTEN PERMISSION OF SV MICROWAVE, INC IS PROHIBITED.		CHECKED: BNK 08/18/15	SCALE: 2:1
		APPROVED: BNK 08/18/15	SHEET 1 OF 1