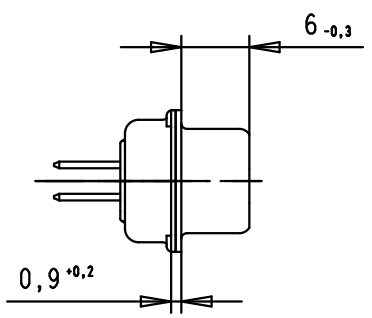
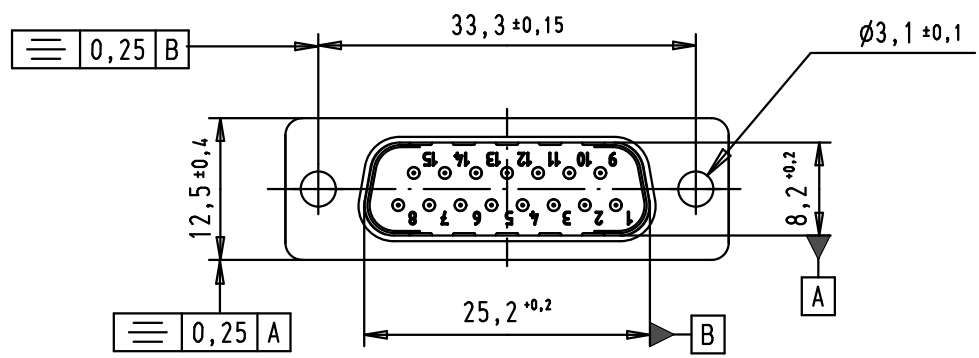
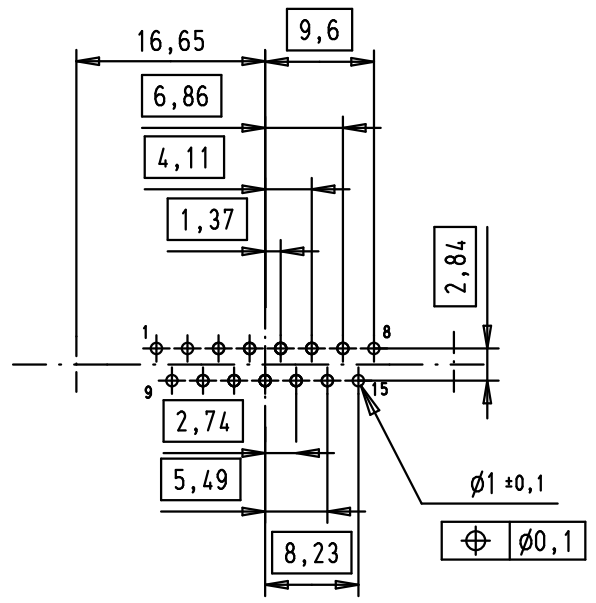
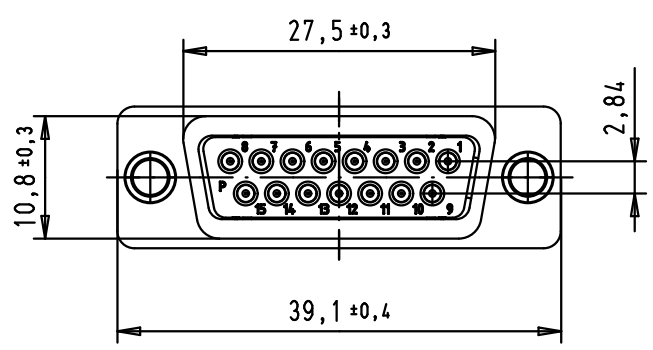
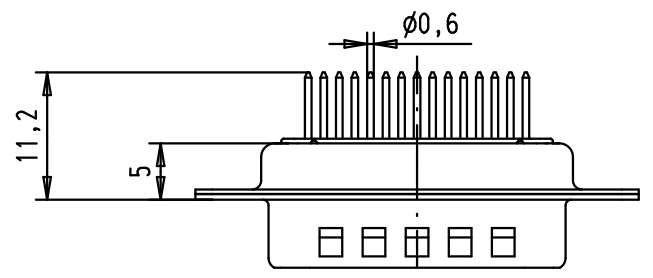


5 4 3 2 1



PCB Layout, Component side

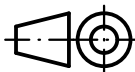


SPECIFICATION

Performance level	PL2
Filter type	C
Capacitance	47pf±20%
Working Voltage	100v
Current Rating	7,5A
Insulation Resistance	>1GΩ

FREQUENCY (MHz)	ATTENUATION dB
5	-
10	-
50	-
100	-
500	30dB
1000	35dB

D
C
B
A

				Dat.	Name	 All Dim. in mm Orig. Size DIN A 4
			Detail.	8-JUL-02	CV	
			Insp.	09/12/11	JB	
			Stand.			
36283	09/12/11	SD				
33267	17/11/05	JMDR				
31058	8-JUL-02	CV				
Mod.	Dat.	Name	HARTING EURL F-95972 Paris			

D-Sub, male, straight,
15 Poles, solder pins,
dimples and fixing holes

Ma?Mstab/
Scale
1.5:1

TB 09642227210

Blatt/ Page
1 / 1

Sub.